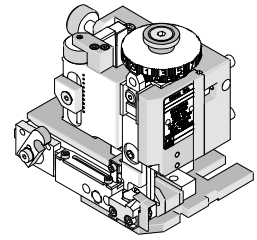




**Mini-Mac
Applicator**

**Application Tooling
Specification Sheet**



Order No. 63895-3200

FEATURES

- Directly adapts to most automatic wire processing machines
- Applicator designed to industry standard mounting and shut height 135.80mm (5.346")
- Quick set-up time; plus the crimp height, track and feed adjustments can be set without removing the applicator from the press
- Fine adjustment allows users to achieve target with little effort by adjusting in increments of .015mm (.0006") for conductor crimp height and .063mm (.0025") for insulation height
- Independent adjustment rings allow users to quickly adjust the conductor or insulation crimp height without affecting each other.

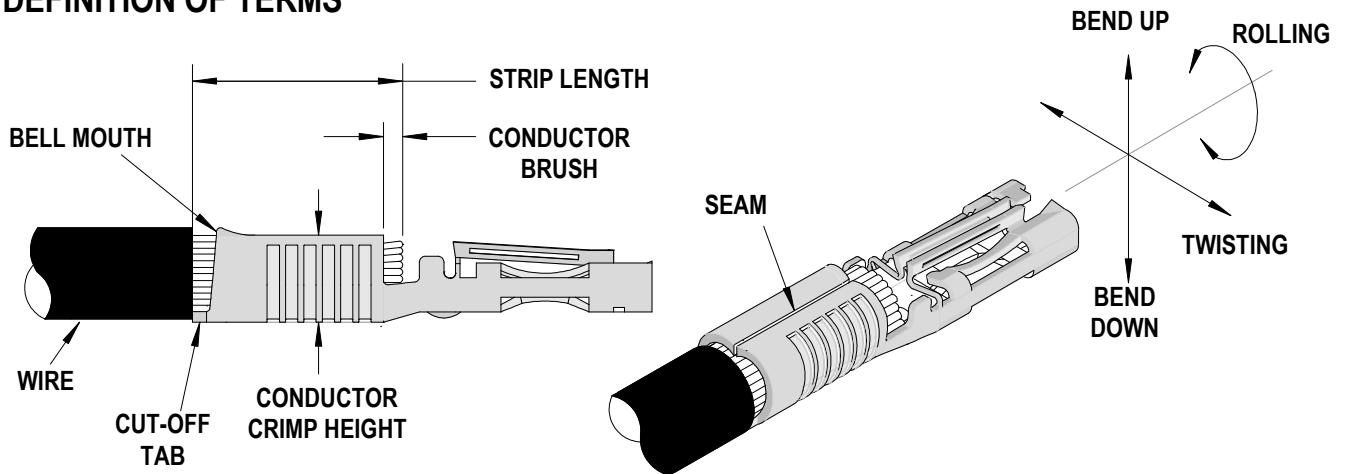
SCOPE

Products: Super Sabre Female Terminal, 10-12 AWG UL1015

Terminal Series No.	Terminal Order No.	Wire Size		Insulation Diameter (Reference)		Strip Length	
		AWG	mm ²	mm	In.	mm	In.
171825	171825-0100	10-12	5.30-3.30	4.00-4.60	.157-.181	7.90-8.30	.311-.327

Note: Oiler (63801-7240) required to crimp terminals. See 63800-4900 FineAdjust Manual.

DEFINITION OF TERMS



CRIMP SPECIFICATIONS

Terminal Series No.	Bell mouth		Cut-off Tab Maximum		Conductor Brush	
	mm	In.	mm	In.	mm	In.
171825	0.60-1.20	.024-.047	0.14	.005	0.50-2.00	.020-.079

Terminal Series No.	Bend up	Bend down	Twist	Roll	Punch Width (Ref)		Seam Seam shall not be open and no wire allowed out of the crimping area
	Degree (Max)		Degree (Max)		Conductor		
					mm	In	
171825	3	3	4	8	3.60	.142	

After crimping, the conductor profile should measure the following.

Terminal Series No.	Wire Size		Conductor Crimp Height		Conductor Crimp Width		Pull Force Minimum	
	AWG	mm ²	mm	In.	mm	In.	N	Lb.
171825	10	5.30	2.33-2.43	.092-.096	3.60-3.80	.142-.150	356.0	80.0
	12	3.30	1.94-2.04	.076-.080	3.60-3.80	.142-.150	311.5	70.0

Tool Qualification Notes:

1. Pull Force should be measured with no influence from the insulation crimp.
2. The above specifications are guidelines to an optimum crimp.
3. Oiler (63801-7240) required to crimp terminals to improve tooling life. See 63800-4900 FineAdjust Manual.

PARTS LIST

Mini-Mac Applicator 63895-3200				
Item	Order No	Engineering No.	Description	Quantity
Perishable Tooling				
	63895-3270	63895-3270	Tool Kit (All "Y" Items)	REF
1	63801-5521	63801-5521	Conductor Punch	1 Y
2	63455-3601	63455-3601	Conductor Anvil	1 Y
3	63443-0037	63443-0037	Front Cut-Off Plunger	1 Y
4	63443-0038	63443-0038	Cut-off Plunger Retainer	1 Y
Other Components				
5	11-18-4083	60707-8	Front Cover	1
6	63443-0009	63443-0009	Scrap Chute	1
7	63443-0024	63443-0024	Lower Tooling Key	1
8	63443-0090	63443-0090	Wire Stop	1
9	63443-1720	63443-1720	19.00mm-Height Spacer	1
10	63443-2207	63443-2207	Course Spacer (7.00mm)	2
11	63443-2301	63443-2301	Fine Spacer (3.05mm)	1
12	63443-6121	63443-6121	Rear Cover	1
13	63466-0504	63466-0504	Plunger Striker	1
14	63600-1290	63600-1290	Washer	1
15	63700-0539	63700-0539	Cut-off Plunger Spring	1
16	63803-5133	63803-5133	Conductor Bushing	1
Frame				
17	63801-3201	63801-3201	Top	1
18	63801-3281	63801-3281	Base	1
19	63801-4650	63801-4650	Track	1
Hardware				
20	N/A	N/A	M3 by 6 Long SHCS	2**
21	N/A	N/A	M3 by 6 Long FHCS	1**
22	N/A	N/A	M4 by 6 Long SHCS	2**
23	N/A	N/A	M4 by 12 Long BHCS	2**
24	N/A	N/A	M4 by 50 Long SHCS	2**
25	N/A	N/A	M5 by 12 Long SHCS	1**
26	N/A	N/A	M8 by 30 Long BHCS	1**
27	N/A	N/A	2mm by 5 Long Dowel Pin	1**
** Available from an industrial supply company such as MSC (1-800-645-7270).				

Assembly Drawing

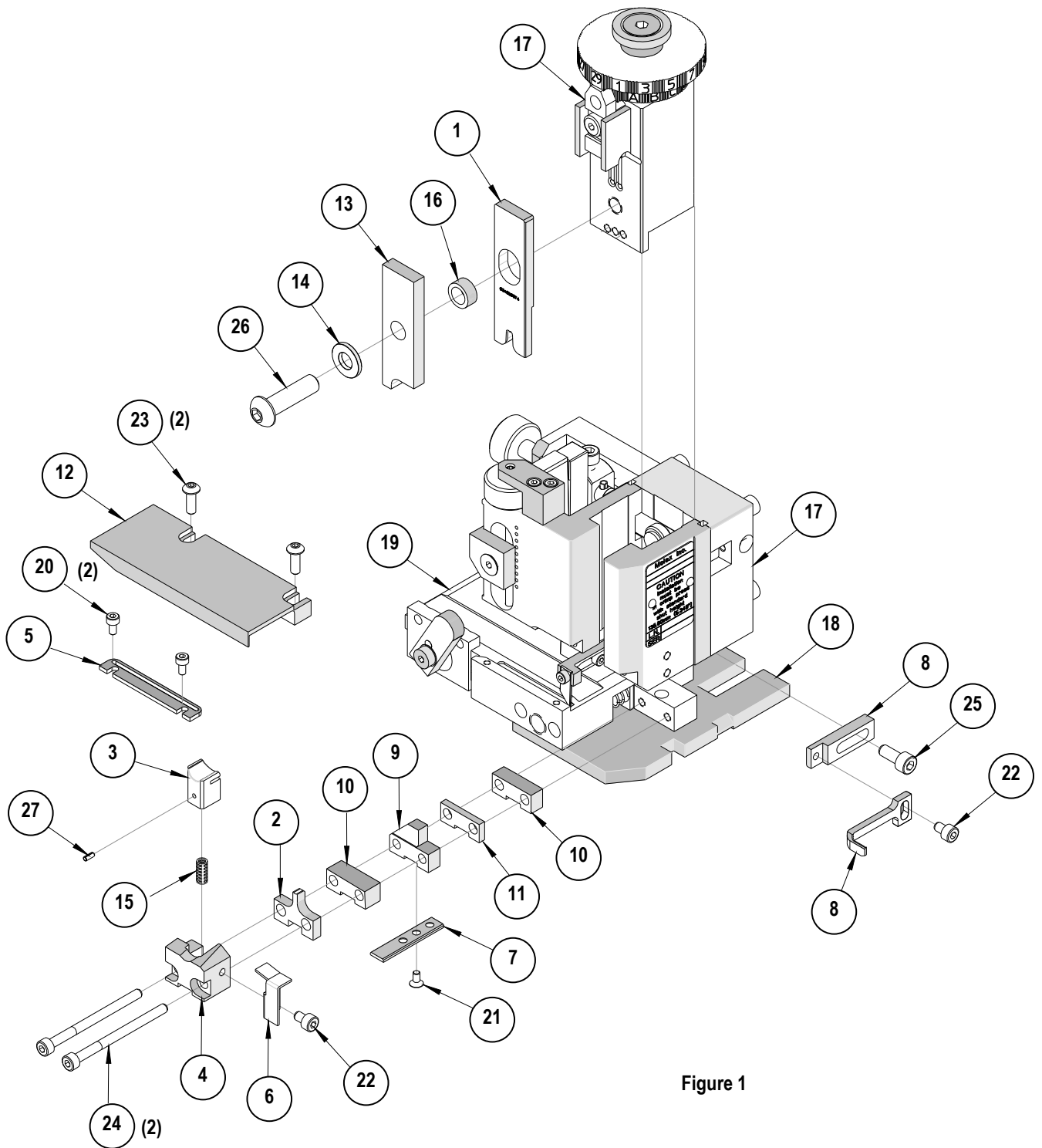


Figure 1

NOTES

1. Molex recommends an extra perishable tooling kit be maintained at your facility.
2. Verify tooling alignment by manually cycling the press and applicator before crimping under power. Check that all screws are tight.
3. Slugs, terminals, dirt, and oil should be kept clear of work area.
4. Wear safety glasses at all times.
5. For recommended maintenance refer to the Mini-Mac Manual.

CAUTION: This applicator must only be used in a press with a shut height of 135.80 mm (5.346"). Tooling damage could result at a lower shut height.

CAUTION: To prevent injury, never operate this applicator without the guards supplied with the press or wire-processing machine in place. Reference the press or wire processing manufacturer's instruction manual.

CAUTION: Molex crimp specifications are valid only when used with Molex terminals, applicators and tooling.

Contact Information

For more information on Molex application tooling please contact Molex at 1-800-786-6539.

Visit our Web site at <http://www.molex.com>