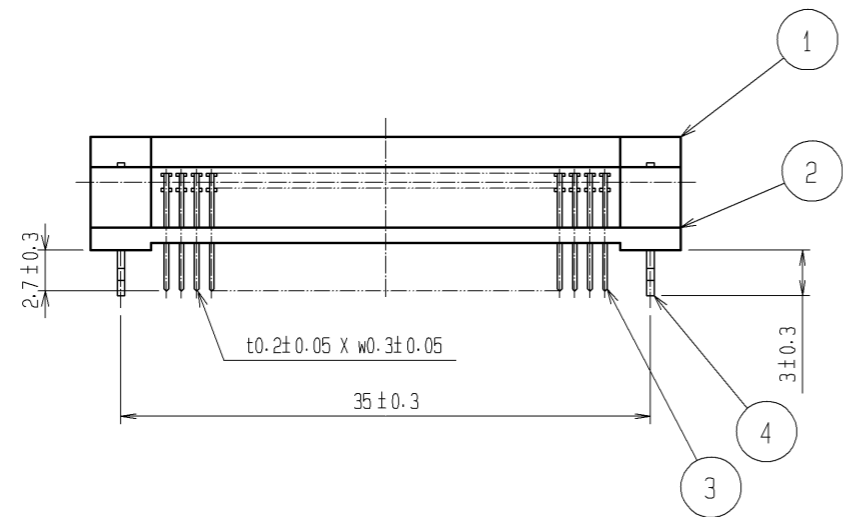
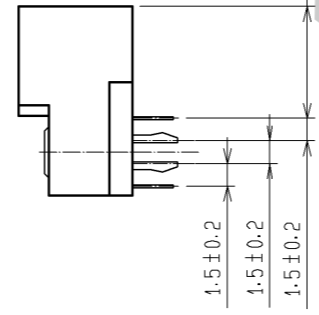
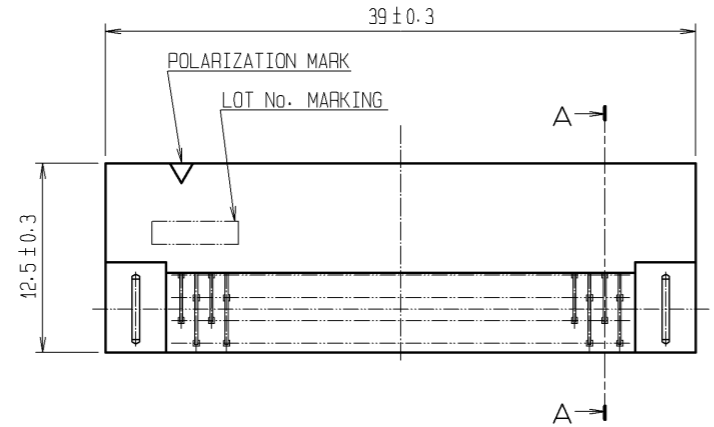
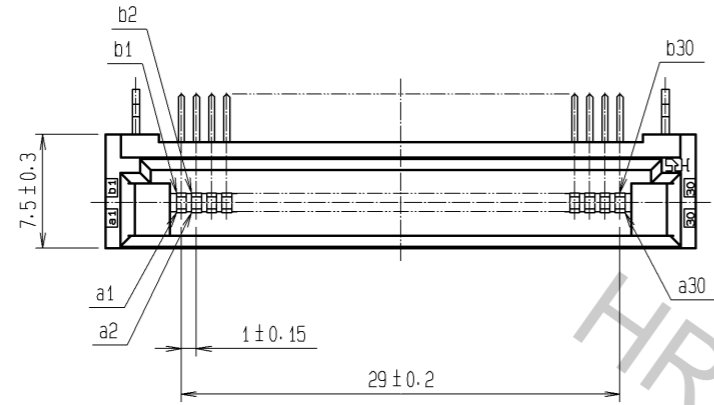
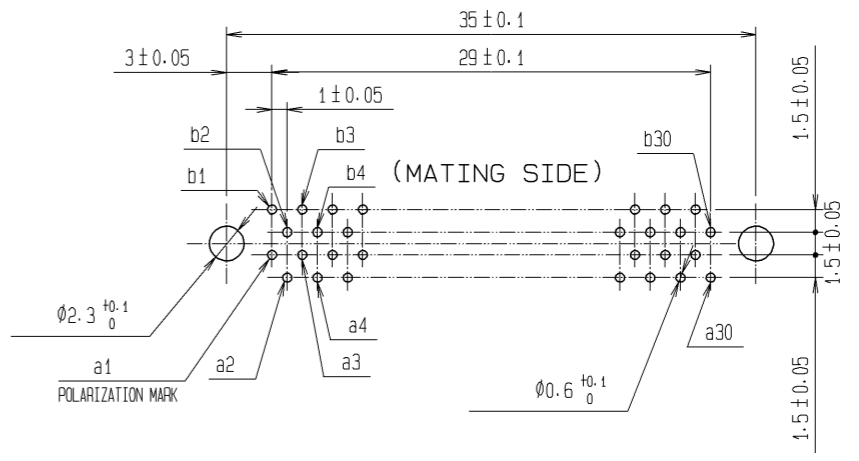


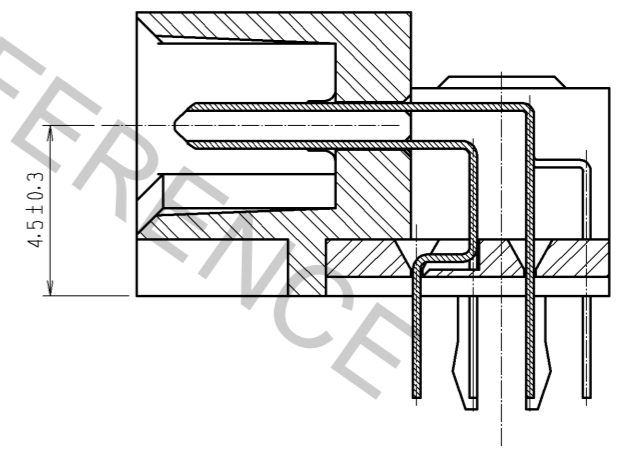
Apr.1.2017 Copyright 2017 HIROSE ELECTRIC CO., LTD. All Rights Reserved.



RECOMMENDED PC BOARD HOLE PATTERN (MOUNTING SIDE)
APPLICABLE BOARD THICKNESS: 1.6



AA(5:1)



NOTE. THE DIMENSIONS IN PARENTHESES ARE FOR REFERENCE.

4	PHOSPHOR BRONZE	TIN-PLATING 3µm min.	3	BRASS	CONTACT AREA:GOLD 0.1µm min.			
1, 2	POLYAMIDE	BLACK UL94V-0			LEAD AREA: TIN-PLATING 1.2µm min.			
					UNDER PLATING: NICKEL 1µm min.			
NO.	MATERIAL	FINISH . REMARKS	NO.	MATERIAL	FINISH . REMARKS			
UNITS	⊕	SCALE	COUNT	DESCRIPTION OF REVISIONS		DESIGNED	CHECKED	DATE
mm		2 : 1	△					
HRS HIROSE ELECTRIC CO., LTD.		APPROVED : HS. OKAWA	08.07.14	DRAWING NO.		EDC3-151778-21		
		CHECED : HT. YAMAGUCHI	08.07.14	PART NO.		FX5-60P-DSL(71)		
		DESIGNED : SY. KAMIGA	08.07.11	CODE NO.		CL575-0200-3-71		
		DRAWN : HK. SUNADORI	08.06.19			△ 1/1		