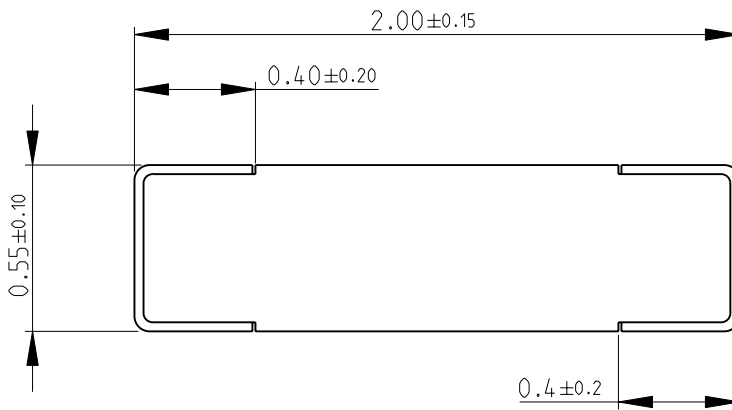
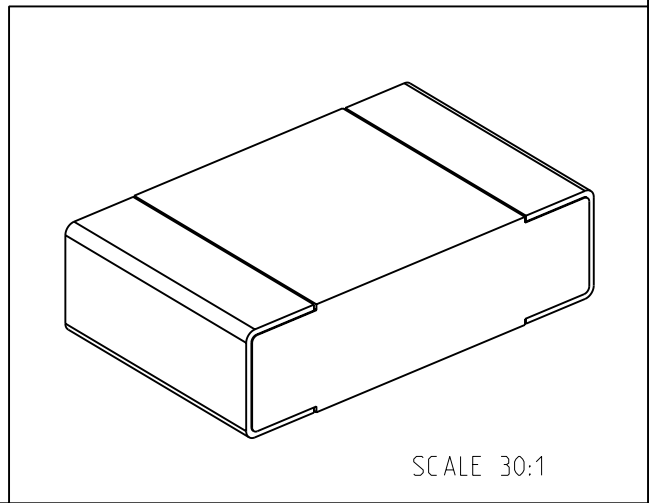


LOC	DIST	REVISIONS					
E	B	P	LTR	DESCRIPTION	DATE	DWN	APVD
			BA	NEW RELEASE	08-JAN-09	SM	St.P

FOR FURTHER INFORMATION SEE DATA SHEET FOR
CRG SERIES-THICK FILM CHIP RESISTORS



RoHS Compliant



2009

RELEASED FOR PUBLICATION

THIS DRAWING IS UNPUBLISHED.

© COPYRIGHT 2009 BY TYCO ELECTRONICS CORPORATION. ALL RIGHTS RESERVED.

DIMENSIONS: mm	DWN	08-JAN-09	MATERIAL	-	FINISH	-
	SUBHASH.M					
TOLERANCES UNLESS OTHERWISE SPECIFIED:	CHK	08-JAN-09	Tyco Electronics Corporation Dorcan, Swindon, SN3 5HH			
	PRAKASH.S					
0 PLC ±0.5	APVD	08-JAN-09	NAME THICK FILM CHIP RESISTORS SERIES CRG 0805			
1 PLC ±0.2	STEPHEN.P					
2 PLC ±0.1	PRODUCT SPEC	-	SIZE	A 4	CAGE CODE	00779
3 PLC ±-	APPLICATION SPEC	-	DRAWING NO	C= 1623148		RESTRICTED TO
4 PLC ±-			WEIGHT	-		-
ANGLES ±5°			CUSTOMER DRAWING		SCALE	40:1
			SHEET		1	OF 1
			REV		BA	