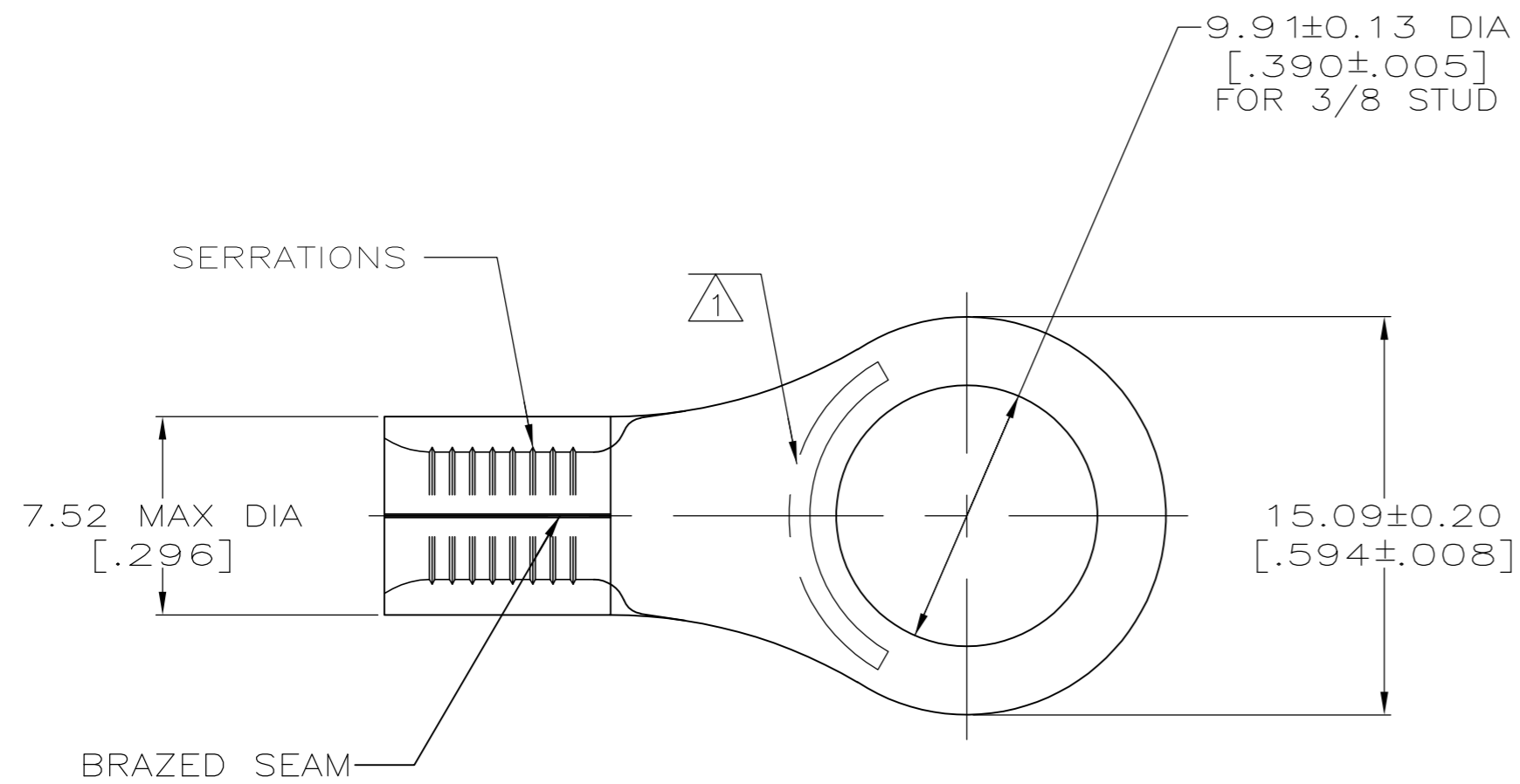


THIS DRAWING IS UNPUBLISHED. RELEASED FOR PUBLICATION
 © COPYRIGHT BY TYCO ELECTRONICS CORPORATION. ALL INTERNATIONAL RIGHTS RESERVED.

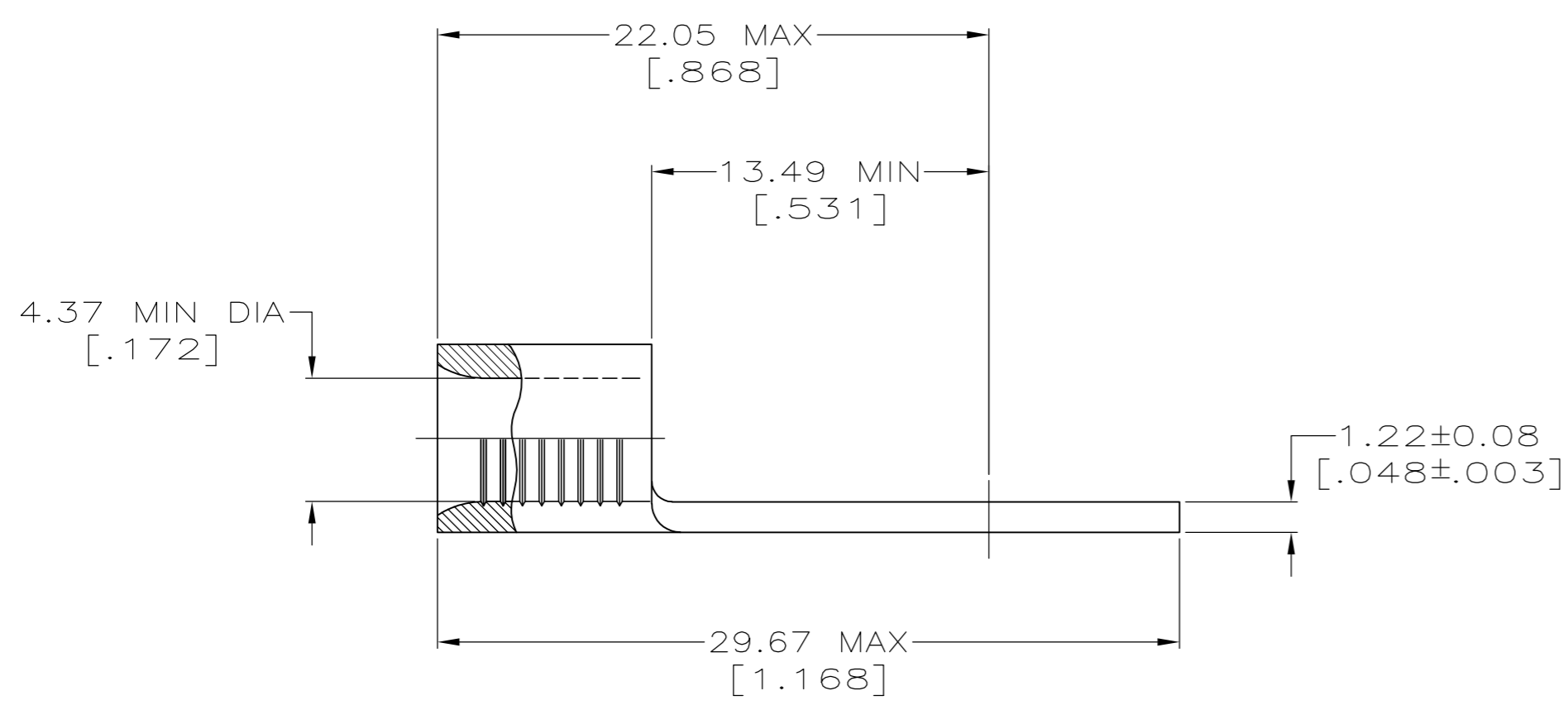
LOC	DIST	REVISIONS					
G	14	P	LTR	DESCRIPTION	DATE	DWN	APVD
		F1		REV PER ECR 09-027810	29DEC09	JR	TM

AMP
WIRE RANGE

8 AWG
SOLID OR STRANDED



- △1 STAMP AMP 8* APPROX AS SHOWN
- △2 COPPER PER ASTM B-152, ANNEALED
- △3 NICKEL PLATE 0.00762 [.000300] MIN THK PER QQ-N-290



323168
PART NO.

MAX RECOMMENDED OPERATING TEMPERATURE: 343°C MAX	THIS DRAWING IS A CONTROLLED DOCUMENT.		DWN TA BRINKMAN 4-19-93	Tyco Electronics Corporation Harrisburg, PA 17105-3608
	VOLTAGE RATING: N/A	DIMENSIONS: MM [INCHES]	CHK DA PATTERSON 4-19-93	
CIRCULAR MIL AREA: 6.64-10.5mm² [13,100-20,800] SOLID OR STRANDED	TOLERANCES UNLESS OTHERWISE SPECIFIED: 0 PLC ± - 1 PLC ± - 2 PLC ± - 3 PLC ± - 4 PLC ± - ANGLES ± - FINISH	MATERIAL - △2	APVD JL MECKLEY 4-19-93	PRODUCT SPEC APPLICATION SPEC
			WEIGHT -	RESTRICTED TO -
			CUSTOMER DRAWING	SCALE 4:1 SHEET 1 OF 1 REV F1

323168

A