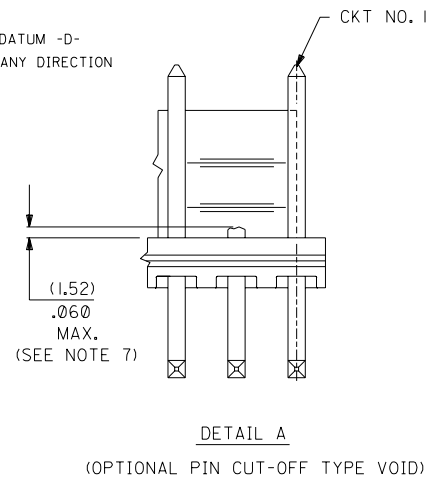


- NOTES:
- PRECEDING ENG. NO. IN CHART DESIGNATES STANDARD PRODUCT.
  - SOLDERABILITY: WHEN PARTS ARE SOLDERED AT A TEMPERATURE OF 230°C (446°F) FOR 5 SECONDS, EACH SOLDERED SURFACE SHALL BE A MINIMUM OF 95% COVERED WITH A SMOOTH CONTINUOUS ADHERENT COATING. FOR OTHER INFORMATION SEE ES-152.
  - PIN PUSH OUT FORCE: PRIOR TO SOLDERING, A 3 POUND MINIMUM FORCE (IN EITHER DIRECTION) SHALL BE REQUIRED TO PUSH THE PIN OUT OF THE HEADER.
  - FOR ADDITIONAL INFORMATION AND TESTING PROCEDURES SEE PS-08-50.
  - PARTS ARE STACKABLE END TO END ON (3.96)/.156 CENTERS.
  - FOR PART WITH PEGS SEE DWG NO. SDA-42492
  - BURRS DUE TO CUTTING OFF OF PINS MUST NOT VARY FROM CENTERLINE OF PIN AT DATUM -D- BY MORE THAN .008 IN ANY DIRECTION.



NO. OF CKT'S.	DIM. A	DIM. B
2	(3.96±.05) .156±.002	(7.77) .306
3	(7.92±.08) .312±.003	(11.73) .462
4	(11.89±.08) .468±.003	(15.70) .618
5	(15.85±.10) .624±.004	(19.66) .774
6	(19.81±.10) .780±.004	(23.62) .930
7	(23.77±.10) .936±.004	(27.58) 1.086
8	(27.74±.13) 1.092±.005	(31.55) 1.242
9	(31.70±.13) 1.248±.005	(35.51) 1.398
10	(35.66±.13) 1.404±.005	(39.47) 1.554
11	(39.62±.15) 1.560±.006	(43.43) 1.710
12	(43.59±.15) 1.716±.006	(47.40) 1.866
13	(47.55±.15) 1.872±.006	(51.36) 2.022
14	(51.51±.18) 2.028±.007	(55.32) 2.178
15	(55.47±.18) 2.184±.007	(59.28) 2.334
16	(59.44±.18) 2.340±.007	(63.25) 2.490
17	(63.40±.20) 2.496±.008	(67.21) 2.646
18	(67.36±.20) 2.652±.008	(71.17) 2.802

MATERIAL: HEADER: GLASS FILLED POLYESTER, 94V-0, MOLDED NATURAL (WHITE).  
PIN: BRASS

PLATINGS:

(102) ELECTRO TIN .000450/.000200 OVER .000200/.000100 COPPER  
(567) SELECT GOLD 15 M.I. MIN, SELECT TIN/LEAD 100 M.I. MIN., OVER NICKEL  
(569) SELECT GOLD 30 M.I. MIN, SELECT TIN/LEAD 100 M.I. MIN., OVER NICKEL  
FOR ADDITIONAL INFORMATION SE SDES-88.

REV	DATE	BY	CHK'D	SCALE
E2				
E1				
E				
LTR.	REVISIONS	LTR.	REVISIONS	

DIMENSIONS SHOWN (METRIC) INCH	
UNLESS OTHERWISE SPECIFIED TOLERANCES: ANGULAR ± 1/2°	
3 PLACE ±	INCH METRIC
2 PLACE ±	±
1 PLACE ±	±

= 0     = 0    REVISE ONLY ON CAD SYSTEM  
 TITLE: FRICTION LOCK HEADER ASS'Y  
 .156 Q BENT SQ PINS, W/O PEGS  
 41792 SERIES DWG.  
 MOLEX INCORPORATED    SHEET NO. DATE  
 LISLE, ILL.    60532    U.S.A.    1 OF 6    09/09/87  
 PART NO.    DRWG. NO.  
**SEE CHART    SDA-41792**  
 FILE NAME: S41792X1    THIS DRAWING CONTAINS INFORMATION THAT IS PROPRIETARY TO MOLEX INC. AND SHOULD NOT BE USED WITHOUT WRITTEN PERMISSION.    DIV. SIZE  
 KK    C

6	E
5	E2
4	E1
3	E
2	E
1	E2

	13	12	11	10	9	8	7	6	4/2/1/2	4	3	2	1	
J	ENG. NO.	HEADER NO.	PIN NO.	PLATING	DIM. L	DIM. X	DIM. G GOLD	DIM. Y	DIM. Z	DIM. T TIN	DIM. W	NO OF CKTS	VOID CKTS	PACKAGING
	A-41792-0198/0213	41790-0002/0018	2161-37(102)	102	(27.94) 1.100	(11.43) .450	( ) N/A	(5.41) .213	(3.96 ) .156	( ) OVERALL	90°	3-18	2	BULK PER PK-41792-002
	A-41792-0214/0227	41790-0002/0018	2161-37(102)	102	(27.94) 1.100	(11.43) .450	( ) N/A	(5.41) .213	(3.96 ) .156	( ) OVERALL	90°	5-18	5	BULK PER PK-41792-002
	A-41792-0242/0257	41790-0002/0018	2161-37(102)	102	(27.94) 1.100	(11.43) .450	( ) N/A	(5.41) .213	(3.96 ) .156	( ) OVERALL	90°	3-18	3	BULK PER PK-41792-002
I	A-41792-0258/0274	41790-0002/0018	2161-64(122)	122	(29.85) 1.175	(13.28) .523	( ) N/A	(5.41) .213	(4.01 ) .158	( ) OVERALL	90°	2-18		BULK PER PK-41792-002
	A-41792-0275/0289	41790-0002/0018	2161-37(102)	102	(27.94) 1.100	(11.43) .450	( ) N/A	(5.41) .213	(3.96 ) .156	( ) OVERALL	90°	4-18	2,4	BULK PER PK-41792-002
	A-41792-0341/0352	41790-0002/0018	2161-37(102)	102	(27.94) 1.100	(11.43) .450	( ) N/A	(5.41) .213	(3.96 ) .156	( ) OVERALL	90°	7-18	7	BULK PER PK-41792-002

H	A-41792-0198/0213																A-41792-0214/0227																A-41792-0242/0257																A-41792-0258/0274																A-41792-0275/0289																A-41792-0341/0352																																																																																																																																																																																																																																																																																																																																																																																																																																																																																																																																																																																																																																																																																																															
	EDP NO.																ENG. NO.																NO OF CKTS																EDP NO.																ENG. NO.																NO OF CKTS																EDP NO.																ENG. NO.																NO OF CKTS																																																																																																																																																																																																																																																																																																																																																																																																																																																																																																																																																																																																																																																															
	26-62-5031																A-41792-0198																3																26-62-5041																A-41792-0199																4																26-62-5051																A-41792-0200																5																26-62-5061																A-41792-0201																6																26-62-5071																A-41792-0202																7																26-62-5081																A-41792-0203																8																26-62-5091																A-41792-0204																9																26-62-5101																A-41792-0205																10																26-62-5111																A-41792-0206																11																26-62-5121																A-41792-0207																12																26-62-5131																A-41792-0208																13																26-62-5141																A-41792-0209																14																26-62-5151																A-41792-0210																15																26-62-5161																A-41792-0211																16																26-62-5171																A-41792-0212																17																26-62-5181																A-41792-0213																18															

D	A-41792-0198/0213																A-41792-0214/0227																A-41792-0242/0257																A-41792-0258/0274																A-41792-0275/0289																A-41792-0341/0352																																																																																																																																																																																																																																																																																																																																																																																																																																																																																																																																																																																																																																																																																																															
	EDP NO.																ENG. NO.																NO OF CKTS																EDP NO.																ENG. NO.																NO OF CKTS																EDP NO.																ENG. NO.																NO OF CKTS																																																																																																																																																																																																																																																																																																																																																																																																																																																																																																																																																																																																																																																															
	26-62-5031																A-41792-0198																3																26-62-5041																A-41792-0199																4																26-62-5051																A-41792-0200																5																26-62-5061																A-41792-0201																6																26-62-5071																A-41792-0202																7																26-62-5081																A-41792-0203																8																26-62-5091																A-41792-0204																9																26-62-5101																A-41792-0205																10																26-62-5111																A-41792-0206																11																26-62-5121																A-41792-0207																12																26-62-5131																A-41792-0208																13																26-62-5141																A-41792-0209																14																26-62-5151																A-41792-0210																15																26-62-5161																A-41792-0211																16																26-62-5171																A-41792-0212																17																26-62-5181																A-41792-0213																18															

A	A-41792-0198/0213																A-41792-0214/0227																A-41792-0242/0257																A-41792-0258/0274																A-41792-0275/0289																A-41792-0341/0352																																																																																																																																																																																																																																																																																																																																																																																																																																																																																																																																																																																																																																																																																																															
	EDP NO.																ENG. NO.																NO OF CKTS																EDP NO.																ENG. NO.																NO OF CKTS																EDP NO.																ENG. NO.																NO OF CKTS																																																																																																																																																																																																																																																																																																																																																																																																																																																																																																																																																																																																																																																															
	26-62-5031																A-41792-0198																3																26-62-5041																A-41792-0199																4																26-62-5051																A-41792-0200																5																26-62-5061																A-41792-0201																6																26-62-5071																A-41792-0202																7																26-62-5081																A-41792-0203																8																26-62-5091																A-41792-0204																9																26-62-5101																A-41792-0205																10																26-62-5111																A-41792-0206																11																26-62-5121																A-41792-0207																12																26-62-5131																A-41792-0208																13																26-62-5141																A-41792-0209																14																26-62-5151																A-41792-0210																15																26-62-5161																A-41792-0211																16																26-62-5171																A-41792-0212																17																26-62-5181																A-41792-0213																18															

	13	12	11	10	9	8	7	6	5	4	3	2	1																																																																																			
	EDP NO.																ENG. NO.																NO OF CKTS																EDP NO.																ENG. NO.																NO OF CKTS															

SEE SHEET I	B14	SEE SHEET I	DIMENSIONS SHOWN (METRIC) INCH UNLESS OTHERWISE SPECIFIED TOLERANCES ANGULAR $\pm 1/2^\circ$		$\nabla = 0$	$\blacktriangledown = 0$	REVISE ONLY ON CAD SYSTEM
SEE SHEET I	B10	SEE SHEET I	INCH METRIC		TITLE FRICTION LOCK HEADER ASSY .156 @ BENT SQ PINS, W/O PEG 41792 SERIES DWG		
SEE SHEET I	B9	SEE SHEET I	3 PLACE $\pm$		MOLEX INCORPORATED SHEET NO. DATE 1515E.JLL U.S.A. 4 06/25/88		
SEE SHEET I	B8	SEE SHEET I	2 PLACE $\pm$ $\pm$		PART NO. SEE CHART SDA-41792		
SEE SHEET I	B6	SEE SHEET I	1 PLACE $\pm$ $\pm$		DRAWN BY: SDA-41792		
SEE SHEET I	B5	SEE SHEET I	DRAFT WHERE APPLICABLE MUST REMAIN WITHIN DIMENSIONS		FILE NAME: S41792X4		
SEE SHEET I	B4	SEE SHEET I	DRWG. BY: SAMEIC BY: PATEL		THIS DRAWING CONTAINS INFORMATION THAT IS PROPRIETARY TO MOLEX INC. AND SHOULD NOT BE USED WITHOUT WRITTEN PERMISSION.		
SEE SHEET I	B4	SEE SHEET I	APPR'D. BY: LENZ SCALE: :		DIV: C SIZE: C		
LTR.	REVISIONS	LTR.	REVISIONS				