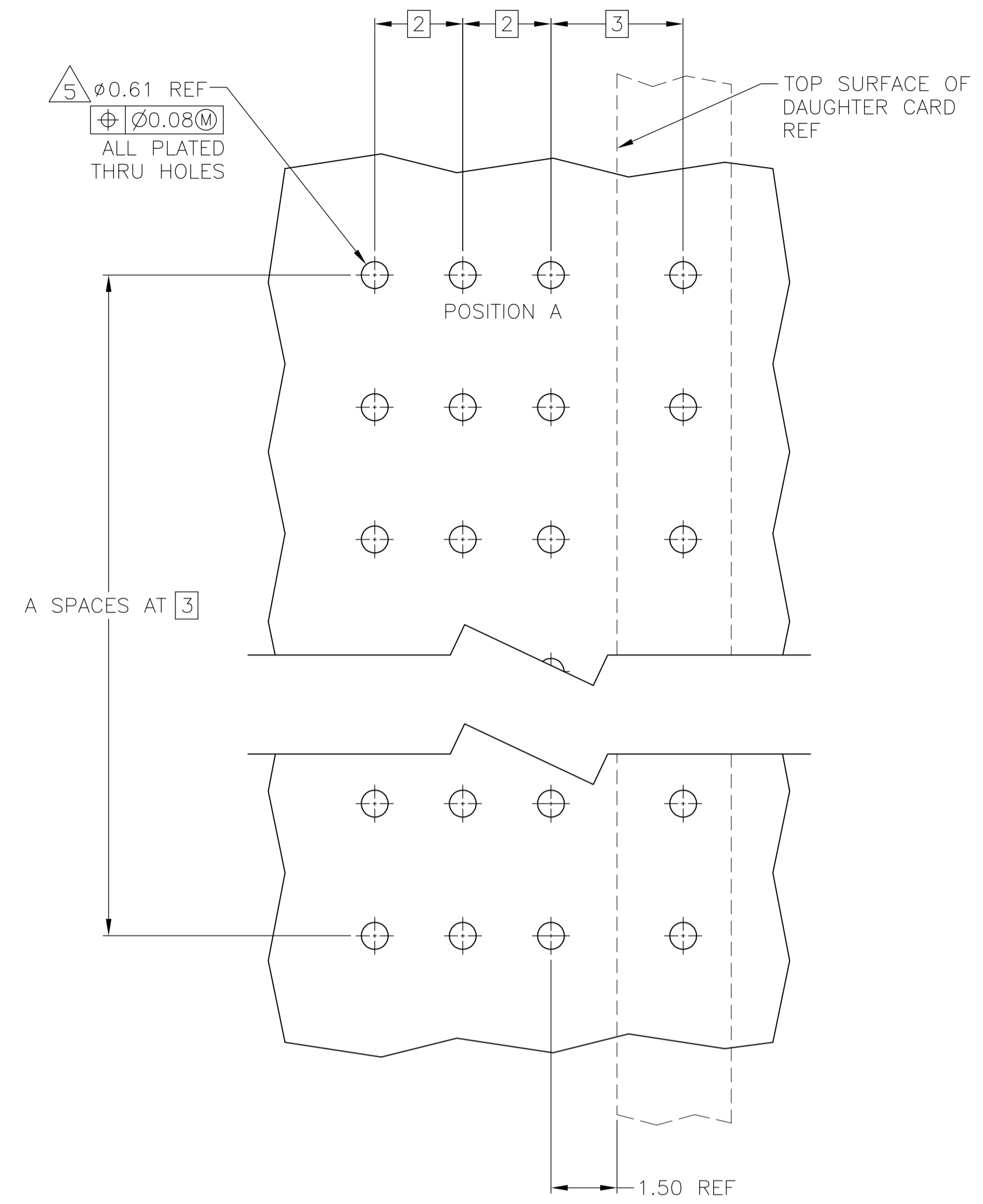
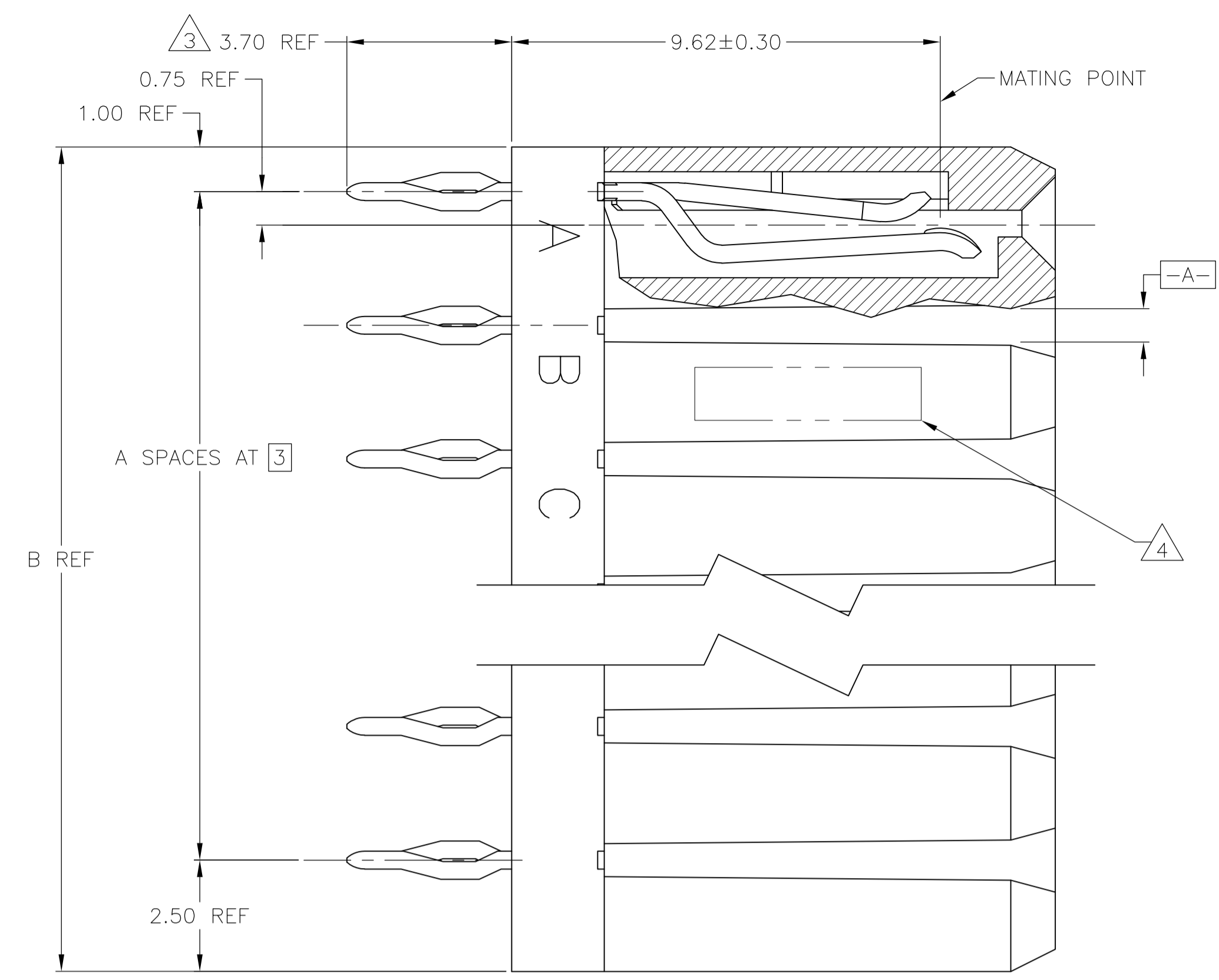


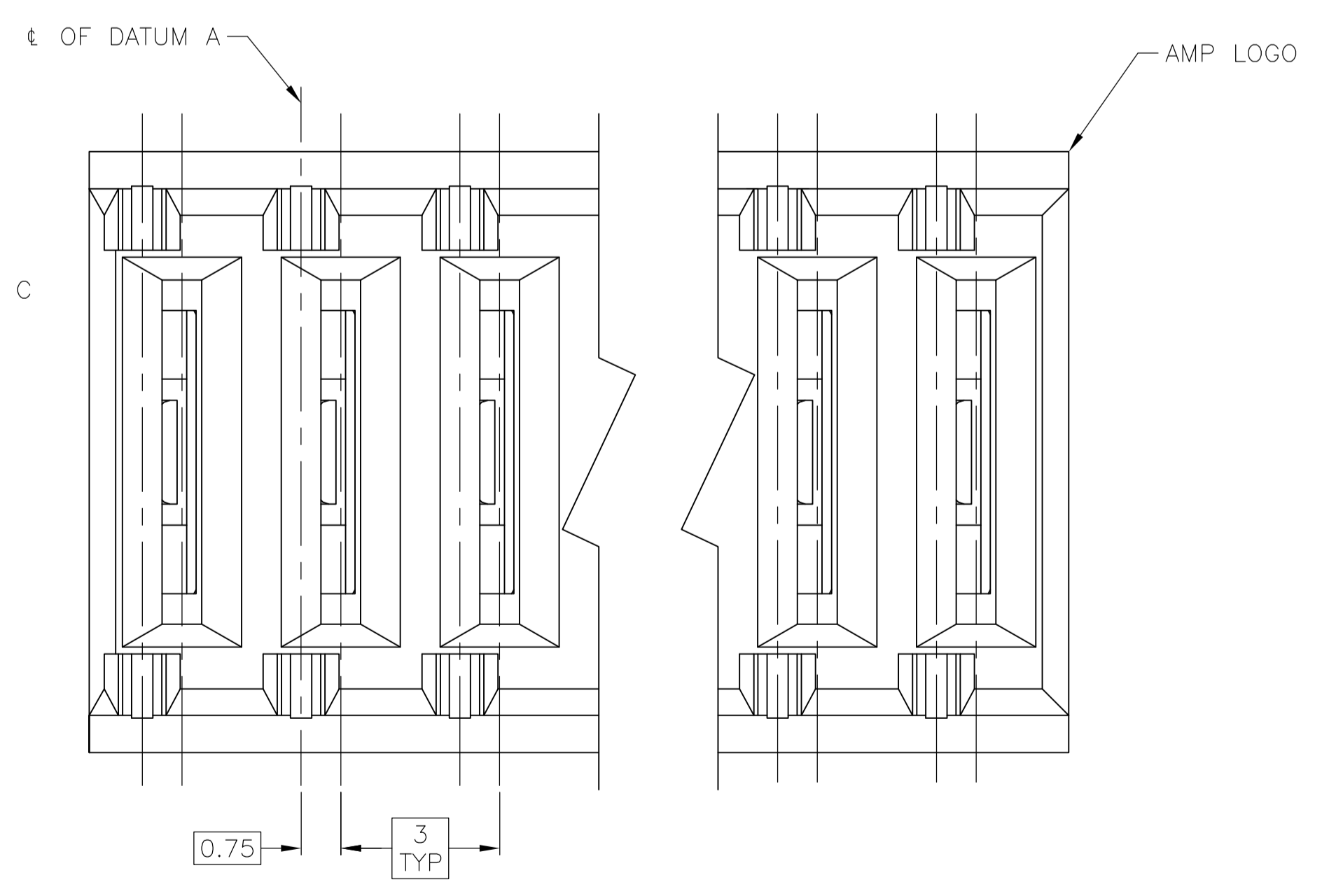
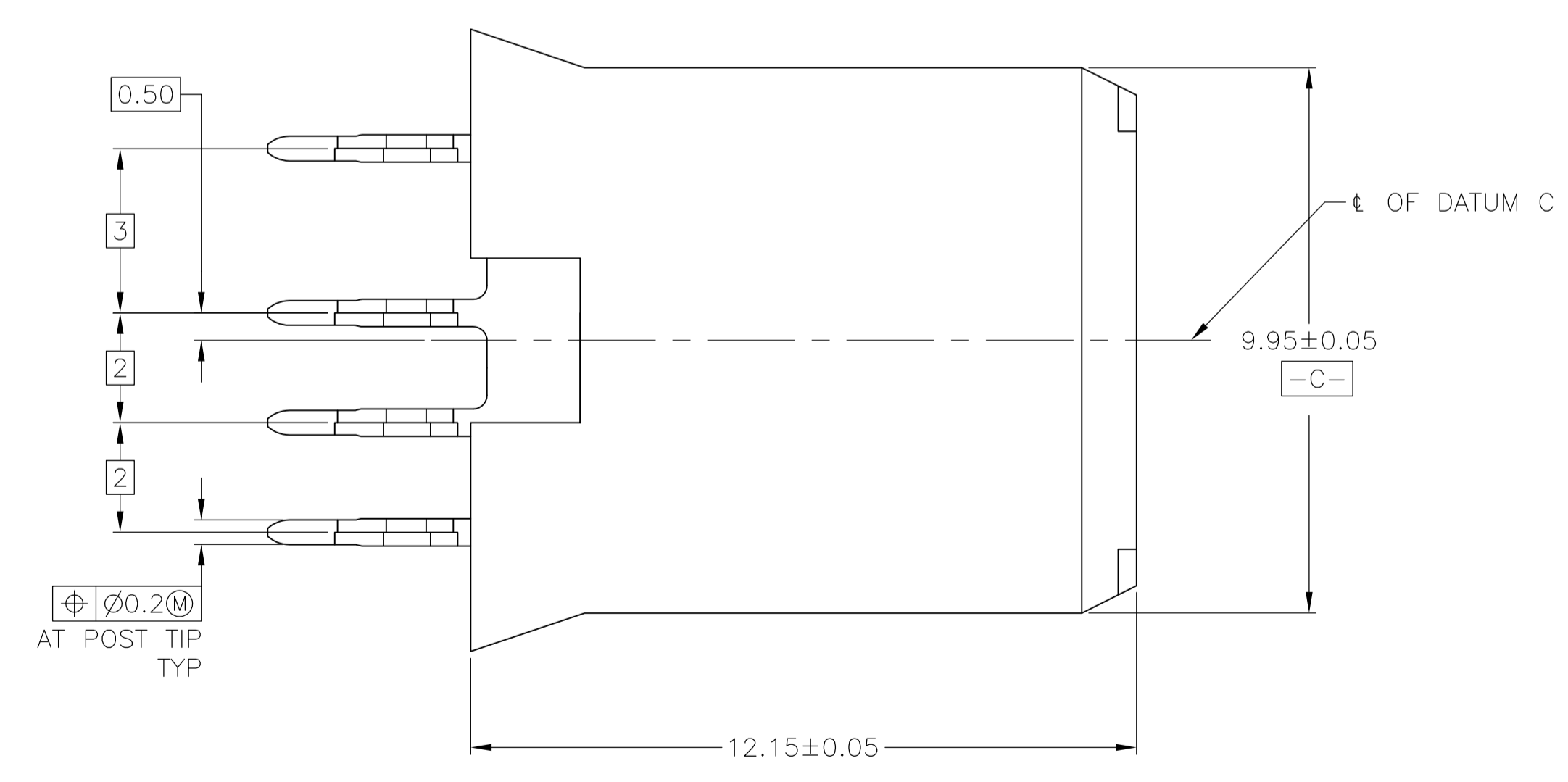
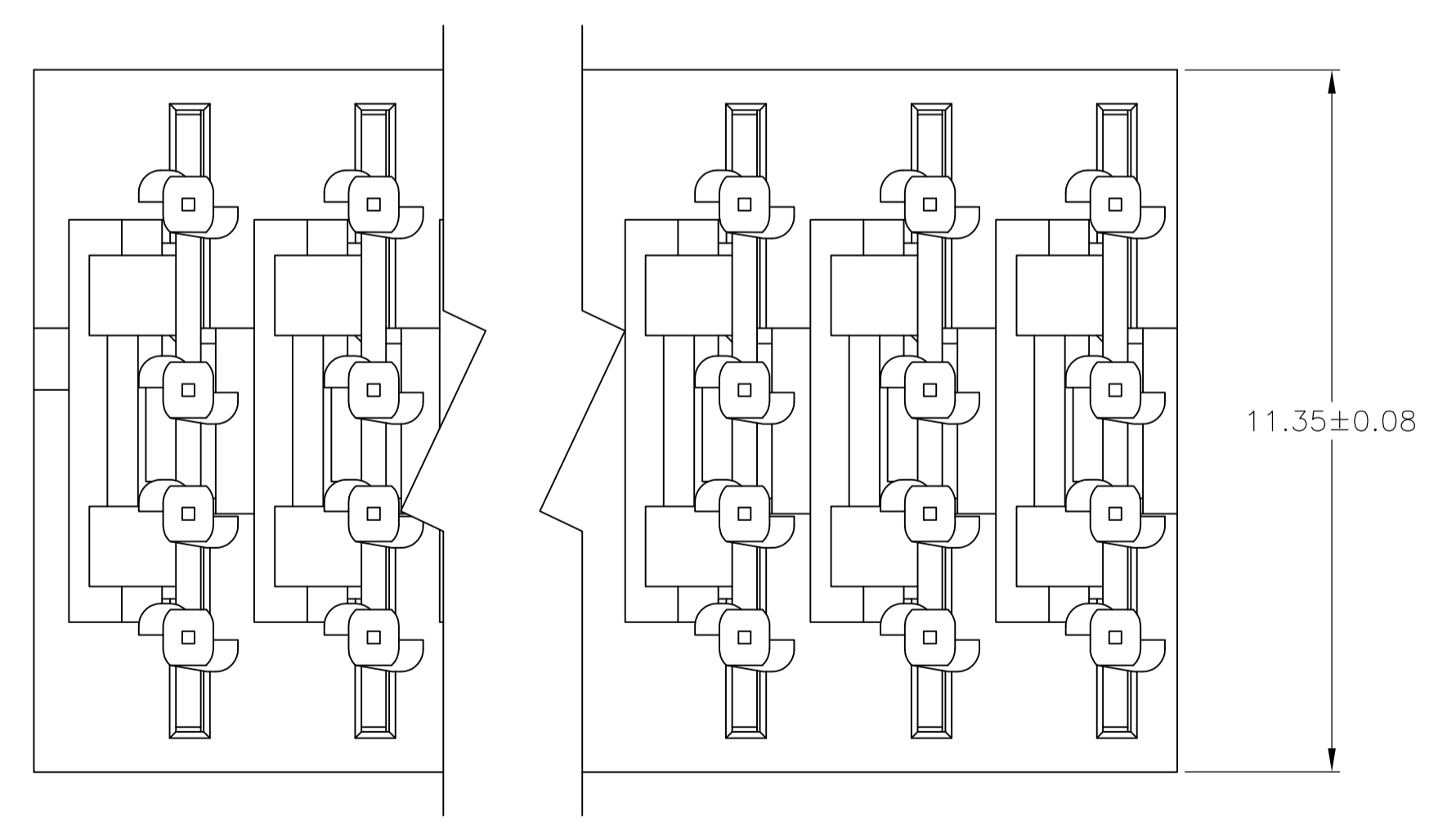
LOC		DIST		REVISIONS			
P	LTR	DESCRIPTION	DATE	DMN	APVD		
B		REVISED PER ECO-10-020607	08OCT10	DH	DY		



RECOMMENDED PCB HOLE LAYOUT



- 1 MATERIAL: HOUSING : POLYESTER, GRAY. UL 94V-0.
CONTACT: HIGH CURRENT COPPER ALLOY.
- 2 FINISH: CONTACT MATING AREA: 0.08 μ m MIN GOLD
OVER 0.76 μ m PALLADIUM-NICKEL.
ACTION PIN AREA, 0.5 μ m MIN MATTE TIN PLATE,
ALL OVER 1.27 μ m MIN NICKEL UNDERPLATE.
- 3 TOLERANCE TO BE ± 0.28 AFTER CONNECTOR IS APPLIED TO PC BOARD.
- 4 DATE CODE THIS APPROXIMATE AREA, OPPOSITE SIDE.
- 5 REFERENCE APPLICATION SPEC 114-1103 FOR RECOMMENDED
PLATED THRU HOLE DIAMETER AND PLATING THICKNESS.
- 6. CURRENT RATING 16A/CONTACT PER PRODUCT SPEC 108-1651.
- 7 FINISH: CONTACT LUBRICATION WITH BELLCORE APPROVED LUBRICANT.
TECHNICAL REFERENCE: GR-1217-CORE ISSUE 1, NOVEMBER 1995.



8	24.5	7	1645553-5
POSITION	B REF	A	PART NUMBER

THIS DRAWING IS A CONTROLLED DOCUMENT. DIN D. HUMBERT 25MAR2010
 CHK -

TOLERANCES UNLESS OTHERWISE SPECIFIED:

0 PLC	± -
1 PLC	± -
2 PLC	± 0.13
3 PLC	± -
4 PLC	± -
ANGLES	± -

MATERIAL 1 FINISH 2

APVD D. YI 25MAR2010 NAME Tyco Electronics Corporation
 Tyco Electronics Corporation
 Harrisburg, Pa 17105-3608

PRODUCT SPEC
 APPLICATION SPEC
 SIZE CAGE CODE DRAWING NO RESTRICTED TO
 A1 00779 C=1645553 -

WEIGHT -

CUSTOMER DRAWING SCALE 10:1 SHEET 1 OF 1 REV B