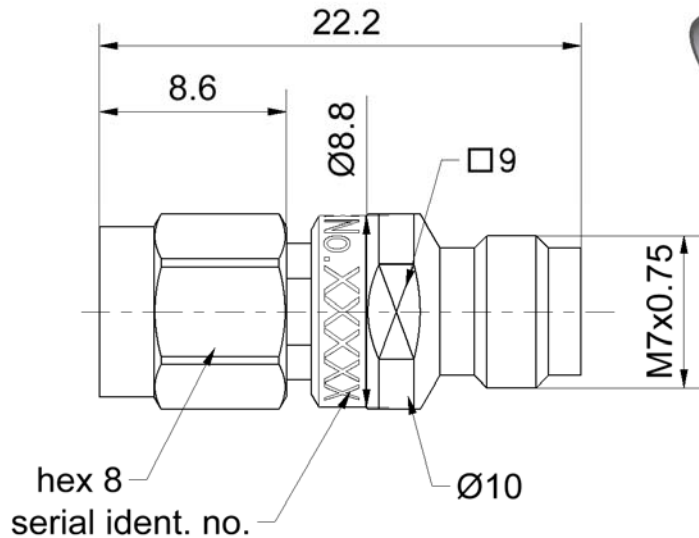


RPC-2.40

Attenuator
RPC-2.40 Plug - RPC-2.40 Jack

09AS102-K06S3



All dimensions are in mm; tolerances according to ISO 2768 m-H

Interface

According to IEC 61169-40
Mechanically compatible with RPC-1.85

Documents

N/A

Material and plating

Connector parts

- Center conductor - plug
- Center conductor - jack
- Outer conductor
- Coupling nut
- Dielectric
- Substrate

Material

- Beryllium copper
- Beryllium copper
- Stainless steel
- Stainless steel
- PS
- Al₂O₃

Plating

- Gold, min. 1.27 µm, over nickel
- Gold, min. 1.27 µm, over nickel
- Passivated
- Passivated

Dieses Dokument ist urheberrechtlich geschützt • This document is protected by copyright • Rosenberger Hochfrequenztechnik GmbH & Co. KG

RF_35/05.10/6.0

RPC-2.40

Attenuator
RPC-2.40 Plug - RPC-2.40 Jack

09AS102-K06S3

Electrical data

Impedance 50 Ω
 Frequency range DC to 50 GHz
 Return loss ≥ 32 dB, DC to 4 GHz
 ≥ 21 dB, 4 GHz to 18 GHz
 ≥ 18 dB, 18 GHz to 37 GHz
 ≥ 14 dB, 37 GHz to 50 GHz
 Attenuation 6 dB ± 0.5 dB, DC to 26.5 GHz
 6 dB ± 1.5 dB, 26.5 GHz to 50 GHz
 Power handling ≤ 0.5 W

Mechanical data

Mating cycles ≥ 500
 Maximum torque 1.65 Nm
 Recommended torque 0.90 Nm
 Gauge 0.00 mm to 0.03 mm

Environmental data

Operating temperature range¹ +20 °C to +26 °C
 Storage temperature range 0 °C to +50 °C
 RoHS compliant

¹ Temperature range over which these specifications are valid.

Packing

Standard 1 pce in box
 Weight 6.5 g/pce

While the information has been carefully compiled to the best of our knowledge, nothing is intended as representation or warranty on our part and no statement herein shall be construed as recommendation to infringe existing patents. In the effort to improve our products, we reserve the right to make changes judged to be necessary.

| Draft | Date | Approved | Date | Rev. | Engineering change number | Name | Date |
|--|----------|-------------|----------|---|---------------------------|----------------|---------------|
| Marion Striegler | 11/05/12 | Lars Ramtke | 13/08/14 | a00 | 13-s383 | Marcel Panicke | 13/08/14 |
| Rosenberger Hochfrequenztechnik GmbH & Co. KG P.O.Box 1260 D-84526 Tittmoning Germany www.rosenberger.de | | | | Tel. : +49 8684 18-0 Fax : +49 8684 18-499 Email : info@rosenberger.de | | | Page 2 / 2 |