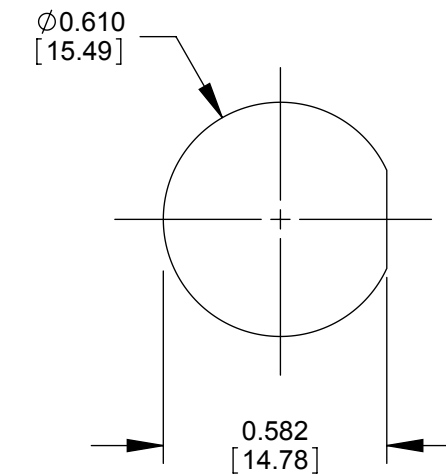
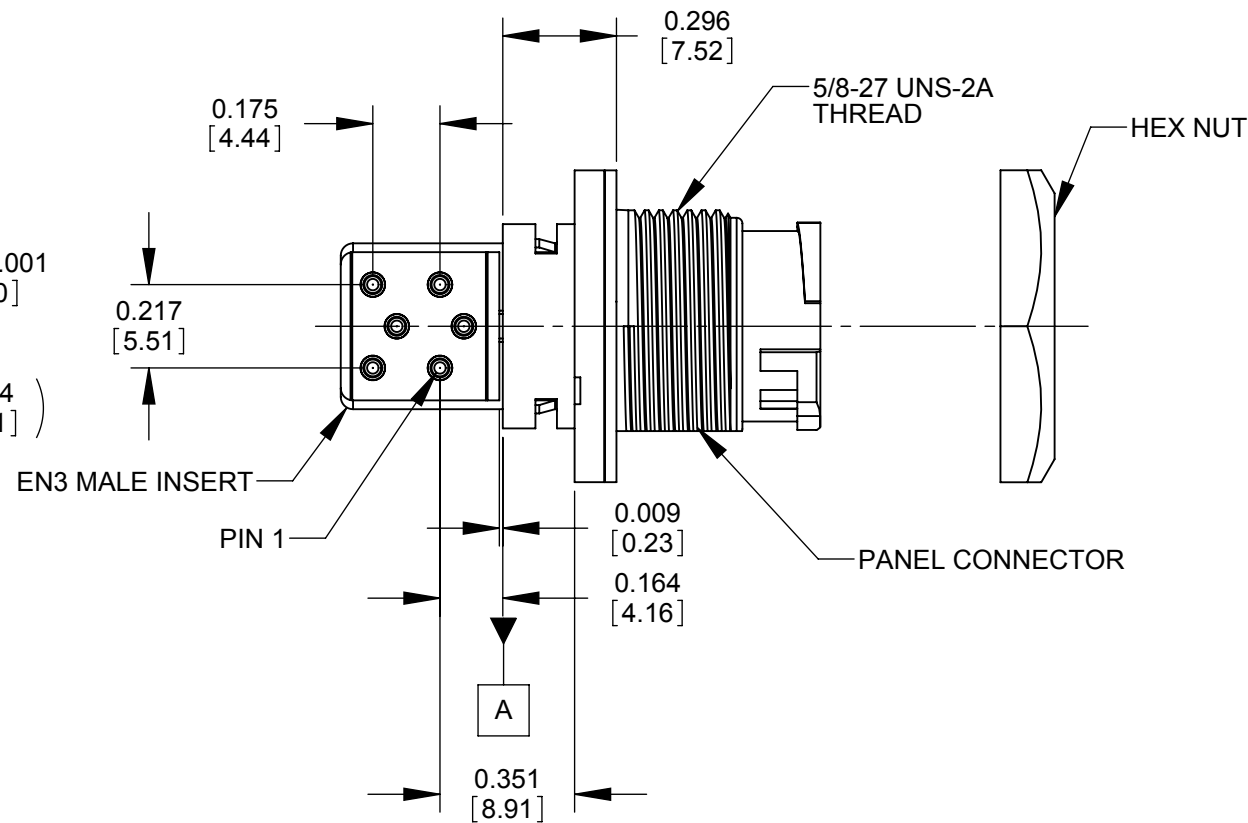


RECOMMENDED PCB LAYOUT
(COMPONENT SIDE)



RECOMMENDED
PANEL CUTOUT

NOTES:

1. MATERIALS:

CONTACTS: COPPER BASE ALLOY, GOLD PLATED

RA MALE INSERT, CONNECTOR SHELL: THERMOPLASTIC

CONNECTOR SHELL INTERIOR: THERMOPLASTIC RUBBER

HEX NUT: THERMOPLASTIC (SHIPPED UNASSEMBLED)

2. THIS PRODUCT IS RoHS COMPLIANT.

CUSTOMER DRAWING

REV	ECO NUMBER	DATE	BY	APVD
A	26354	8/6/08	JGK	TJK
REVISIONS				

UNLESS OTHERWISE SPECIFIED				
1. ALL DIMENSIONS IN INCHES				
- TWO PLACE DECIMALS ±0.02				
- THREE PLACE DECIMALS ±0.005				
DO NOT SCALE DRAWING				

THIS DRAWING DESCRIBES A DESIGN CONSIDERED PROPRIETARY IN NATURE, DEVELOPED AND MANUFACTURED BY SWITCHCRAFT INC. AND IS RELEASED ON A CONFIDENTIAL BASIS FOR IDENTIFICATION PURPOSES ONLY.									
SIZE	WIDTH	MULT	LBS/M	TEMPER					
FINISH					MATERIAL				
SPEC No.					SPEC No.				
FIRST USED ON					SCALE				
					2:1				
DATE DRAWN	BY	CHKD	APVD						
7/24/06	SRC	JGK	TJK						
			3/25/10	3/25/10					
NAME					PART No.				
EN3 MALE, 6 PIN RAPC, RoHS					EN3P6MRAPCX				
					REV				
					A				