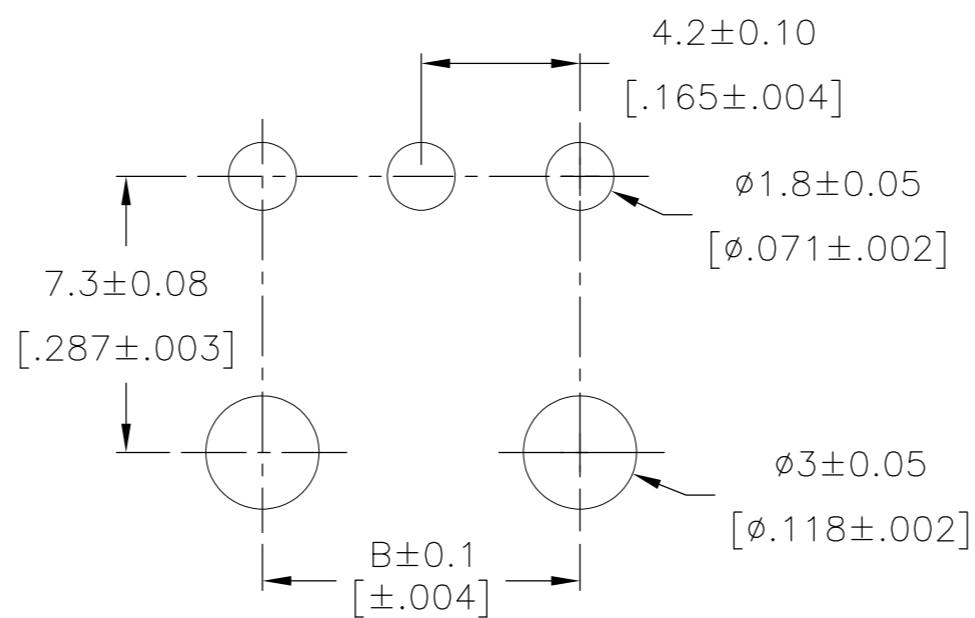
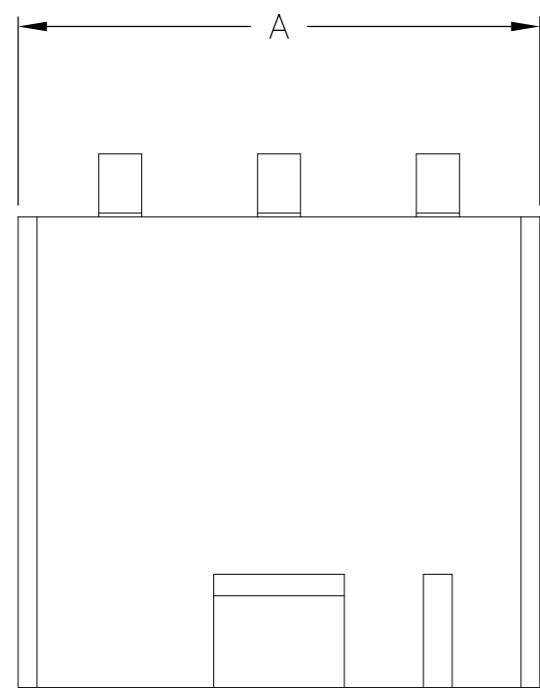
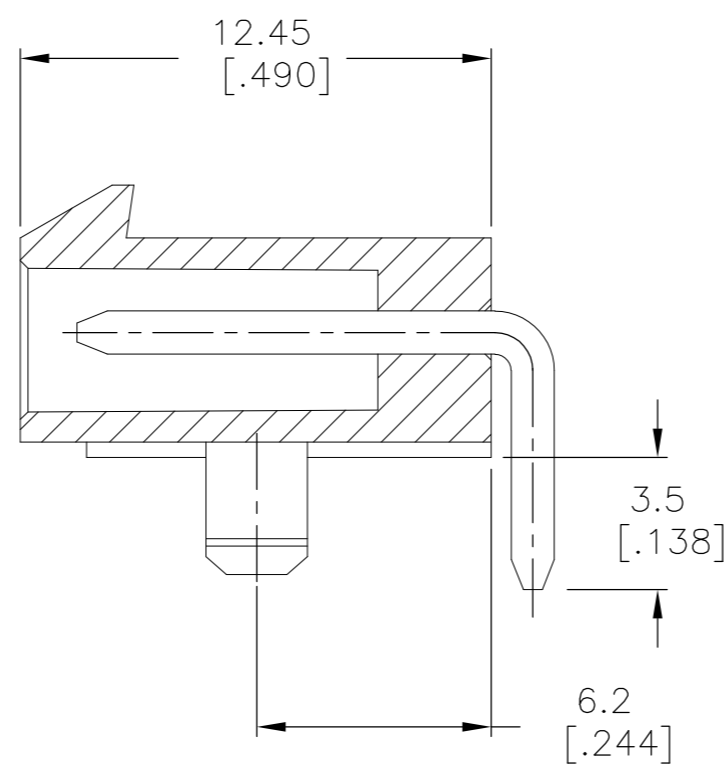
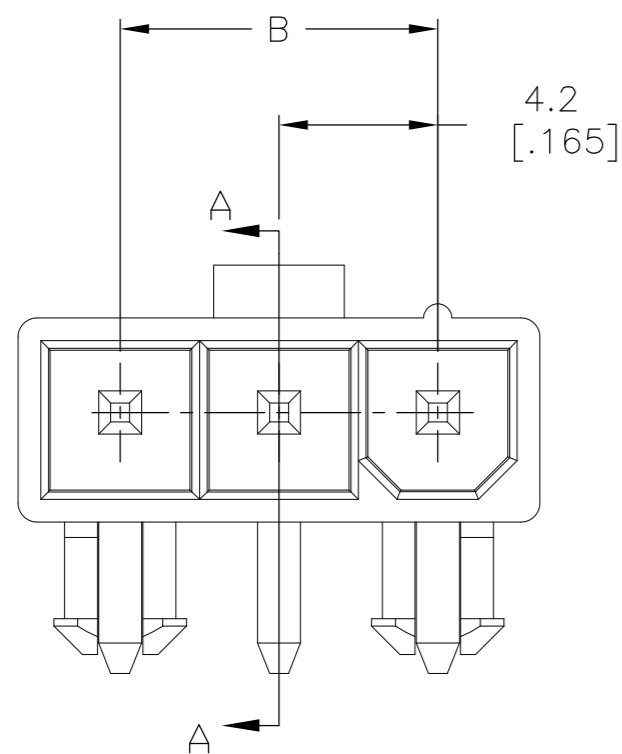


THIS DRAWING IS UNPUBLISHED. RELEASED FOR PUBLICATION
 © COPYRIGHT BY TYCO ELECTRONICS CORPORATION. ALL RIGHTS RESERVED.

| LOC | | DIST | | REVISIONS | | | |
|-----|-----|-------------|--|-----------|-----|------|--|
| P | LTR | DESCRIPTION | | DATE | DWN | APVD | |
| | A | RELEASED | | 16OCT2008 | KW | CC | |

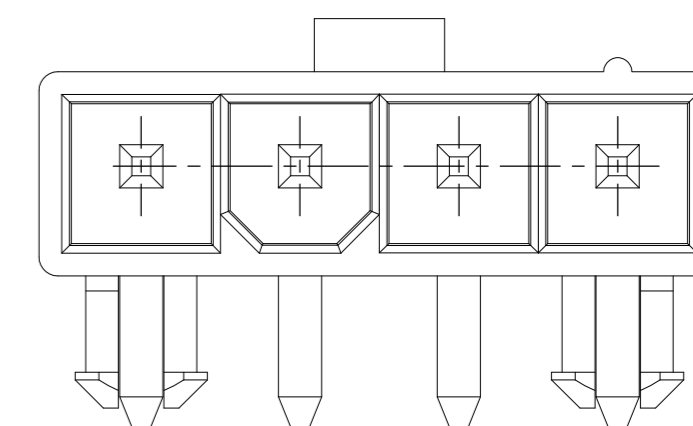


RECOMMENDED MOUNTING HOLE PATTERN FOR
 1.78 [.070] MAX THK P.C. BOARD

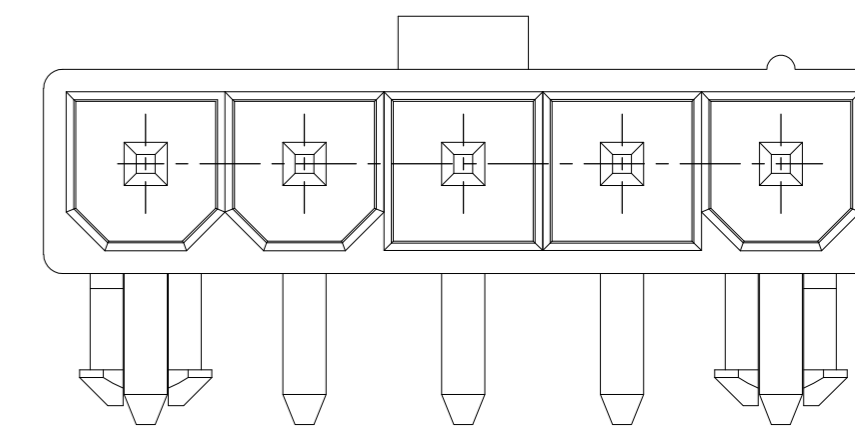


SECTION A-A

- 1 MATERIAL: HOUSING: NYLON, UL94V-2
CONTACTS: BRASS, TIN-PLATED
- 2. GLOW WIRE APPROVED, CONTACT TYCO ELECTRONICS PRODUCT ENGINEERING FOR SPECIFICATION.



2029154-4 MATING FACE



2029154-5 MATING FACE

2029154-3 SHOWN

| | | | |
|-----|-------------|-------------|-------------|
| 5 | 16.8 [.661] | 22.2 [.874] | 2029154-5 |
| 4 | 12.6 [.496] | 18 [.709] | 2029154-4 |
| 3 | 8.4 [.330] | 13.8 [.543] | 2029154-3 |
| POS | B | A | PART NUMBER |

METRIC

| | | | | |
|---|--|---------------------------------|--|-------------------------|
| THIS DRAWING IS A CONTROLLED DOCUMENT. | | DWN K. WHITAKER 14OCT2008 | Tyco Electronics Corporation Harrisburg, PA 17105-3608 | |
| DIMENSIONS: mm [INCHES] | | CHK C. CASH 14OCT2008 | NAME RIGHT ANGLE HEADER, WITH PEGS, 94V-2, GLOW WIRE, VAL-U-LOK(TM) | |
| TOLERANCES UNLESS OTHERWISE SPECIFIED: 0 PLC ± 1 PLC ± 0.13 [.005] 2 PLC ± 0.13 [.005] 3 PLC ± - 4 PLC ± - ANGLES ± | | APVD C. CASH 14OCT2008 | SIZE A2 | |
| MATERIAL 1 | | FINISH | CAGE CODE 00779 | DRAWING NO C=2029154 |
| | | WEIGHT | SCALE 5:1 | SHEET 1 of 1 |
| | | CUSTOMER DRAWING | REV A | |