

PRODUCT DATA DRAWING

REVISION HISTORY			
REV	DESCRIPTION	DATE	APPROVED
-	DCN 38089	03/11	PJS

MATERIAL:

BODY, CLAMP NUT,
CABLE CONTACT,
FERRULE &
COUPLING NUT:

BRASS PER ASTM B16, ALLOY UNS No. C36000

CONNECTOR
CENTER CONTACT:

BERYLLIUM COPPER PER ASTM B196,
ALLOY No. UNS C17300, TD04

CONNECTOR
OUTER CONTACT:

BERYLLIUM COPPER PER ASTM B194,
ALLOY UNS C17200

INSULATORS:

PTFE PER ASTM D1710, TYPE I, GRADE 1, CLASS B

GASKETS
& O-RING:

SILICONE RUBBER PER A-A-59588, CLASS 2B

LOCK RING:

PHOSPHOR BRONZE PER ASTM-B 159
ALLOY 51000, TEMPER H08

CRIMP RING:

COPPER PER ASTM B 301, ALLOY UNS C18700, H04

FINISH:

BODY, CLAMP NUT,
CONNECTOR
OUTER CONTACT,
CRIMP RING,
FERRULE &
COUPLING NUT:

SILVER PER QQ-S-365, TYPE II, GRADE A

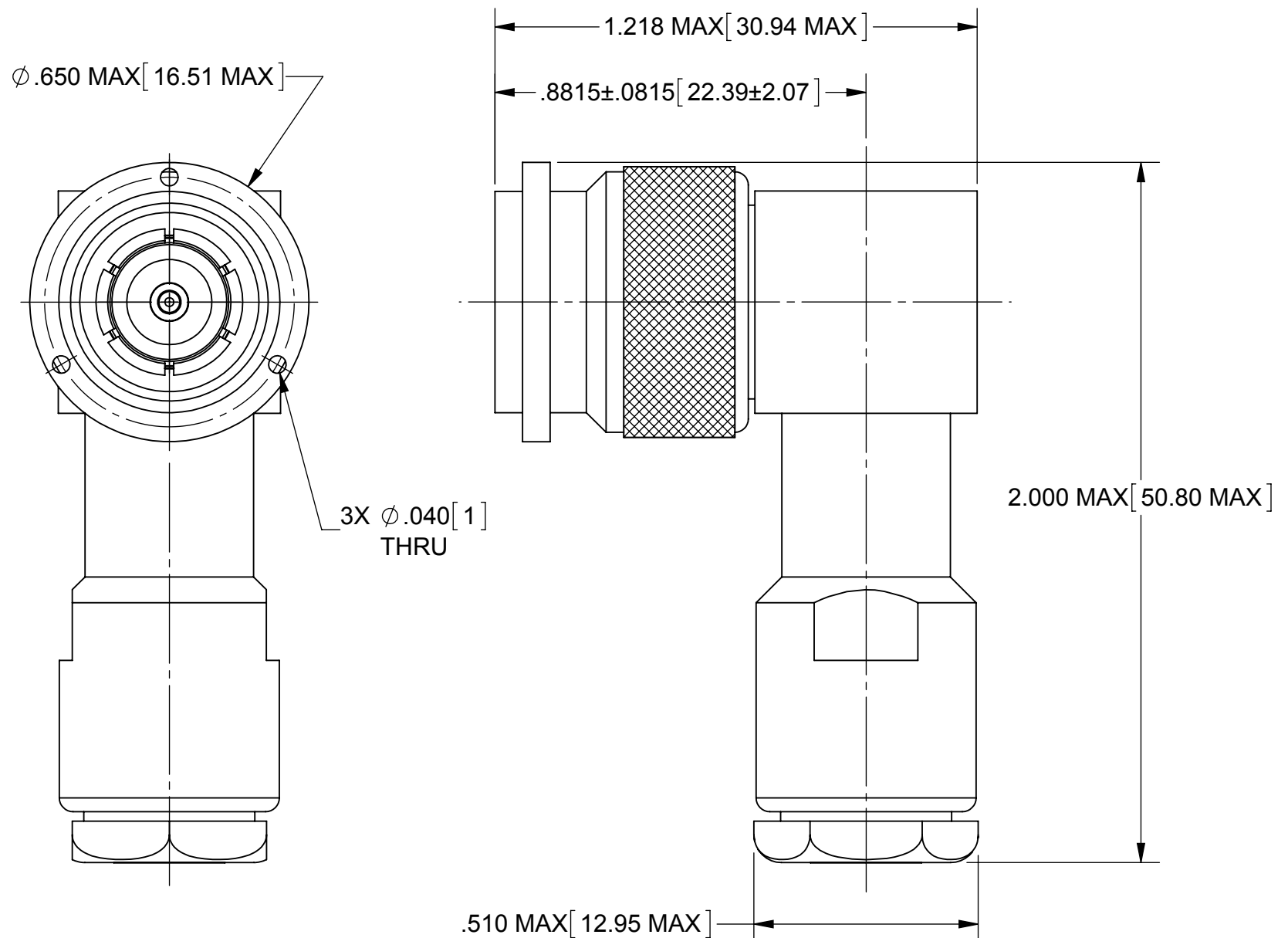
CABLE CONTACT &
CONNECTOR
CENTER CONTACT:

GOLD PER ASTM B488, TYPE II,
CODE C, CLASS 1.27, OVER NICKEL
PER AMS-QQ-N-290, CLASS 1, .00005" MIN.

PERFORMANCE:

IMPEDANCE:
FREQ. RANGE:
VSWR:
OPERATING TEMP.:

50 OHMS
DC TO 11.0 GHz
1.30:1 MAX. DC TO 11.0 GHz
-65 °C TO +165 °C



MATERIAL: SEE NOTES	DIMENSIONS ARE IN INCHES TOLERANCES: FRACTIONAL: ±1/64 ANGULAR: X° ±1'0" X°X' ±15'	UNLESS OTHERWISE SPECIFIED 1) ALL DIMENSIONS ARE IN INCHES (MILLIMETERS) 2) ALL DIMENSIONS ARE AFTER PLATING. 3) BREAK CORNERS & EDGES .005 R. MAX. 4) CHAM. 1ST & LAST THREADS. 5) SURFACE ROUGHNESS 63-MIL-STD-10. 6) DIA.'S ON COMMON CENTERS TO BE CONCENTRIC WITHIN .005 T.I.R. 7) REMOVE ALL BURRS	SV Microwave, Inc. 2400 Centrepark West Drive, Suite 100 West Palm Beach, FL 33409
FINISH: SEE NOTES	DECIMAL: X ±.030 .XX ±.010 .XXX ±.005	INTERPRET DIMENSIONS AND TOLERANCES PER ASME Y14.5M - 1994	TITLE: TNC R/A PLUG CRIMP CLAMP FOR RG-303/U CABLE
SURFACE AREA: N/A	THIRD ANGLE PROJECTION	DRAWN: FED 03/16/11 CHECKED: PJS 03/16/11 APPROVED: PJS 03/16/11	SIZE: B CAGE CODE: 95077 DWG. NO.: M39012/30B0015
PROPRIETARY THE INFORMATION CONTAINED IN THIS DRAWING IS THE SOLE PROPERTY OF SV MICROWAVE, INC. ANY REPRODUCTION IN PART OR AS A WHOLE WITHOUT THE WRITTEN PERMISSION OF SV MICROWAVE, INC IS PROHIBITED.		SCALE: 3:1	SHEET 1 OF 1