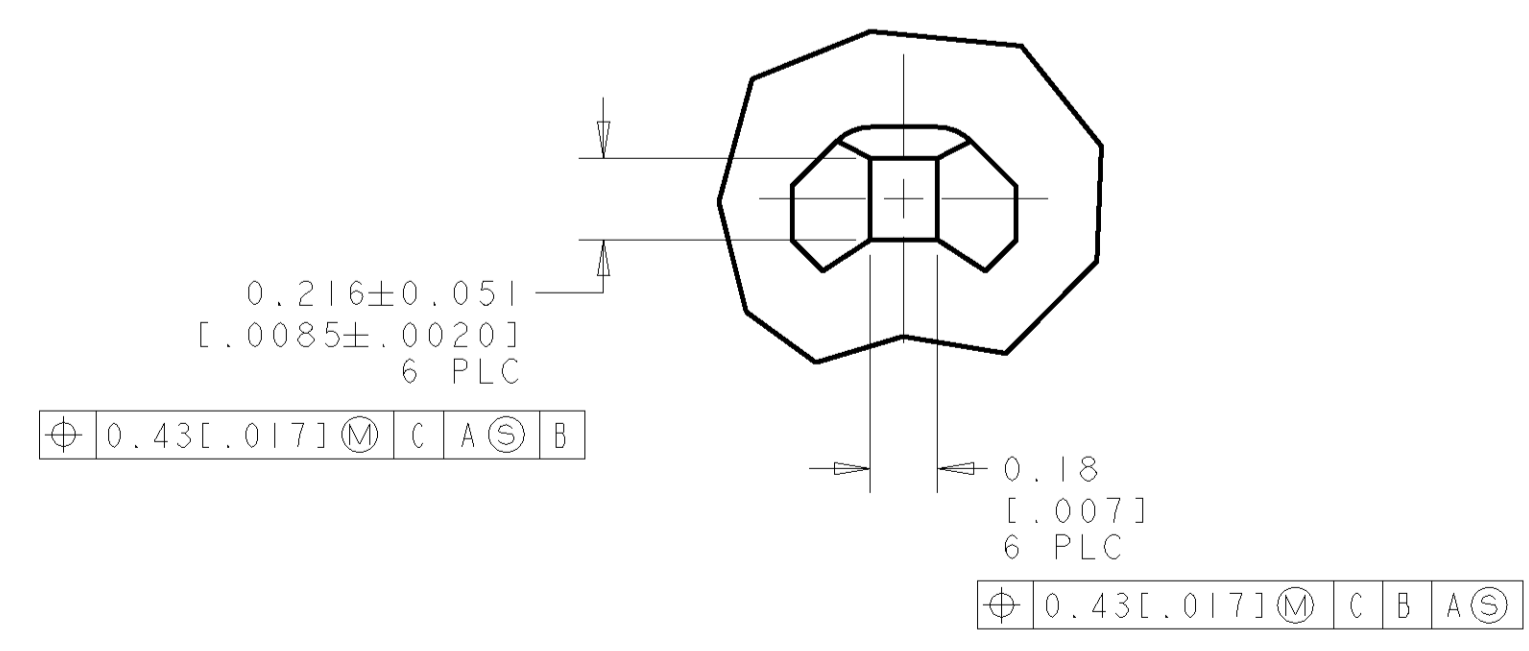
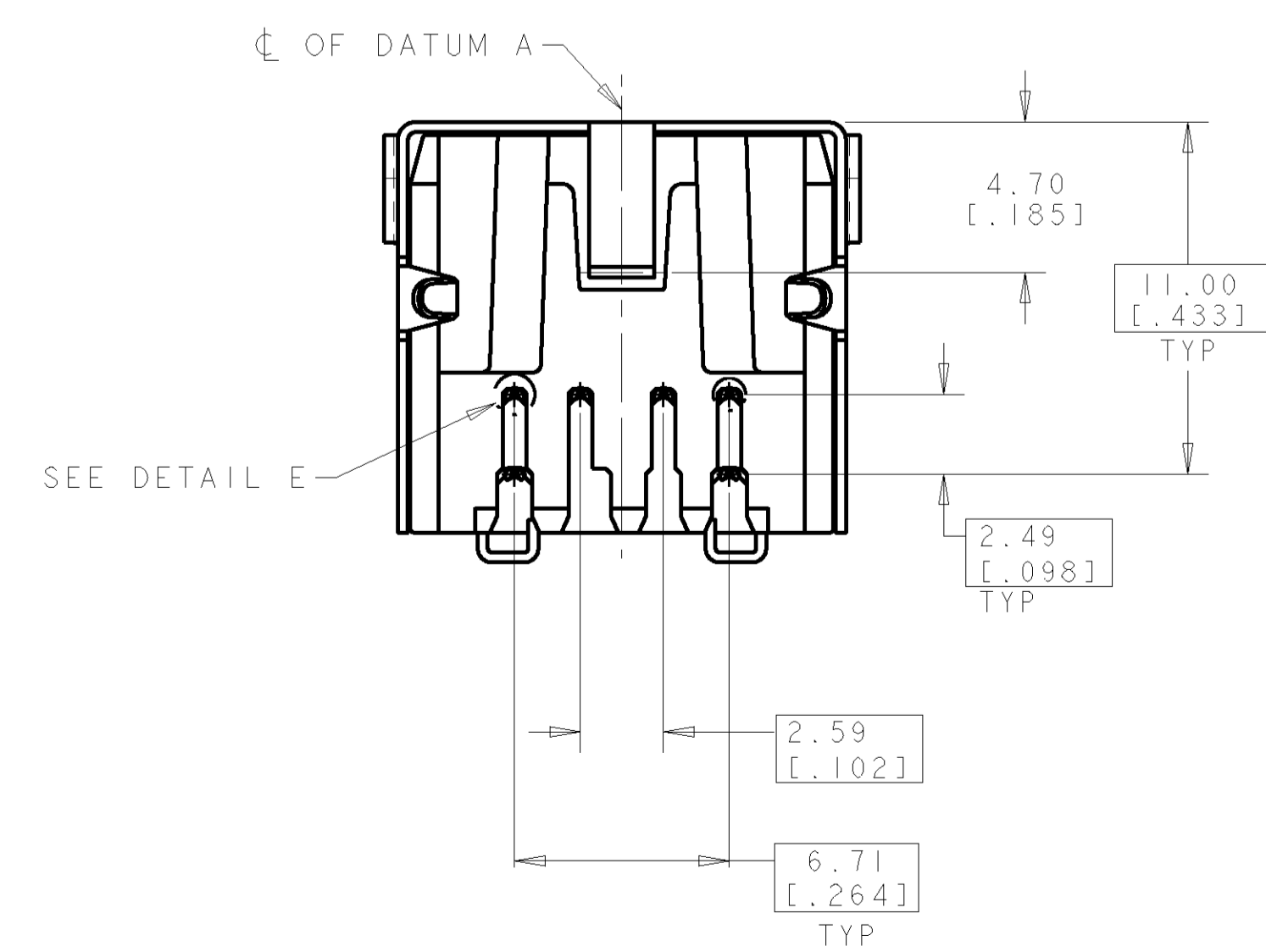
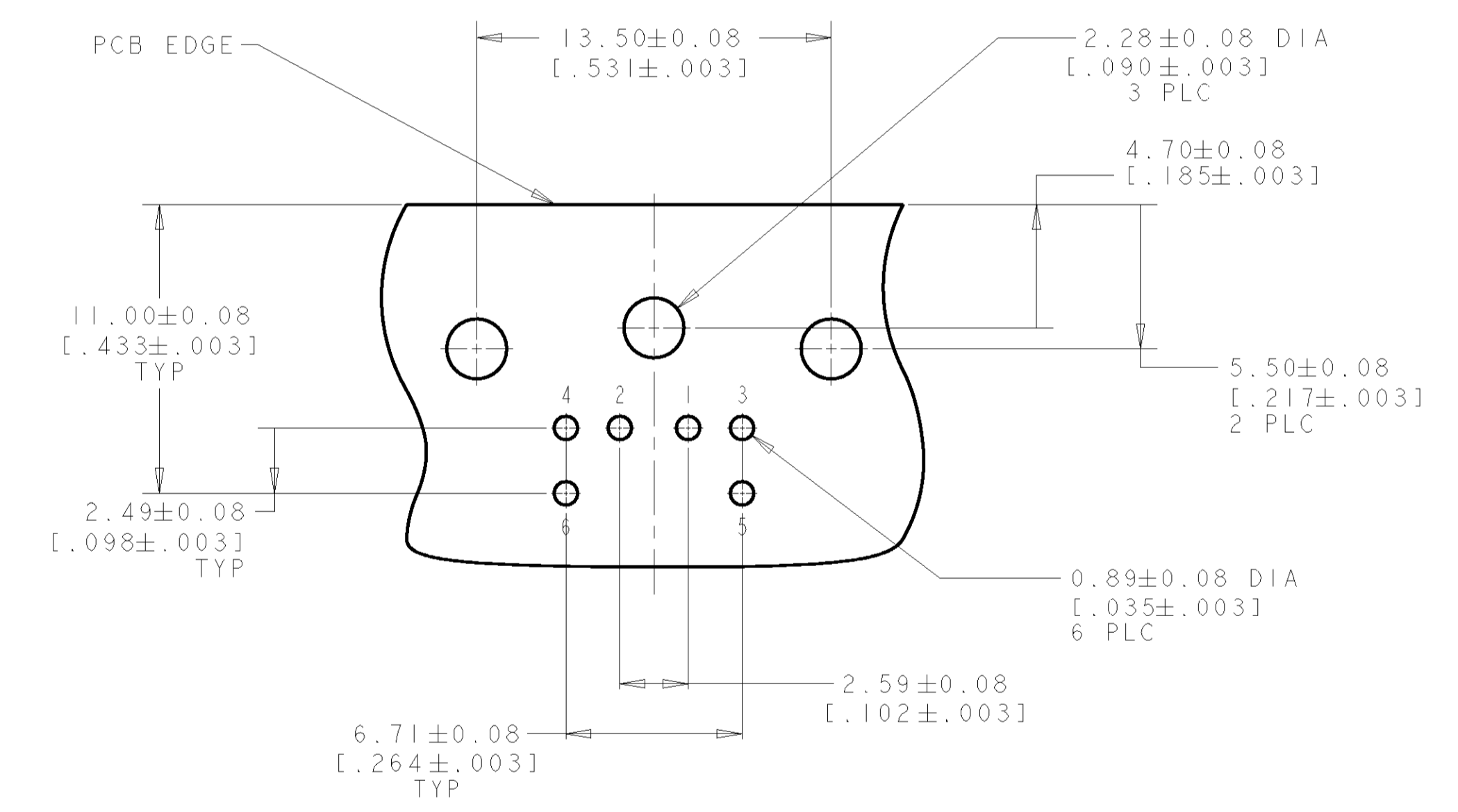
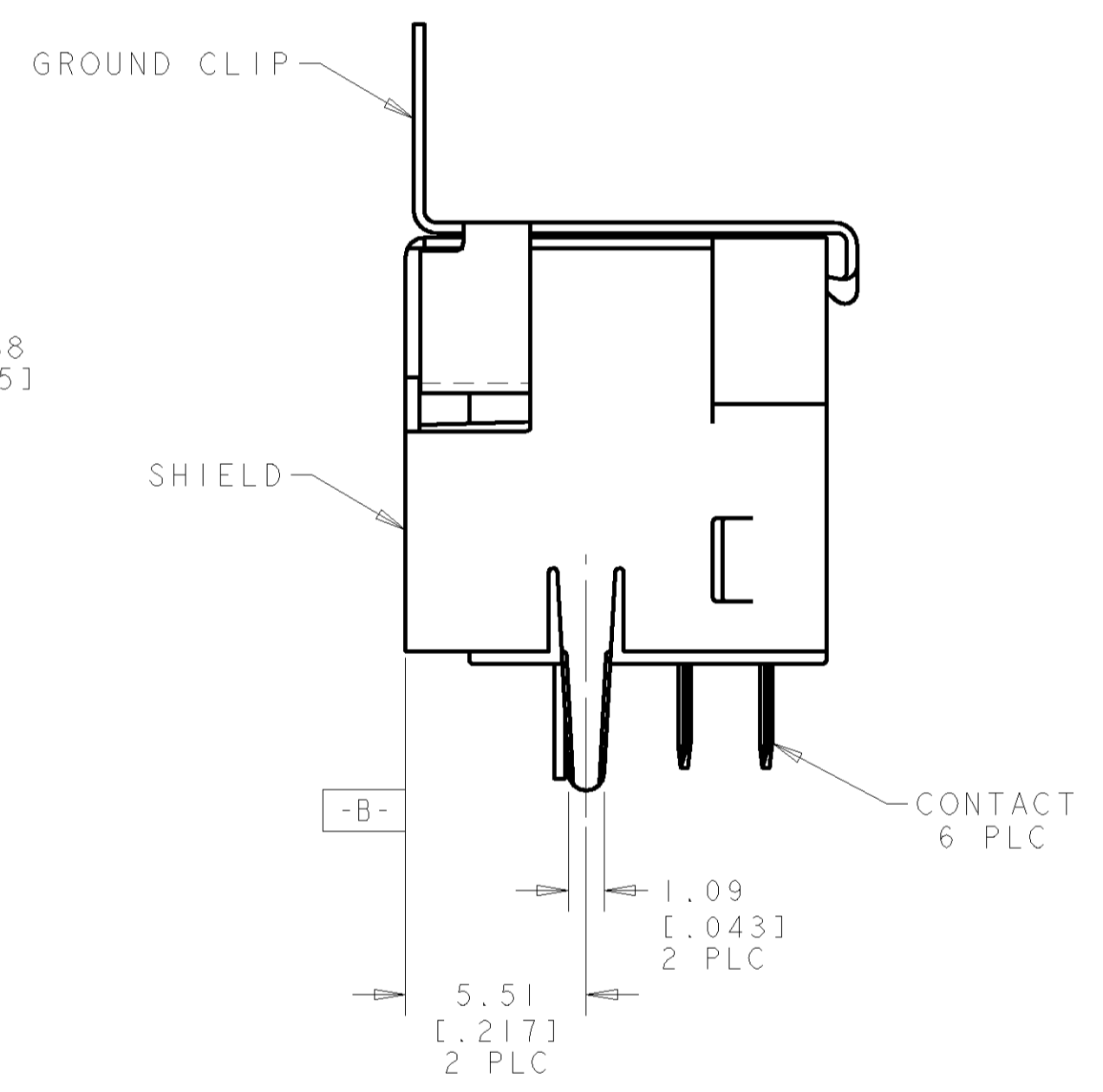
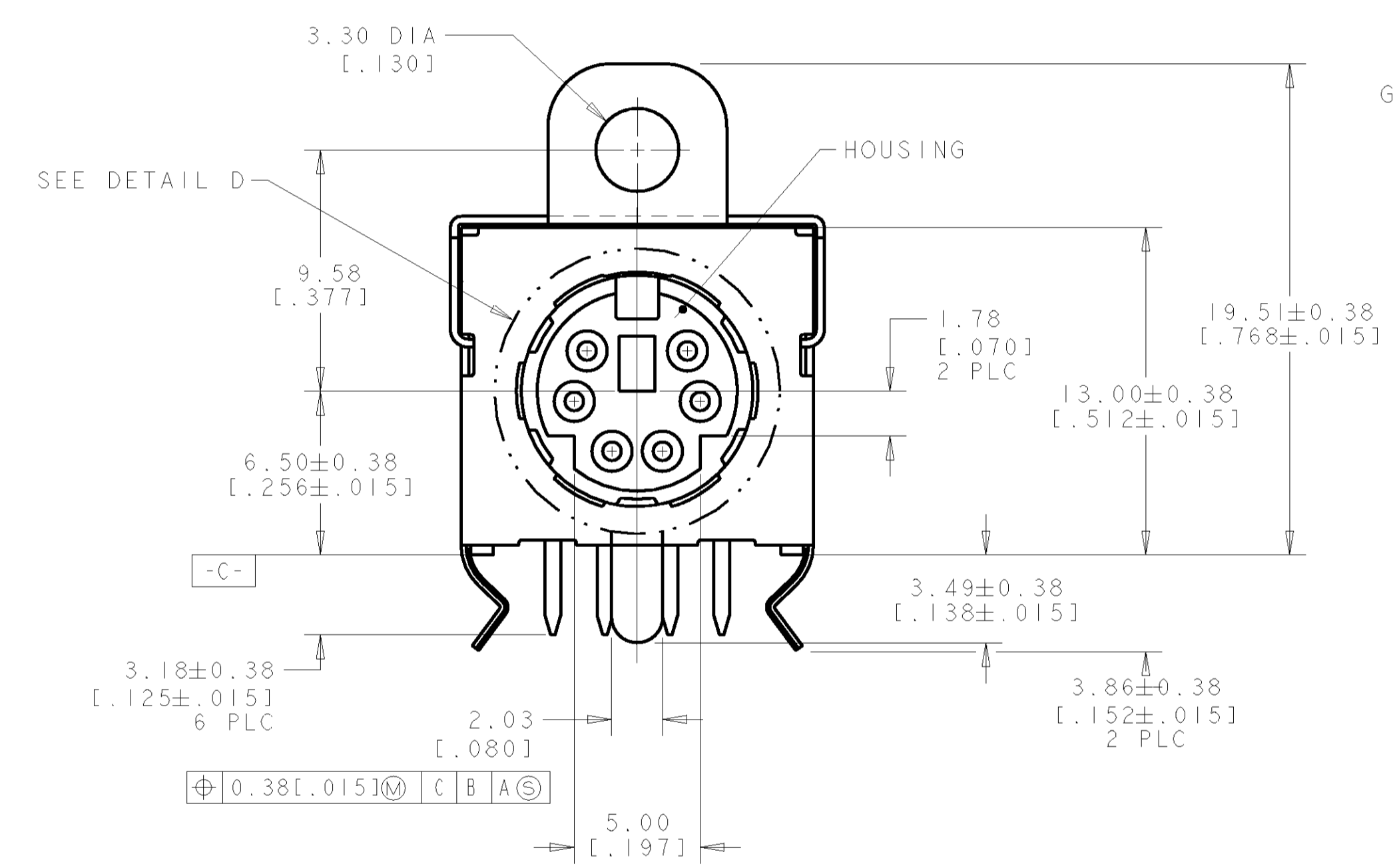
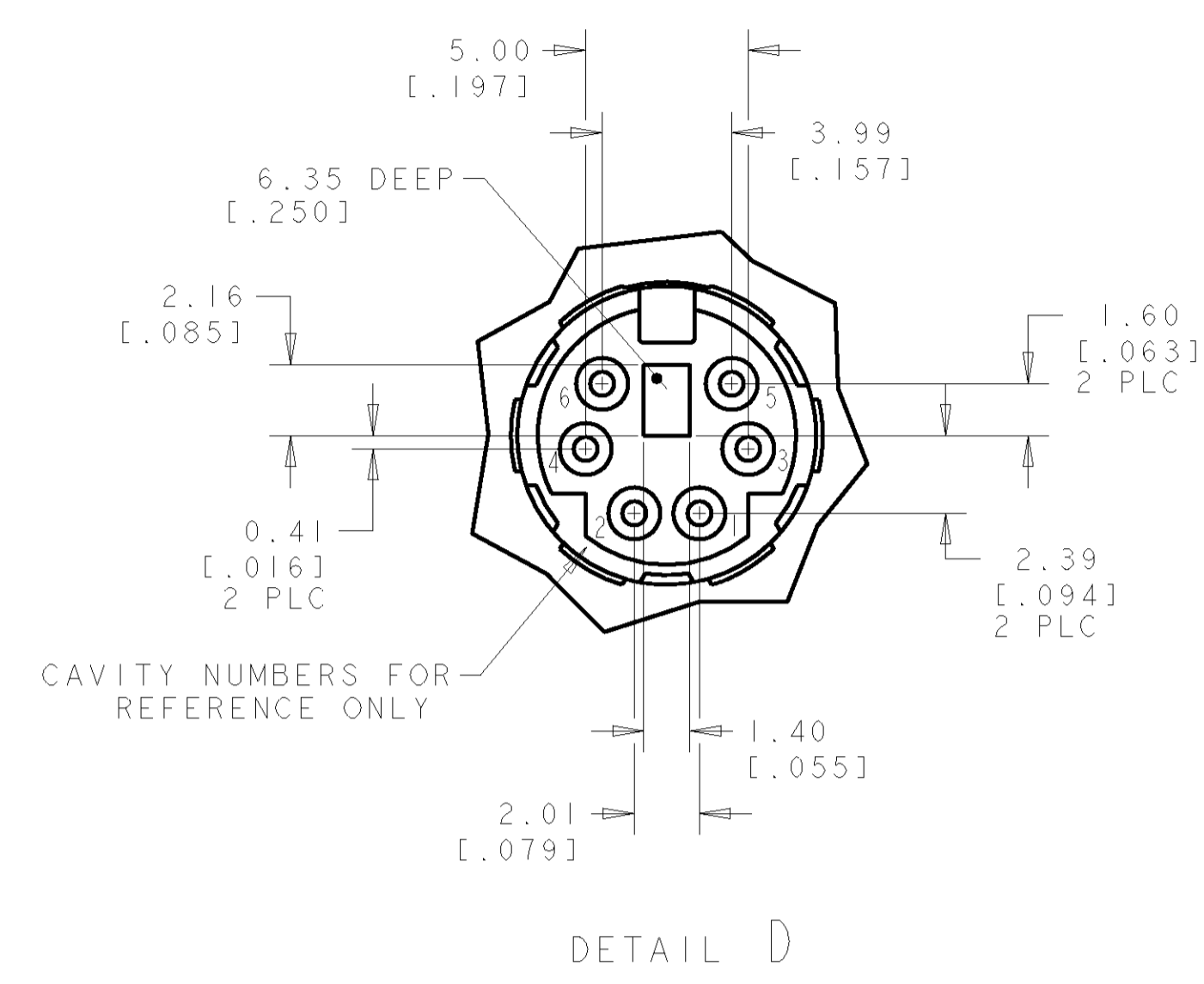
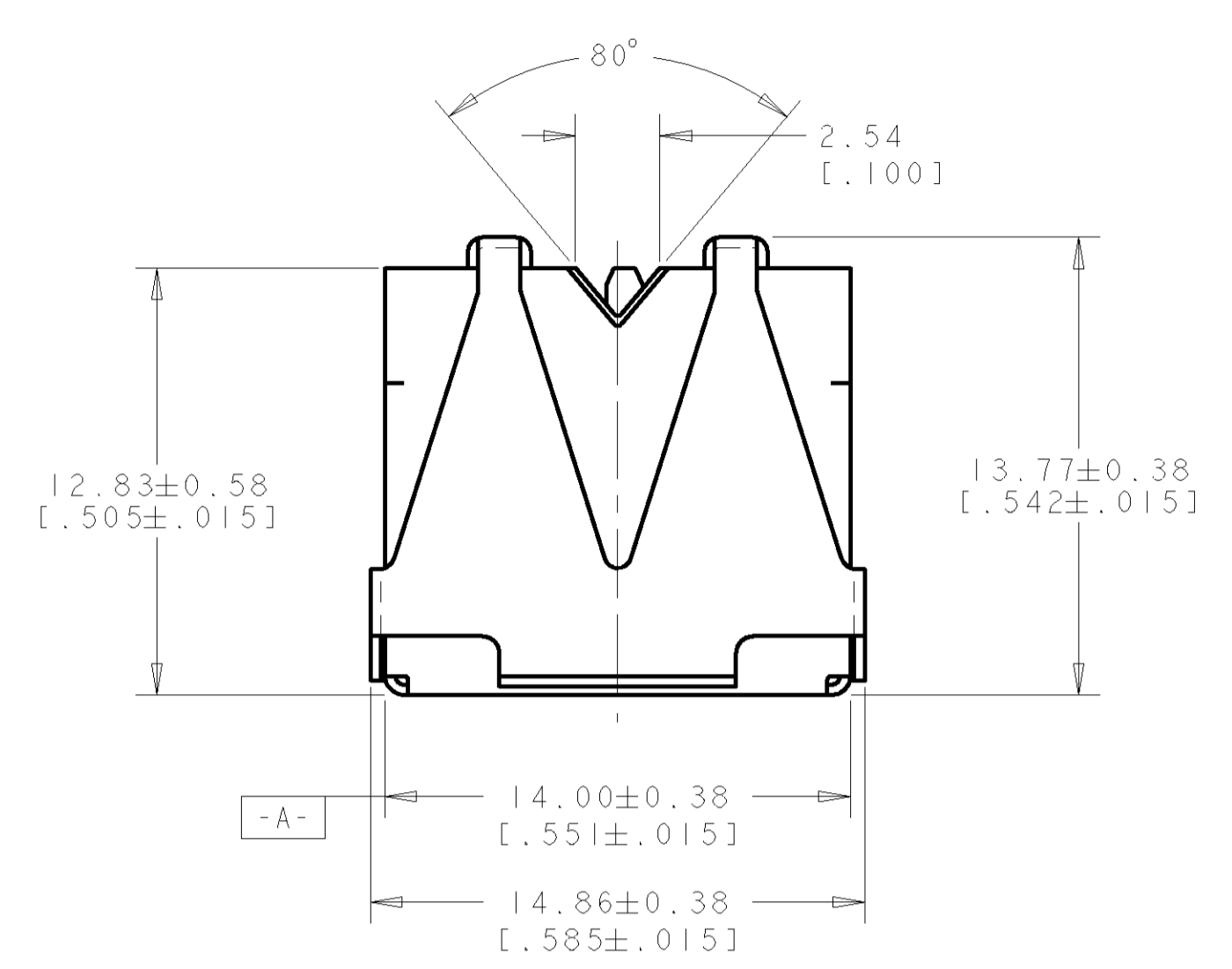


LOC	DIST	REVISIONS			
REV	DATE	DESCRIPTION	DATE	BY	APPD
0		NPR FPD0-0340-04		SJAN05	LWY LSF



DETAIL E  
SCALE 50:1

NOTES:

- 1 HOUSING: THERMOPLASTIC, UL 94V-0 RATED, GRAY
- 2 CONTACT & SHIELD: COPPER ALLOY
- 3 CONTACT: 0.76um [0.00030] MIN GOLD FOR A LENGTH OF 1.52 [0.060] MIN FROM MATING END, 3.05um [0.00120] MIN MATTE-TIN ON OPPOSITE END, BOTH OVER 1.27um [0.00050] MIN NICKEL, ENTIRE CONTACT.
- 4 SHIELD: PRE-TIN PLATED

P/N: 5750725-1 AS SHOWN

<small>THIS DRAWING IS A CONTROLLED DOCUMENT FOR AMP INCORPORATED. ALL DIMENSIONS, DIMENSIONS, AND THE CONTROLLER ON RECEIVING ORGANIZATION SHOULD BE CONTACTED FOR THE LATEST REVISION.</small>		DWN: WYLEE CBY: WYLEE APD: SE LEONG	05JAN2005 NAME: RECEPTACLE ASSY, W/ HOLD DOWN, SPECIAL, 7 POS, RIGHT ANGLE, MINIATURE CIRCULAR DIN
DIMENSIONS: mm [INCHES]	TOLERANCES UNLESS OTHERWISE SPECIFIED: 0 PLC ± 1 PLC ±0.13 [0.005] 5 PLC ± 4 PLC ± ANGLES ±	PRODUCT SPEC: 108-1225 APPLICATION SPEC: 114-40031	SIZE: A1 CAGE CODE: 00779 DRAWING NO: 5750725
MATERIAL	FINISH	WEIGHT	SCALE: 5:1 SHEET 1 OF 1 REV 0
1 2 5 3 4		CUSTOMER DRAWING	