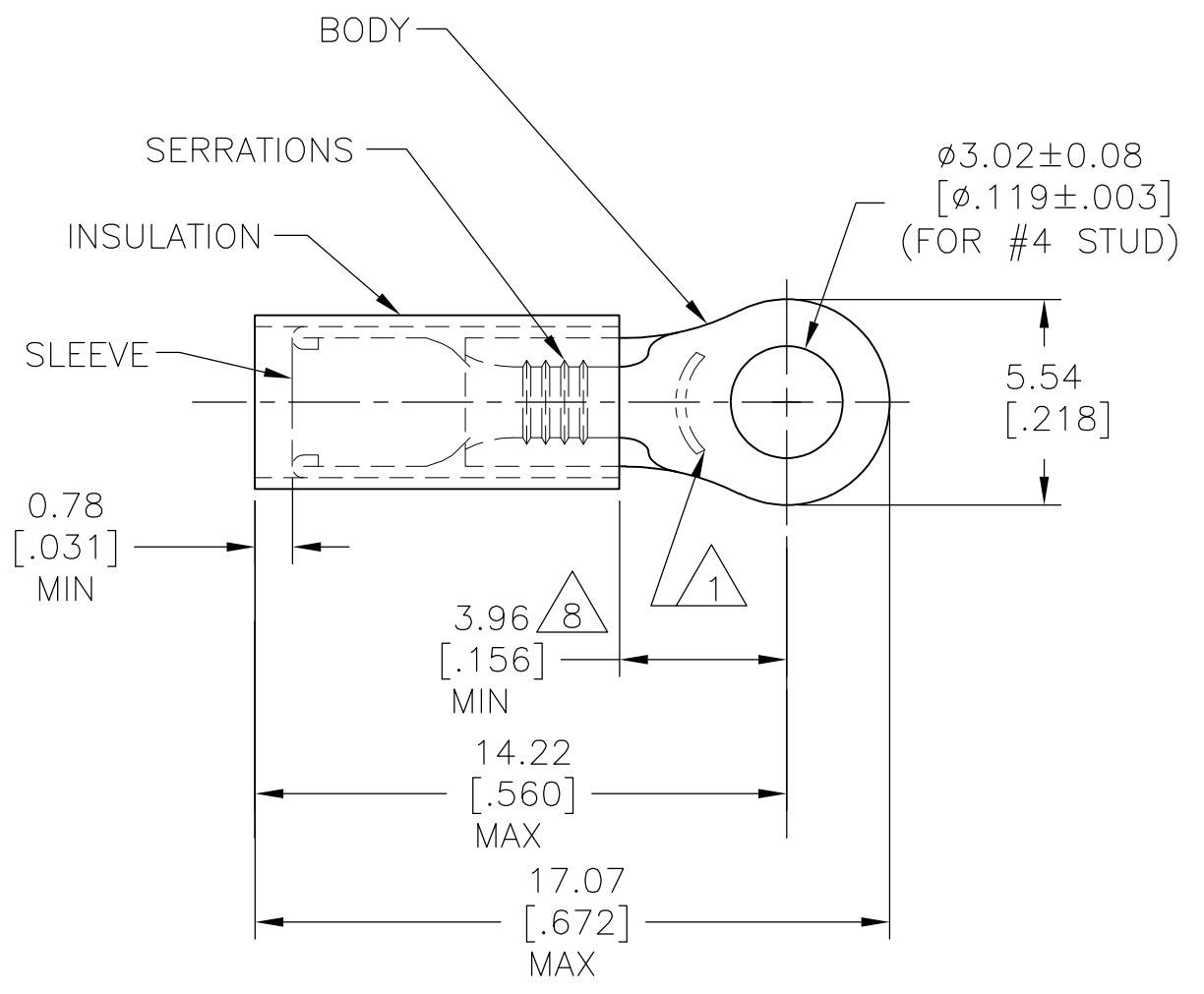


THIS DRAWING IS UNPUBLISHED. RELEASED FOR PUBLICATION
 © COPYRIGHT - By - ALL RIGHTS RESERVED.

REVISIONS				
P	LTR	DESCRIPTION	DATE	APVD
	H5	REVISED PER ECO-15-016493	27NOV2015	NK DR

- 1 STAMP "AMP 18-16*" APPROX AS SHOWN
- 2 FOR 1.40[.055] TO 3.43[.135] WIRE INSULATION DIA.
- 3 TONGUE MATERIAL THK: 0.79±0.05 [.031±.002]
- 4 BODY: MATERIAL: COPPER ASTM B152
FINISH: GOLD PL. PER ASTM B488, TYPE 1
CODE C, OVER NICKEL PER SAE AMS QQ-N-290.
- 5 SLEEVE: MATERIAL: COPPER ASTM B152
FINISH: NICKEL PL. SAE AMS QQ-N-290
0.0076 [.0003] AVG EXT THK.
- 6 INSULATION: MATERIAL: PTFE (ASTM D3295)
COLOR: ORANGE
- 7 INSULATION: PVDF
COLOR: ORANGE
- 8 DIMENSION APPLIES FROM EDGE OF METAL WIRE BARREL TO CENTER OF STUD HOLE



7	PRELIMINARY	1000	LOOSE PIECE	332452-1
		1000	LOOSE PIECE	332452
		PACKAGE QTY	PACAGE TYPE	PART NO.

AMP INCORPORATED CUSTOMER SERVICE SYSTEMS		MAX RECOMMENDED OPERATING TEMPERATURE: 260°C [500° F]	THIS DRAWING IS A CONTROLLED DOCUMENT.		DWN JR RUTH 11JUL05	STE TE Connectivity			
FOR ADDITIONAL PRODUCT INFORMATION OR COPIES OF DRAWINGS AND TECHNICAL DOCUMENTS	PRODUCT INFORMATION CENTER 1-800-522-6752	VOLTAGE RATING: 300V MAX	DIMENSIONS: mm [INCHES]	TOLERANCES UNLESS OTHERWISE SPECIFIED:	CHK T MICHELUTTI 11JUL05				
FOR APPLICATION TOOLING INFORMATION	TOOLING ASSISTANCE CENTER 1-800-722-1111	CIRCULAR MIL AREA: 0.81-1.42mm² [1,600-2,800] STRANDED WIRE ONLY		0 PLC ± - 1 PLC ± - 2 PLC ± 0.20[.008] 3 PLC ± - 4 PLC ± - ANGLES ± -	APVD T MICHELUTTI 11JUL05	APPLICATION SPEC			
FOR ORDER ENTRY	1-800-526-5142		MATERIAL	FINISH	PRODUCT SPEC	SIZE	CAGE CODE	DRAWING NO	RESTRICTED TO
			4 5 6 7	4 5 6 7	—	A3	00779	C-332452	—
CUSTOMER DRAWING					SCALE	5:1	SHEET	1 OF 1	REV H5