

5

4

3

2

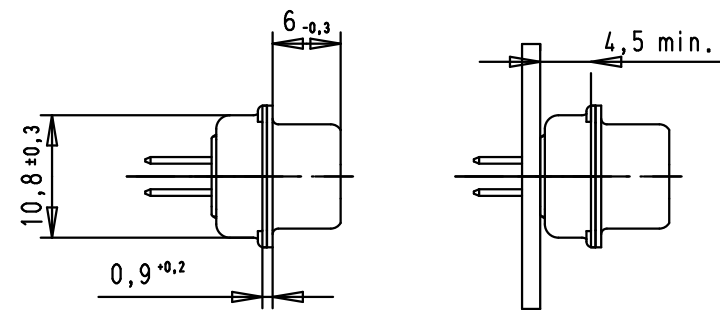
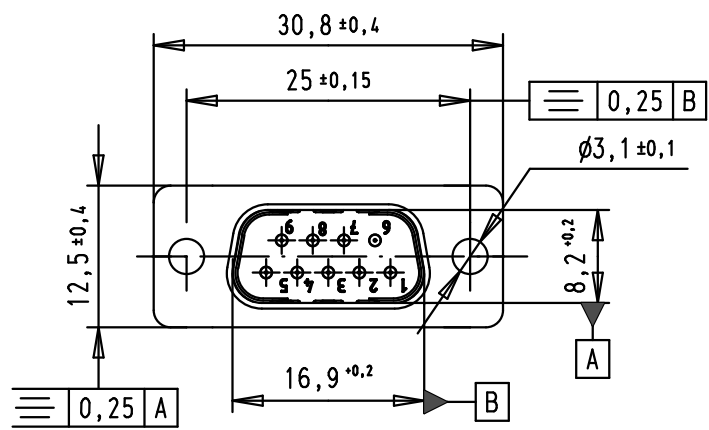
1

D

C

B

A



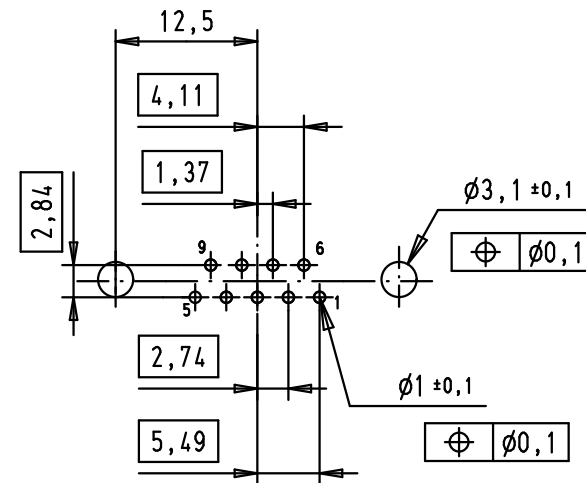
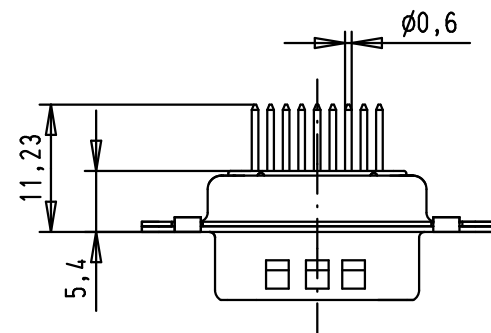
SPECIFICATION

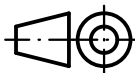

Performance level	PL2
Filter type	C
Capacitance	47pf±20%
Working Voltage	100V
Current rating	7.5 A
Insulation Resistance	>1GΩ

Minimum Insertion Loss

FREQUENCY (MHz)	ATTENUATION dB
5	-
10	-
50	-
100	-
500	30dB
1000	35dB

PCB Layout, Component side



				Dat.	Name	 All Dim. in mm Orig. Size DIN A 4	D-Sub, male, straight, 9 Poles, with turned solder pin, fixing hole	Ma?Mstab/ Scale 1.5:1
			Detail.	8-JUL-02	CV			
			Insp.	09/12/11	JB			
36283	09/12/11	SD	Stand.					
32802	11/07/05	JMDR						
31058	8-JUL-02	CV						
Mod.	Dat.	Name	HARTING EURL F-95972 Paris				TB 09641227210	Blatt/ Page 1 / 1