

SPECIFICATION CONTROL DRAWING

CONTACTS, ELECTRICAL CONNECTOR, SOCKET
 SOLDERACT[®], REMOVABLE, SHIELDED, SIZE 12, M39029/75 TYPE
 (FOR MIL-C-38999 SERIES I, III AND IV CONNECTORS)

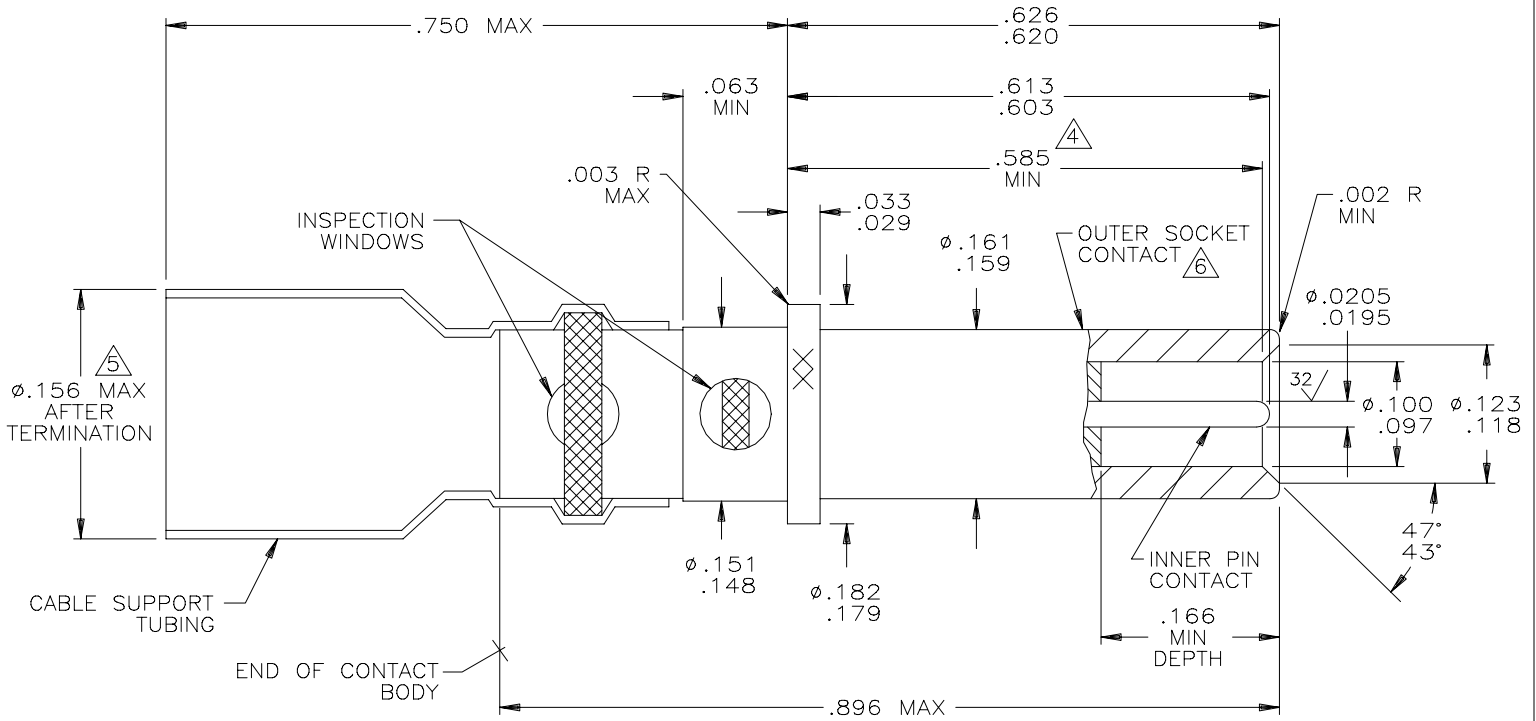


FIGURE 1.

1. DIMENSIONS ARE IN INCHES.
2. METRIC EQUIVALENTS CAN BE CALCULATED BASED UPON 1.00 INCH=25.4 m.m.
3. DIMENSIONS SHOWN APPLY AFTER PLATING.
4. POINT AT WHICH A SQUARE ENDED PIN OF THE SAME BASIC DIAMETER AS THE MATING CONTACT FIRST ENGAGES THE OUTER CONTACT SPRING. PROVISION FOR CLEARANCE HOLE SHALL BE PROVIDED.
5. SLEEVE RECOVERY: THE DIAMETER OF THE SHRINK TUBING OVER THE CABLE SHALL NOT EXCEED THE DIAMETER SHOWN.
6. MATES WITH .095/.093 DIA PIN
7. CONTACT WEIGHT: 1.441 GRAMS MAXIMUM UNTERMINATED

If this document is printed it becomes uncontrolled.
 Check for the latest revision.

NOTICE: THE INFORMATION GIVEN HEREIN IS BELIEVED TO BE RELIABLE, HOWEVER, RAYCHEM MAKES NO WARRANTIES AS TO ITS ACCURACY OR COMPLETENESS AND DISCLAIMS ANY LIABILITY IN CONNECTION WITH ITS USE. RAYCHEM'S OBLIGATIONS SHALL BE ONLY AS SET FORTH IN RAYCHEM'S STANDARD TERMS AND CONDITIONS OF SALE FOR THIS PRODUCT AND IN NO CASE WILL RAYCHEM BE LIABLE FOR ANY INCIDENTAL, INDIRECT OR CONSEQUENTIAL DAMAGES ARISING OUT OF THE SALE, RESALE, USE OR MISUSE OF THE PRODUCT.

UNLESS OTHERWISE SPECIFIED DIMENSIONS ARE IN INCHES. METRIC DIMENSIONS ARE IN BRACKETS.

DECIMALS
 .XXX ± [mm]
 .XX ± [mm]
 ANGLES ±

USERS OF RAYCHEM PRODUCTS SHOULD MAKE THEIR OWN EVALUATION TO DETERMINE THE SUITABILITY OF EACH SUCH PRODUCT FOR THE SPECIFIC APPLICATION.

PREPARED BY: <i>TJ</i>	CAD NAME: <i>XX1465-1</i>	CHECKED: <i>ZT</i>	APPROVED: <i>CP</i> DEV MGR.	DOCUMENT NUMBER: <i>D-602-0151</i>
DATE:		DATE:	DATE:	SHEET 1 of 5

SPECIFICATION CONTROL DRAWING

REQUIREMENTS:

DIMENSIONS (FIGURE 1), DESIGN CHARACTERISTICS, AND CONFIGURATION MEET THE REQUIREMENTS OF M39029/75 EXCEPT THAT THE TEMPERATURE RATING IS 125°C INSTEAD OF 200°C, TERMINATION IS BY SOLDERING INSTEAD OF CRIMPING. SEE TABLE I FOR CABLE ACCOMODATIONS.

THIS CONTACT IS QUALIFIED TO RAYCHEM SPECIFICATION D-6002.

MATING CONTACT: ~~D-602-0150~~ (M39029/28)

TOOLS: SEE TABLE II.

TABLE I. DESIGN CHARACTERISTICS

CABLE ACCOMODATED <u>1/</u>	CONTACT CAVITY SIZE	TYPE	CLASS
RAYCHEM 5022A1X*X RAYCHEM 9528A1X*X RAYCHEM 9528D1X*X	12	D	A

1/ OTHER APPLICATIONS USING DIFFERENT CABLES MAY BE ACCOMODATED. CONSULT CONTACT MANUFACTURER FOR DETAILS.

* DESIGNATION CAN BE REPLACED WITH NUMBER 1 OR 2.

TABLE II. TOOLS

HEATING TOOLS <u>2/</u>	REFLECTORS <u>2/</u>	STANDARD FIXTURE <u>2/</u>		REPAIR FIXTURE <u>2/</u>	INSTALLING TOOLS	REMOVAL TOOLS
		BASIC FIXTURE	ADAPTER			
AA-400 SUPER HEATER	#979663 MINI SOLDER SLEEVE	AD-1319 OR AD1567	AT-1319-24	AD-1566	M81969/8-09 OR M81969/14-04	M81969/8-10 OR M81969/14-04
CV-5300 MINI GUN	MG-1 SOLDERSLEEVE					

2/ SEE TERMINATION PROCEDURE: RAYCHEM ES-61223

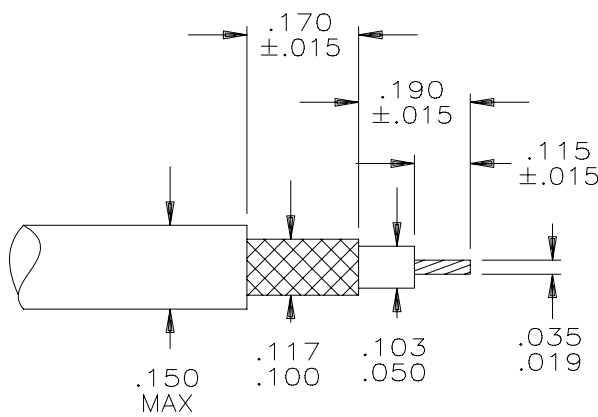
DOCUMENT NUMBER: <div style="text-align: center; font-size: 1.2em;">D-602-0151</div>	
CAD NAME: XX1465-2	SHEET 2 of 5

SPECIFICATION CONTROL DRAWING

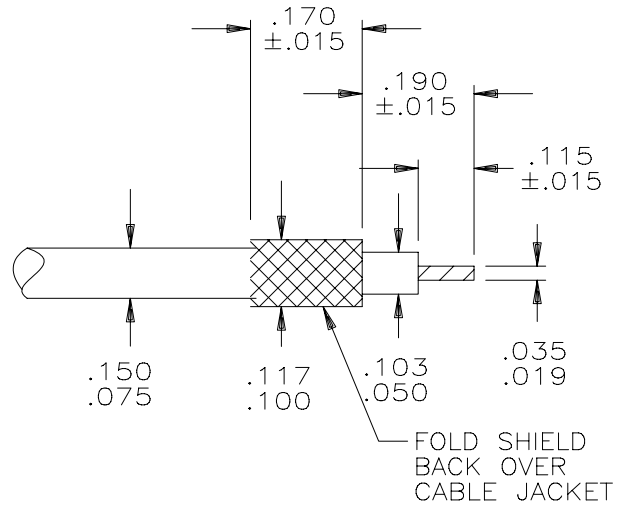
ASSEMBLY INSTRUCTIONS

1. STRIP CABLE AS SHOWN ON FIGURE 2.
2. INSERT CABLE INTO CONTACT UNTIL IT IS FULLY SEATED.
3. HEAT CONTACT WITH APPROPRIATE TOOLS AS SHOWN ON TABLE II UNTIL SOLDER MELTS AND FLOWS AND STRAIN RELIEF TUBING CONFORMS TO CABLE.
4. SEE TABLES I FOR CABLE ACCOMMODATION.

PREPARATION OF COAXIAL CABLE: 26 AWG AND LARGER CENTER CONDUCTOR

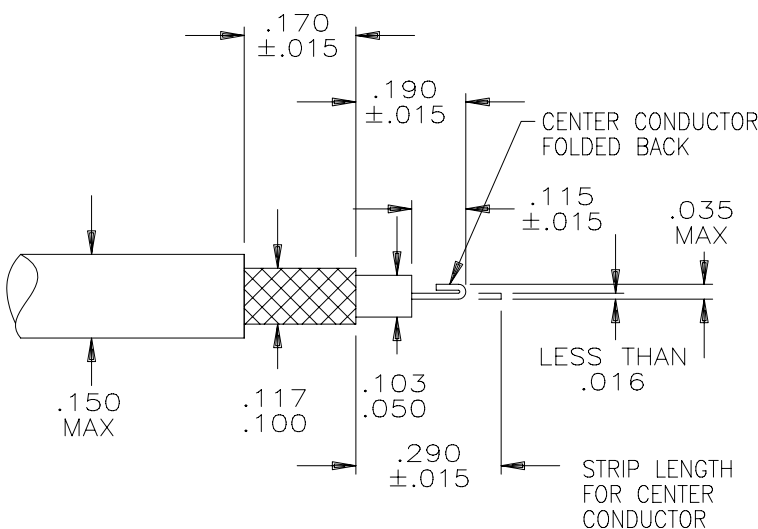


CABLE PREPARATION FOR STRAIGHT SHIELD

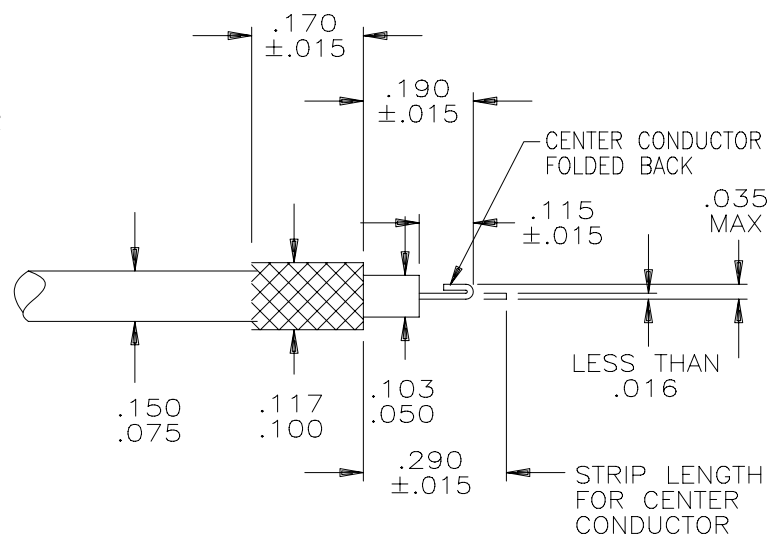


CABLE PREPARATION FOR FOLDBACK SHIELD

PREPARATION OF COAXIAL CABLE: 28 AWG AND SMALLER CENTER CONDUCTOR



CABLE PREPARATION FOR STRAIGHT SHIELD FOLDBACK CENTER CONDUCTOR



CABLE PREPARATION FOR FOLDBACK SHIELD FOLDBACK CENTER CONDUCTOR

FIGURE 2.

If this document is printed it becomes uncontrolled.
Check for the latest revision.

DOCUMENT NUMBER:

D-602-0151

CAD NAME: XX1465-3

SHEET 3 of 5

SPECIFICATION CONTROL DRAWING

CONTACT ENGAGEMENT AND SEPARATION FORCES (OUTER SOCKET CONTACT ONLY): THE ENGAGEMENT DEPTH SHALL BE AS ENCOUNTERED IN NORMAL SERVICE. THE TEST PINS SHALL BE IN ACCORDANCE WITH MS3197 EXCEPT THE DIAMETERS SHALL BE AS SPECIFIED IN THE FOLLOWING, AND SURFACE ROUGHNESS SHALL NOT EXCEED 3 MICROINCHES. PROVISIONS FOR CLEARANCE HOLE SHALL BE PROVIDED.

TABLE III

TEST PIN DIAMETER (INCH)	MINIMUM SEPARATION FORCE (OUNCES)		MAXIMUM ENGAGEMENT FORCE (OUNCES)	
	INITIAL	AFTER CONDITIONING	INITIAL	AFTER CONDITIONING
.0950 $\begin{matrix} +.0002 \\ -.0000 \end{matrix}$	N/A	N/A	30.0	36.0
.0930 $\begin{matrix} +.0000 \\ -.0002 \end{matrix}$	3.0	2.5	N/A	N/A

DIELECTRIC WITHSTANDING VOLTAGE (APPLIED BETWEEN INNER AND OUTER CONTACT):
TEST VOLTAGE:

- AT SEA LEVEL: 1000 VAC. RMS.
- AT 50,000 FEET: 250 VAC. RMS.

CONTACT RESISTANCE: SEE TABLE IV.

TABLE IV. CONTACT RESISTANCE

TEST CABLE	MAXIMUM VOLTAGE DROP (MILLIVOLTS)						TEST CURRENT (AMPS)	
	$25^{\circ} \begin{matrix} +3^{\circ} \\ -0^{\circ} \end{matrix} C$		$25^{\circ} \begin{matrix} +3^{\circ} \\ -0^{\circ} \end{matrix} C$ <u>3/</u>		$125^{\circ} \begin{matrix} +3^{\circ} \\ -0^{\circ} \end{matrix} C$			
	CONTACT		CONTACT		CONTACT		CONTACT	
	INNER	OUTER	INNER	OUTER	INNER	OUTER	INNER	OUTER
RAYCHEM 5022A1311 9528A1318 <u>4/</u> 9528D1024	20	60	24	72	30	90	1.0	12.0
	100	60	120	72	150	90	1.0	12.0
	60	60	72	72	90	90	1.0	12.0

3/ AFTER CONDITIONING.

If this document is printed it becomes uncontrolled.
Check for the latest revision.

4/ CENTER CONDUCTOR PLATED STEEL

DOCUMENT NUMBER: D-602-0151	
CAD NAME: XX1465-4	SHEET 4 of 5

SPECIFICATION CONTROL DRAWING

LOW SIGNAL LEVEL CONTACT RESISTANCE (INNER CONTACT ONLY): SEE TABLE V.
TENSILE STRENGTH (INNER AND OUTER CONTACT SOLDER JOINT): SEE TABLE V.

TABLE V. LOW SIGNAL LEVEL CONTACT RESISTANCE
(INNER CONTACT ONLY) AND TENSILE STRENGTH

TEST CABLE	MAXIMUM CONTACT RESISTANCE (MILLIOHMS)		MINIMUM TENSILE STRENGTH (POUNDS)	
	INITIAL	AFTER CONDITIONING	INNER CONTACT	OUTER CONTACT
<u>RAYCHEM</u>				
5022A1311	20	24	10	20
9528A1318 4/	100	120	6	20
9528D1024	60	72	6	20

4/ CENTER CONDUCTOR PLATED STEEL.

MATERIAL:	CONTACT BODY	BERYLLIUM COPPER, ALLOY 173, CONDITION H PER ASTM B196
	INNER CONTACT	BERYLLIUM COPPER, ALLOY 173, CONDITION H PER ASTM B196
	PLATING (CONTACT BODY AND INNER CONTACT)	GOLD PLATE PER MIL-G-45204 TYPE II, GRADE C 50 MICROINCHES MINIMUM OVER NICKEL PER QQ-N-290A 50 MICROINCHES MINIMUM OVER COPPER STRIKE - 40 MICROINCHES MAXIMUM
	SOLDER	Sn63 PER QQ-S-571
	FLUX	TYPE RMA PER QQ-S-571
	SHRINK TUBING	HEAT-SHRINKABLE, RADIATION-CROSSLINKED POLYVINYLIDENE FLUORIDE
	DIELECTRIC	ETFE FLUOROPOLYMER PER ASTM D3159

SHIPPING FIGURE 1 INDICATES THE ONE-PIECE ASSEMBLY. TERMINATION INSTRUCTIONS ARE TO BE SHIPPED WITH THE UNIT PACKAGE.

If this document is printed it becomes uncontrolled.
Check for the latest revision.

DOCUMENT NUMBER: <div style="text-align: center; font-size: large;">D-602-0151</div>	
CAD NAME: XX1465-5	SHEET 5 of 5