



# Mounting Clips for T-1 (3mm) & T-1 3/4 (5mm) LEDs



## Description and Features

### Series 4303MC

•This attractive and economical mounting clip installs quickly and provides secure mounting for T-1 high dome LEDs such as 4303F and 4300F Series.

Material: Black polypropylene

Mounting Hole:  $\varnothing$  0.169" (4.3mm) in panels 0.06"/0.08" thick.

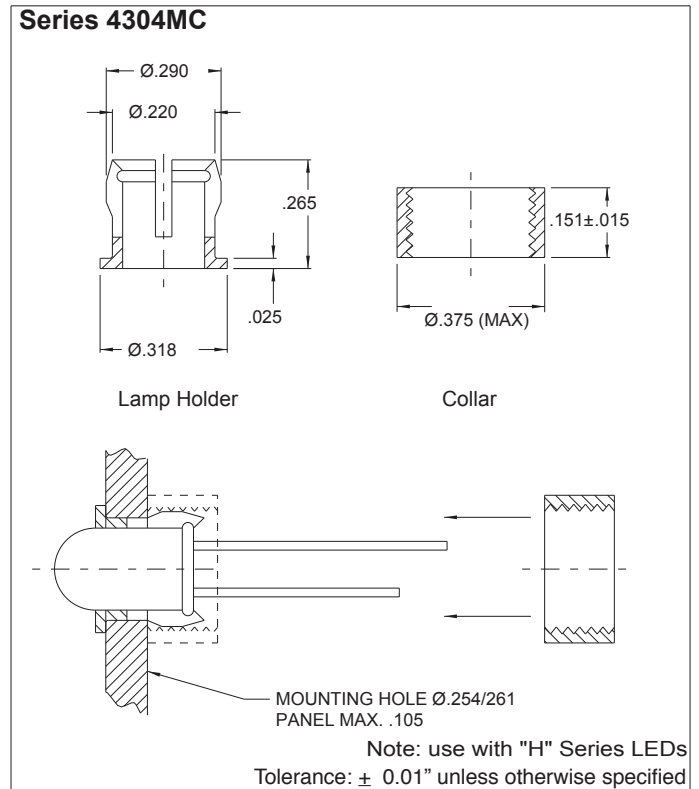
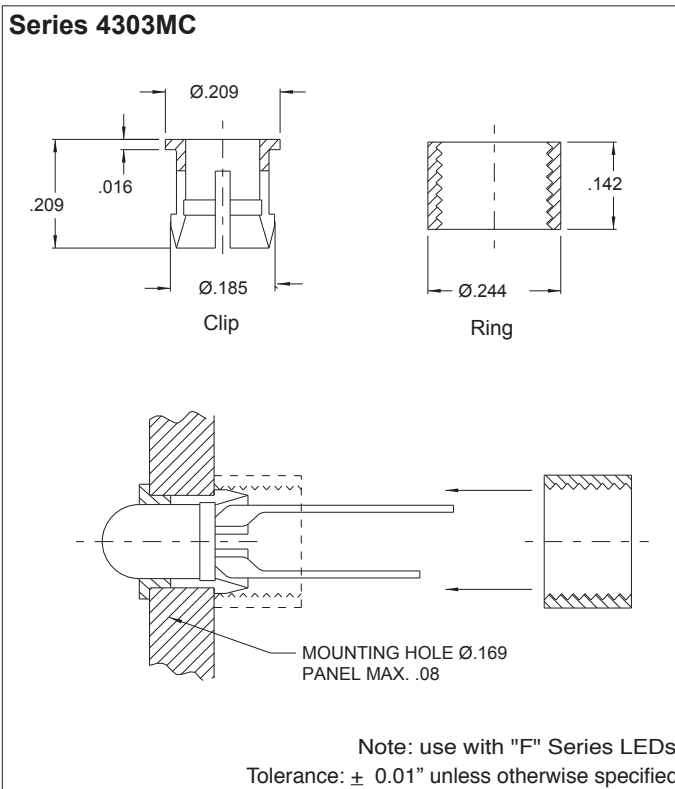
### Series 4304MC

•This attractive and economical mounting clip installs quickly and provides secure mounting for T-1 3/4 high dome LEDs such as 4301H, 4304H, 4305H or 4308H Series.

Material: Black polypropylene

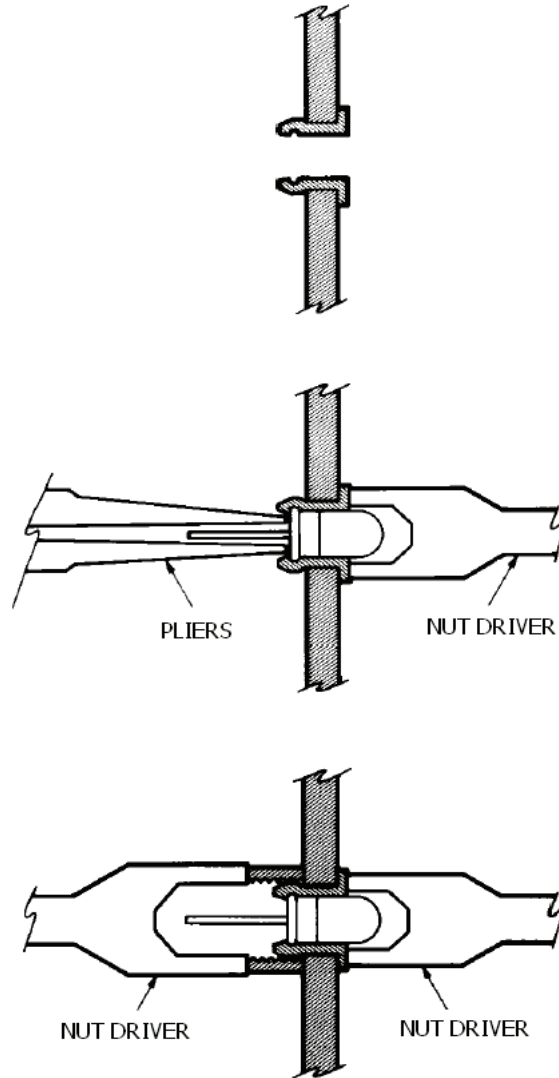
Mounting Hole:  $\varnothing$  0.254"/0.261" in panels 0.060"/0.105" thick.

## Product Dimensions



All dimensions in inches.

## Mounting Instructions



## Compliances and Approvals

