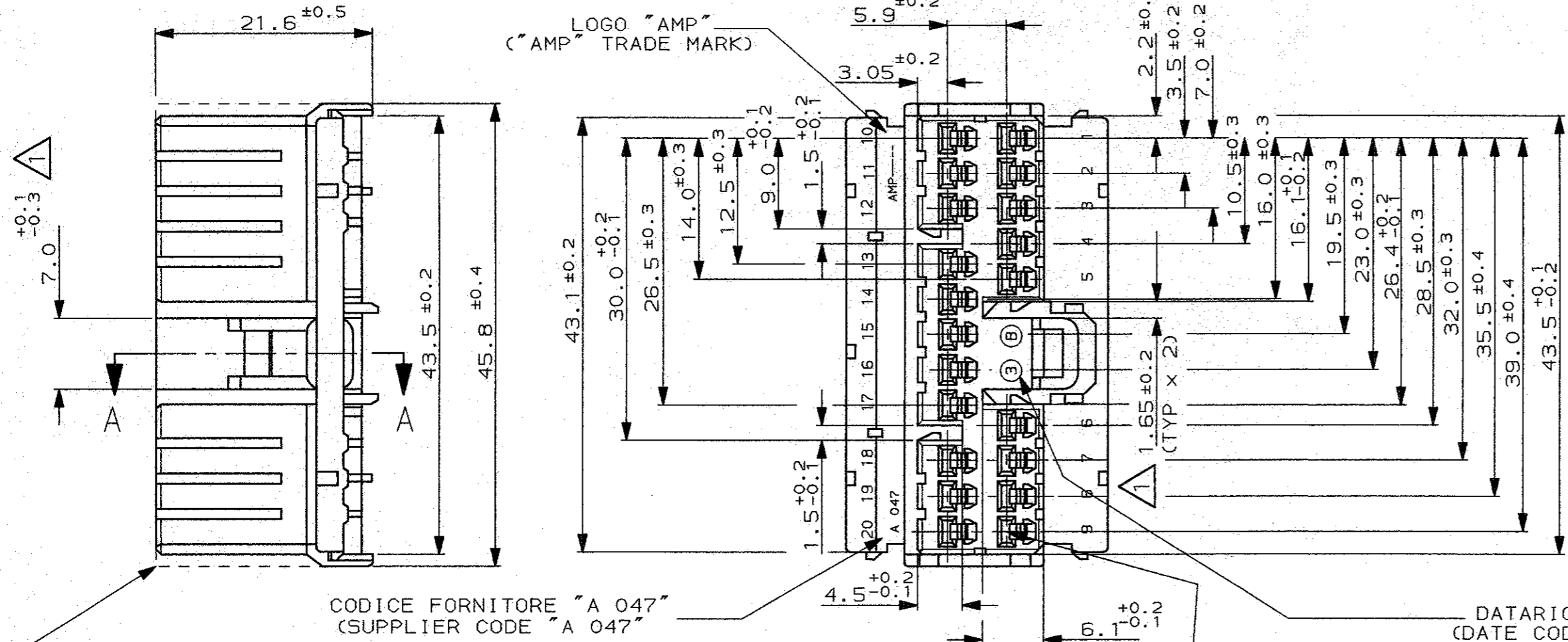
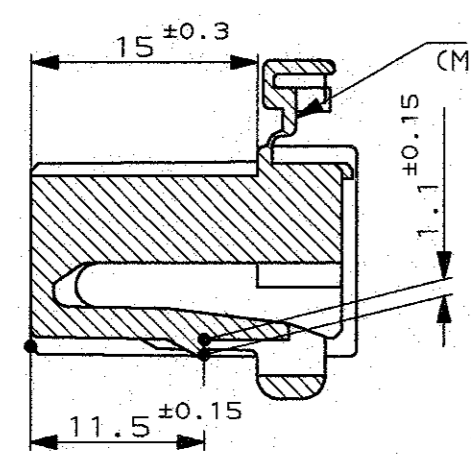


USED ON



- 1 QUOTA VALIDA SOLO PER VERSIONE 282369-1 (VALID DIMENSION ONLY FOR 282369-1 VERSION)
- 2 QUOTA VALIDA PER VERSIONI POLARIZZATE P/N 282369-2; -3; -4 (VALID DIMENSION ONLY FOR P/N 282369-2; -3; -4 VERSION)
- 3) PER RAPPRESENTAZIONE DIMA CONTROPARTE VEDERE FOGLIO 2 DI 2. (FOR COUNTERPART DETAIL SEE SHEET 2 OF 2)

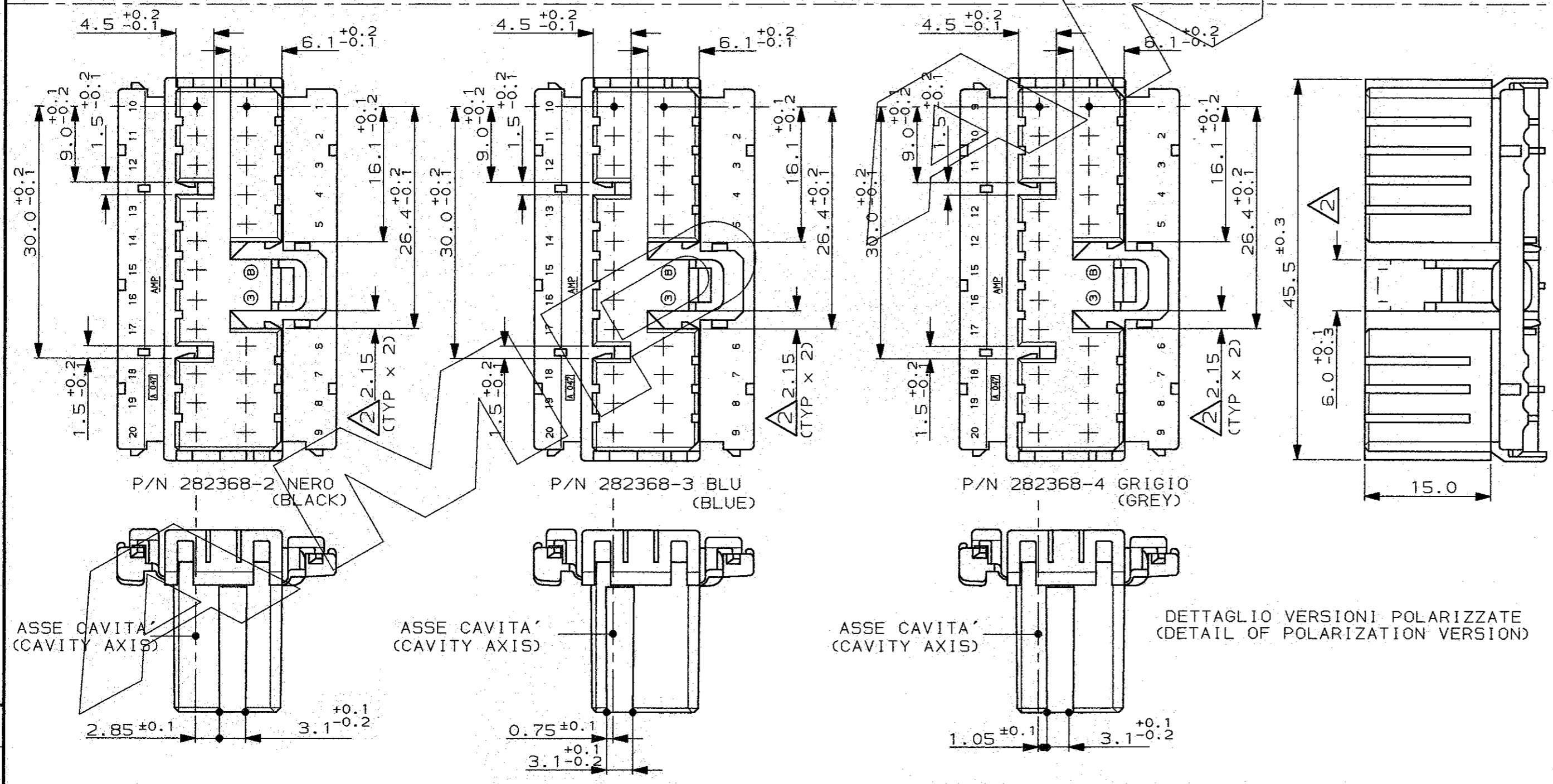
PER VERSIONI POLARIZZATE VEDERE DETTAGLIO (SEE DETAIL FOR POLARIZATION VERSION)



NO. DI IMPRONTA STAMPO (MOULD CAVITY IDENTIF. NO.)

CAVITA' ADATTE PER CONTATTI P/N: (CAVITIES SUITABLE FOR CONTACTS P/N:)  
 282374-1 SEZ. 0.3-0.5mm<sup>2</sup> (COD.FIAT 1/23197/44)  
 282375-1 SEZ. 0.75-1.5mm<sup>2</sup> (COD.FIAT 1/24834/44)

NUM. DI CAVITA' (CIRCUIT. IDENTIF. NO.)



282526-4 VERS. VERTICALE (VERTICAL VERS.)	NON DISPONIBILE (NOT AVAILABLE)	GRIGIO (GREY)	PBT UNFILLED)	282369-4
282526-3 VERS. VERTICALE (VERTICAL VERS.)	NON DISPONIBILE (NOT AVAILABLE)	BLU (BLUE)		282369-3
282526-2 VERS. VERTICALE (VERTICAL VERS.)	NON DISPONIBILE (NOT AVAILABLE)	NERO (BLACK)		282369-2
282632-1 VERS. ORIZZONTALE (HORIZONTAL VERS.) 282526-1 VERS. VERTICALE (VERTICAL VERS.)	174936-1 VERSIONE STANDARD (STANDARD VERSION) 174938-1 MONTAG. SU PANNELLO (FOR PANEL MOUNT)	BIANCO (NATURAL)		282369-1
CONTROP. P.C.B. (P.C.B. HEADER ASSY)	PORTAMASCHI VOLANTE (CAP HOUSING)	COLORE (COLOUR)	MATERIALE (MATERIAL)	NUMERO (PART NUMBER)

CUSTOMER DWG. FOR REFERENCE ONLY / DISEGNO PER CLIENTE SOLO PER RIFERIMENTO

THIS DRAWING IS UNPUBLISHED / RELEASE FOR PUBLICATION  
 © COPYRIGHT 19 BY AMP INCORPORATED, HARRISBURG, PA. ALL INTERNATIONAL RIGHT RESERVED. AMP PRODUCTS MAY BE COVERED BY U.S. AND FOREIGN PATENT AND/OR PATENT PENDING  
 TOLLERANZE: SE NON DIVERSAMENTE SPECIFICATO (TOLERANCES: UNLESS OTHERWISE SPECIFIED)  
 DIAM. ISOLANTE (INS. DIA. RANGE) / RANGO FILO (WIRE RANGE) / SCALA (SCALE)  
 2:1

C1	REVISED PER ECR-13-004824	M.G.	28 MAR 2015	± 0.3
C	REVISED FOR ET00-0298-97	M.P.	29-7-97	± 2°
A	IN PRODUZIONE	M.P.	24-10-97	
2	AGG. CODICE FIAT	R.M.	25-10-93	
1	RIDISEGN. E AGGIORNATO	R.M.	1-3-93	
0	PRIMA EMISSIONE	L.G.	25-4-92	
REV.	REVISIONI (REVISION RECORD)	DIS. DATA (DR DATE)	APP. (APP.)	



DESCRIZIONE (DESCRIPTION) 070 SERIES MULTILOCK\*  
 CONN. PLUG HOUSING 20 POSITION (PORTAFEMMINA) DOUBLE ROW  
 LOC. SIZE NUMERO (DWG NO) C-282369  
 REV. C1  
 FOGLIO (SHEET) 11 DI (OF) 2

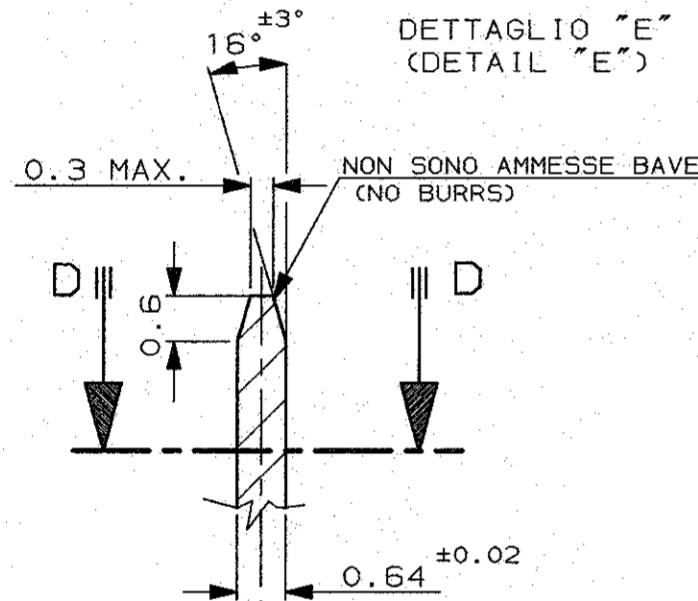
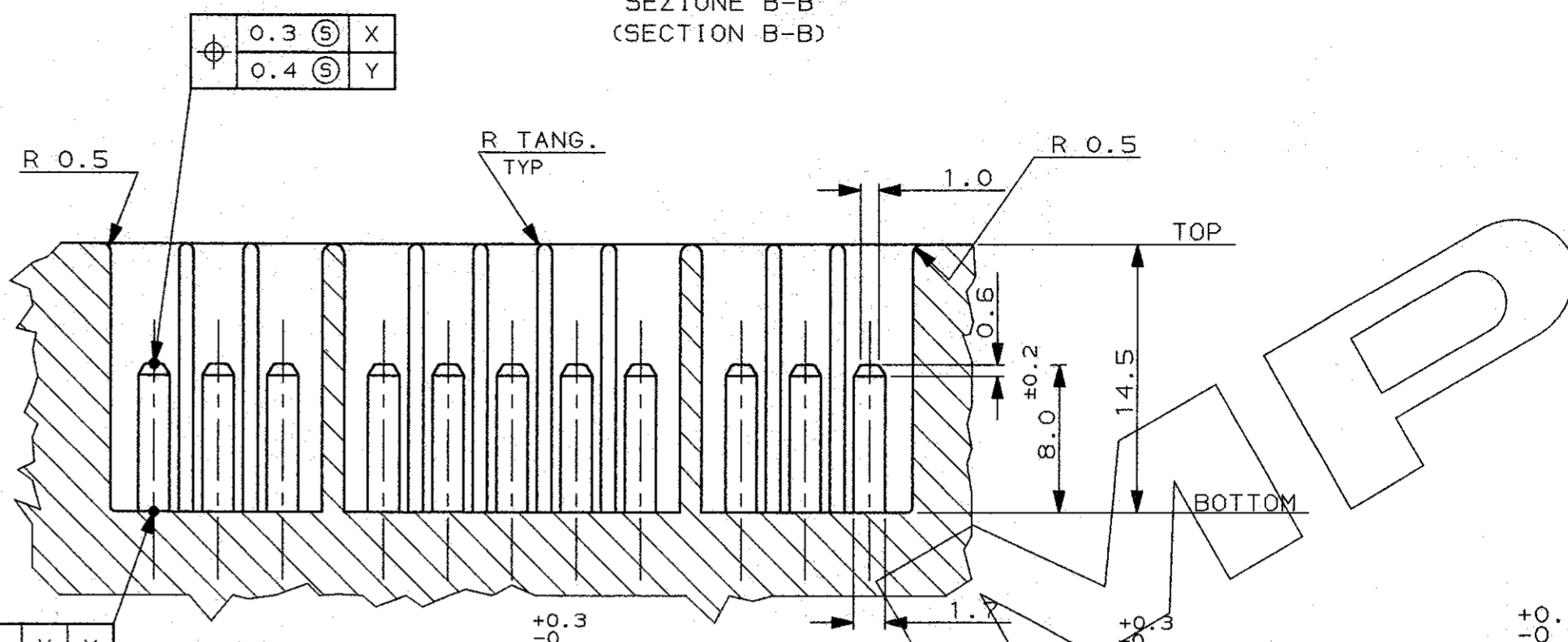
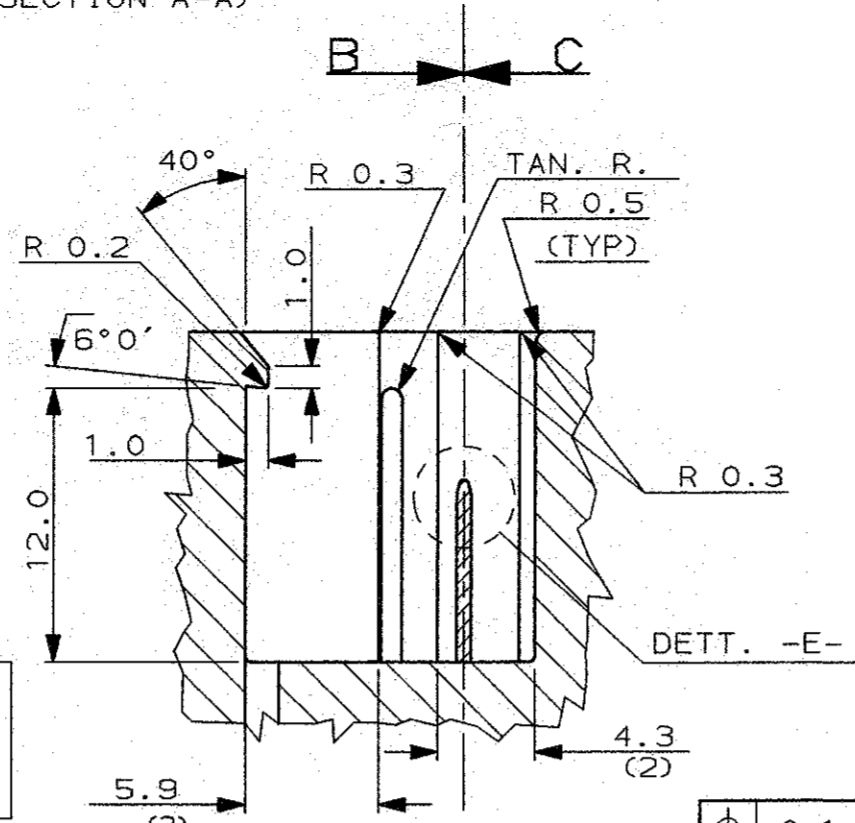
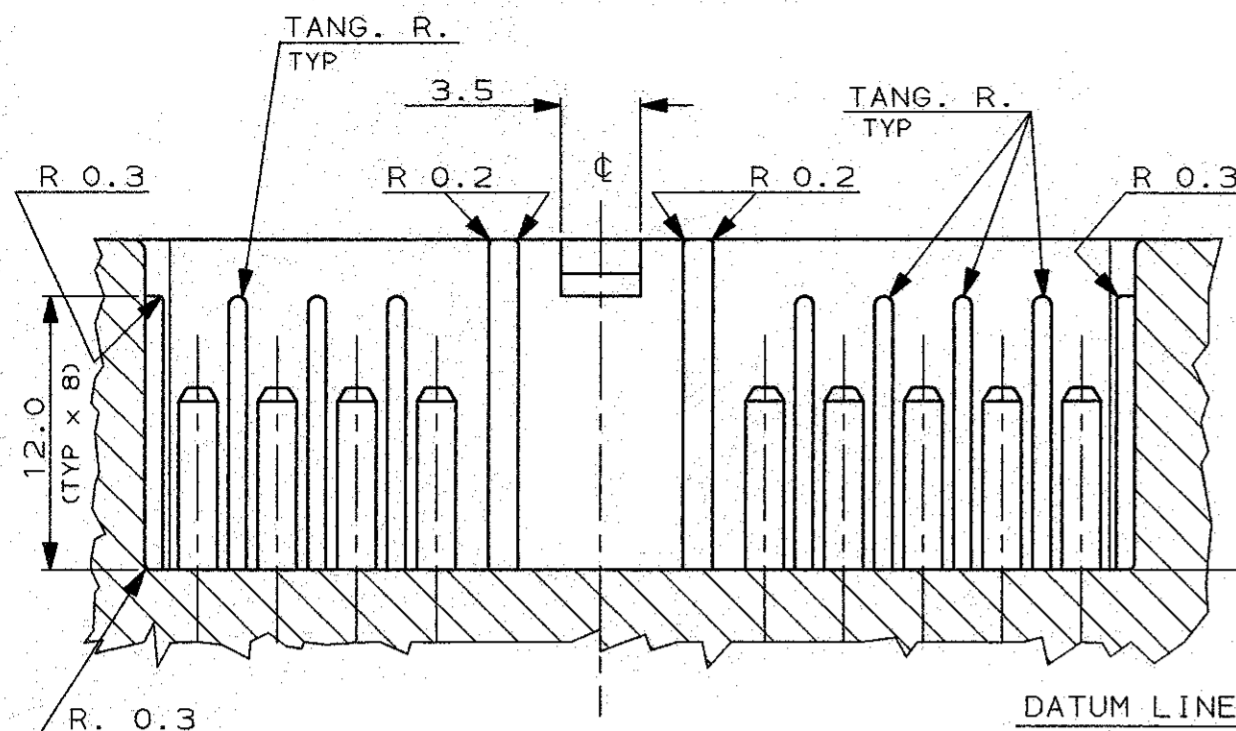
THIS INFORMATION IS CONFIDENTIAL AND IS DISCLOSED TO YOU ON THE CONDITION THAT NO FURTHER DISCLOSURE IS MADE BY YOU TO OTHER THAN AMP PERSONNEL WITHOUT WRITTEN AUTHORIZATION FROM AMP ITALIA S.p.A.

DWG. NO. C-282369  
 USED ON

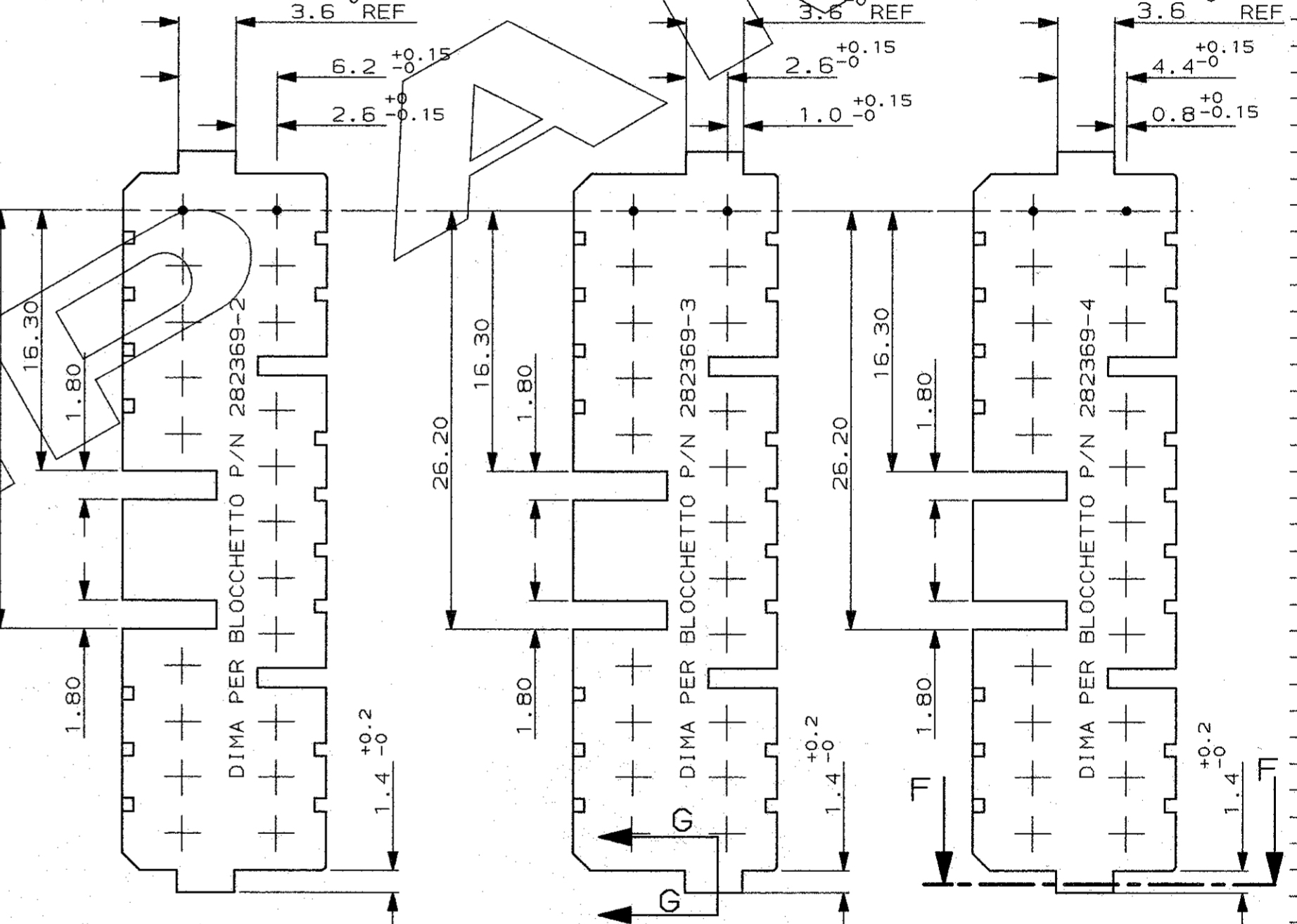
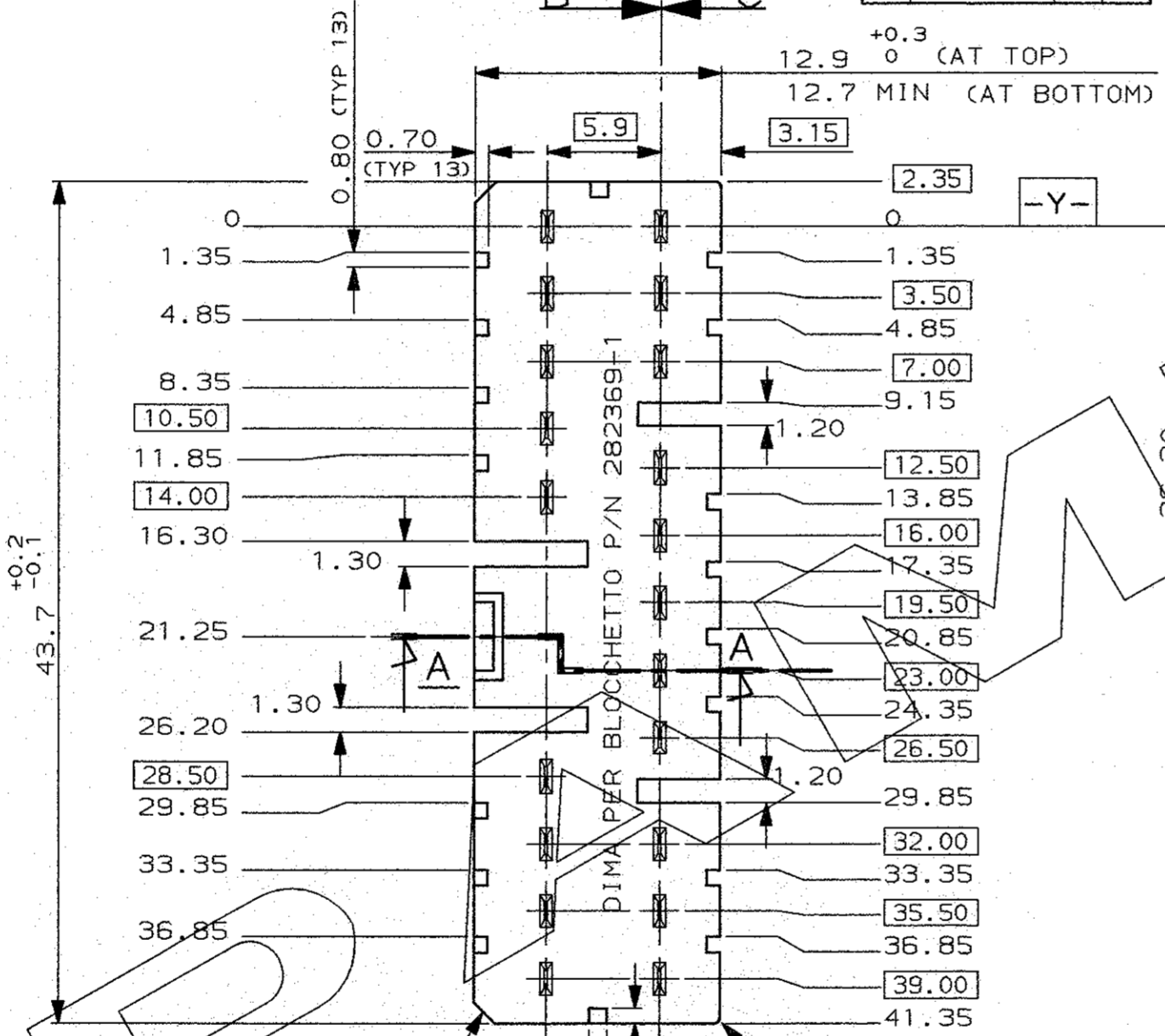
SEZIONE C-C  
(SECTION C-C)

SEZIONE A-A  
(SECTION A-A)

SEZIONE B-B  
(SECTION B-B)



SEZIONE D-D  
(SECTION D-D)



SEZIONE G-G  
(SECTION G-G)

SEZIONE F-F  
(SECTION F-F)

TAB. OTTONE TEMPRA 4, STAGNATO  
(TAB. BRASS TEMPER 4, TIN PLATED)

CONIARE LE BAVE DI TRACIATURA  
(NO TRIMMING BURRS ADMITABLE)

THIS INFORMATION IS CONFIDENTIAL AND IS DISCLOSED TO YOU ON THE CONDITION THAT NO OTHER INFORMATION IS MADE BY YOU FOR THE USE OF OTHER PERSONNEL WITHOUT WRITTEN AUTHORIZATION FROM AMP ITALIA S.P.A.

DO NOT SCALE		UNLESS OTHERWISE SPECIFIED	
REMOVE BURRS BREAK EDGES		METRIC (mm) INCHES (")	
SURFACE TEXTURE			
Q.TY REQ. 'D' PER UNIT		EUROPEAN PROJECTION 0 DEC. PLACE ±0.3 1 DEC. PLACE ±0.1 2 DEC. PLACE ±0.05	
MATERIAL		THIRD ANGLE PROJECTION 2 DEC. PLACE ±0.02 3 DEC. PLACE ±0.03 4 DEC. PLACE ±0.006	
HT. TR.		ANGLES ±0°30'	
FINISH		SCALE 3:1	
DR.		TE Connectivity	
CHK.		NAME	
APP.		070 SERIES MULTILOCK* CONN 20 POS. DOUBLE ROW (DIME DI MONTAGGIO)	
REV. LTR.	REVISION RECORD	DR. DATE	E.C.N.
LOC. SIZE SHEET		DWG. NO.	
1 A2 2 of 2		C-282369	