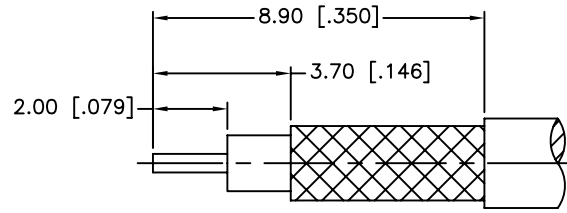
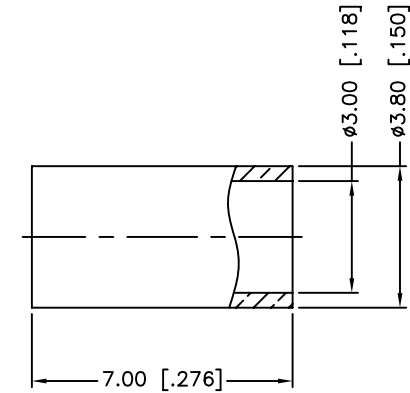
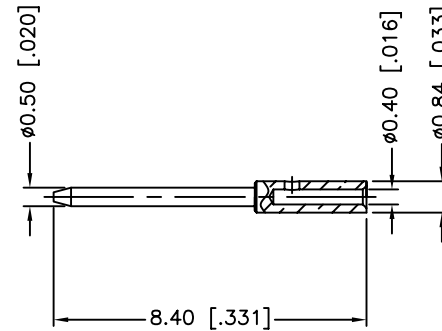
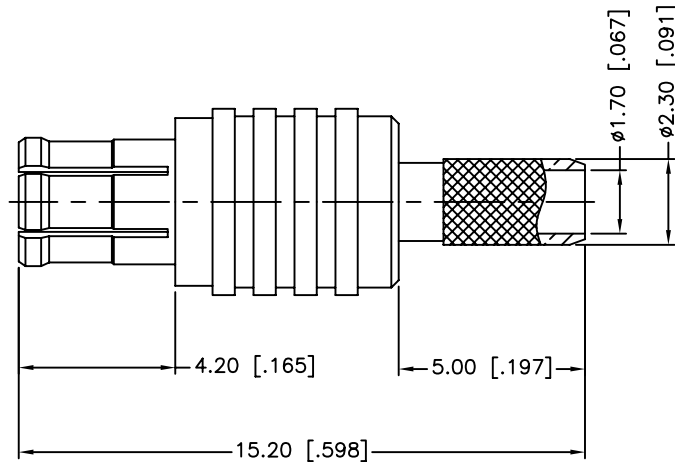


REV.	DATE	ECR NO.	DESCRIPTION
NC	08/13/07	XXXXXX	INITIAL RELEASE
A	03/24/09	XXXXXX	UPDATE BARREL, CONTACT PIN, FERRULE DIMENSIONS
B	08/19/11	2218	UPDATE CONTACT PIN DIMENSION



RECOMMENDED  
CABLE STRIPPING DIM'S



NOTE:

1. CRIMPED FERRULE HEX CRIMP SIZE .128" [3.25]
2. CONTACT PIN TO SOLDER.

				UNLESS OTHERWISE SPECIFIED DIMENSIONS ARE IN MILLIMETERS. DIMENSIONS IN [ ] ARE IN INCHES AND FOR CUSTOMER REFERENCE ONLY.	APPROVALS	DATE	<b>Amphenol Connex</b>				
				UNLESS OTHERWISE SPECIFIED TOLERANCES FOR MILLIMETERS ARE: 0.5 - 8mm ± 0.20mm 8 - 30mm ± 0.40mm 30 - 120mm ± 0.50mm UNLESS OTHERWISE SPECIFIED TOLERANCES FOR INCHES ARE: .020 - .315 = ± 0.007" .315 - 1.180 = ± 0.015" 1.180 - 4.724 = ± 0.020"	DRAWN S.LI	08/19/11				PART DESCRIPTION <b>MCX CRIMP PLUG (FOR RG-179A/U, 179B/U, 187A/U)</b>	
5	FERRULE	COPPER	NICKEL	1	CHECKED		PART NO. <b>252101-75</b>				
4	CONTACT PIN	BRASS	GOLD	1	ISSUED					DWG. NO. 252101-75.DWG	
3	INSULATOR	PTFE	NATURAL	1	SHEET 1 OF 1		REV. B	SIZE A	SCALE NA		
2	BODY	BER. COPPER	GOLD	1	DO NOT SCALE DRAWING					CAD FILE C:/CONNEX/252101-75.DWG	
1	HOUSING	BRASS	NICKEL	1							
DESCRIPTION				MATERIAL	FINISH	QTY					