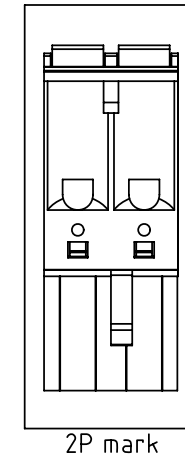
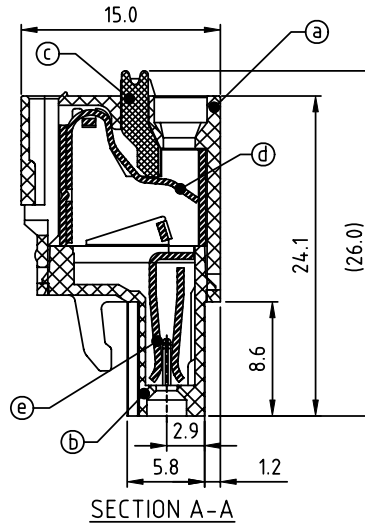
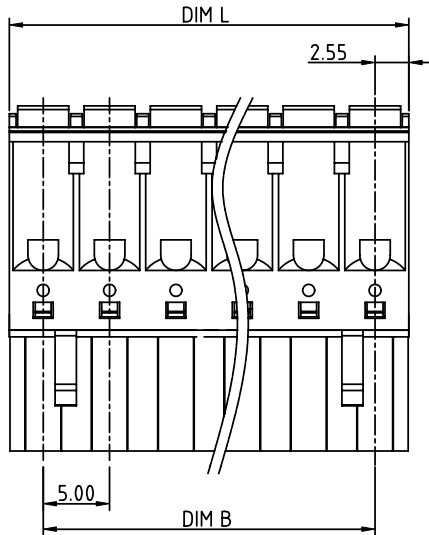
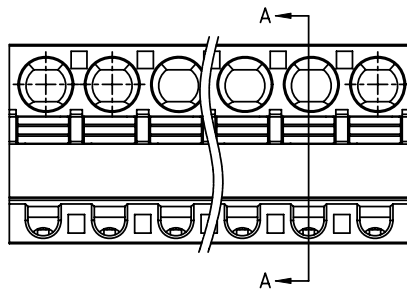


PRODUCT NUMBER	PITCH
HWxx70x000J0G	5.00 mm



Material:

- Item (a) Top body: Thermoplastic (UL94V-0)
- Item (b) Bottom body: Thermoplastic (UL94V-0)
- Item (c) Terminal lever: Thermoplastic (UL94V-0) Orange (RAL2011/P)
- Item (d) Spring clamp: Stainless Steel
- Item (e) Female contact: PhBz (CuSn) Tin plated

Electrical cULus

- Voltage rating: 300V
- Current rating: 10A
- Solid wire (AWG): 12-26
- Stranded wire (AWG): 12-26
- Wire strip length: 8-9mm
- Withstanding Voltage: 1.6KV
- Operating temperature: -40°C to +115°C
- Safety Approval: cULus

PART NO.: HW xx 7 0 x 0 00J0 G

N=Number of poles

Dim L = N x 5.00 + 0.10
Dim B = (N-1) x 5.00

Poles	Tolerance
2P-6P	±0.15
7P-12P	±0.20
13P-18P	±0.25
19P-24P	±0.30

Solid block	No. of poles	Color	RoHS compliant (lead<4%) In copper Alloy
0	2	Black (RAL9005)	
02	2 poles	Red (RAL3001/D)	
03	3 poles	Orange (RAL2011/P)	
4	...	Yellow (RAL1018/A)	
5	...	Green (RAL6018/T)	
6	24 poles	Blue (RAL5015/A)	
8		Grey (RAL7035/D)	
9		White (RAL1102)	
C		Green (RAL6018/U)	

mat'l. code		surface ASME Y14.5	tolerance ASME Y14.5	projection	product family
ltr	ecn no	dr	date		TERMINAL BLOCK
				tolerances unless otherwise specified	title
				angles $\frac{b}{L}$	TERMINAL BLOCK SPRING CLAMP, PLUGGABLE PLUG, CONTACT ON DOWN SIDE
				X ± 0.5	
				X.X ± 0.3	scale
				X.XX ± 0.1	MM
				dr	scale
				ENGR	FCI
				EVIN ZHONG	051514
				chr	051514
				HANKE FENG	051514
				appd	051514
				SHI JUN	051514
sheet index	revision	A		dwg no	sheet 1 of 1
1	sheet	1		HWxx70x000J0G	size A4
				type	CUSTOMER Drawing