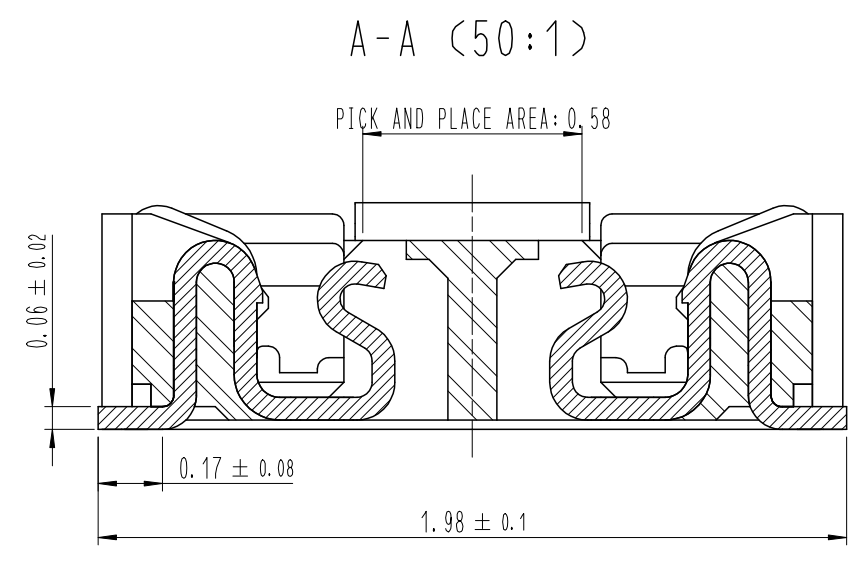
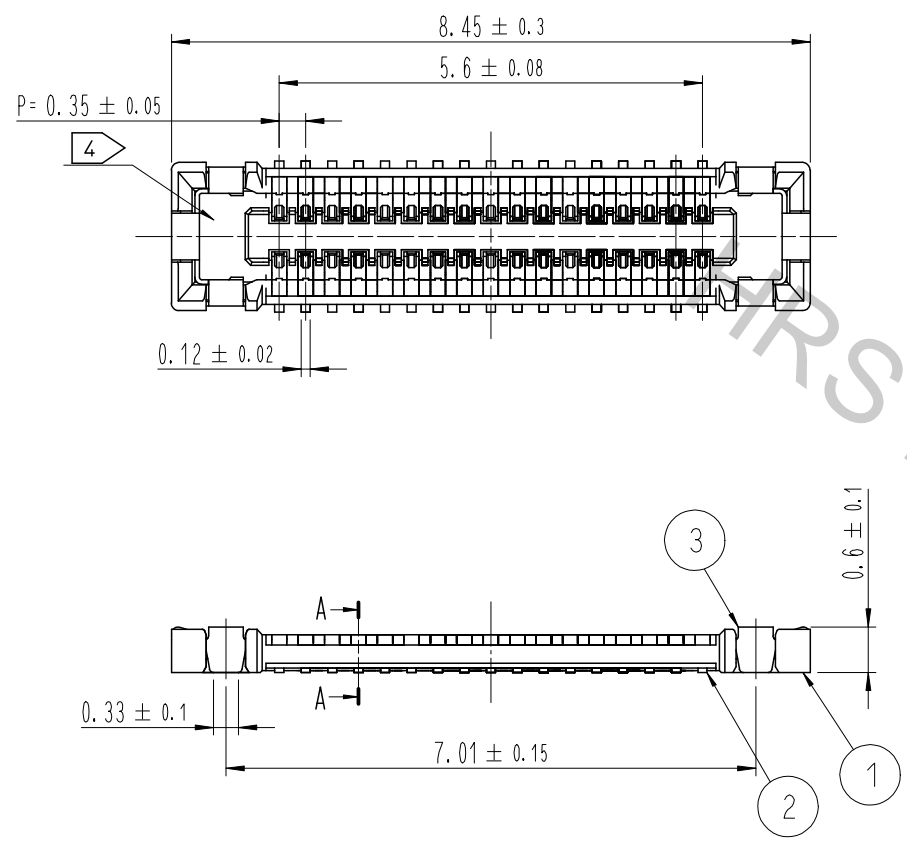
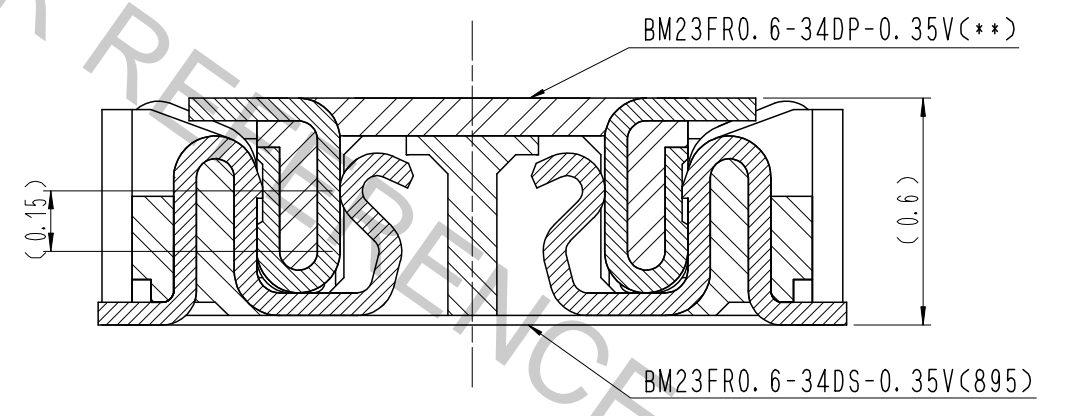


Aug.1.2018 Copyright 2018 HIROSE ELECTRIC CO., LTD. All Rights Reserved.
 In case that the application demands a high level of reliability, such as automotive,
 please contact a company representative for further information.



ENGAGEMENT FIGURE (50:1)



DRAWING FOR REFERENCE
 This is subject to change without notice

- NOTE
- 1 . ALL LEAD CO-PLANARITY SHALL BE 0.08mm MAX.
 - 2 CONTACT PLATING SPECIFICATIONS.
 CONTACT AREA : GOLD 0.05 μm MIN.
 SMT LEAD : GOLD 0.05 μm MIN.
 UNDERPLATING : NICKEL 1 μm MIN.
 (SURFACE : SEALING)
 - 3 MATAL FITTING PLATING SPECIFICATIONS.
 SMT LEAD : GOLD 0.05 μm MIN.
 UNDERPLATING : NICKEL 1 μm MIN.
 (SURFACE : SEALING)
 - 4 HRS MARK AND CAV NO. ARE INDICATED IN APPROX POSITION SHOWN.

| COUNT | DESCRIPTION OF REVISIONS | B | Y | CHKD | DATE | COUNT | DESCRIPTION OF REVISIONS | B | Y | CHKD | DATE |
|-------|--------------------------|---|---|------|------|-------|--------------------------|---|---|------|------|
| △ | | | | | | △ | | | | | |
| △ | | | | | | △ | | | | | |
| △ | | | | | | △ | | | | | |

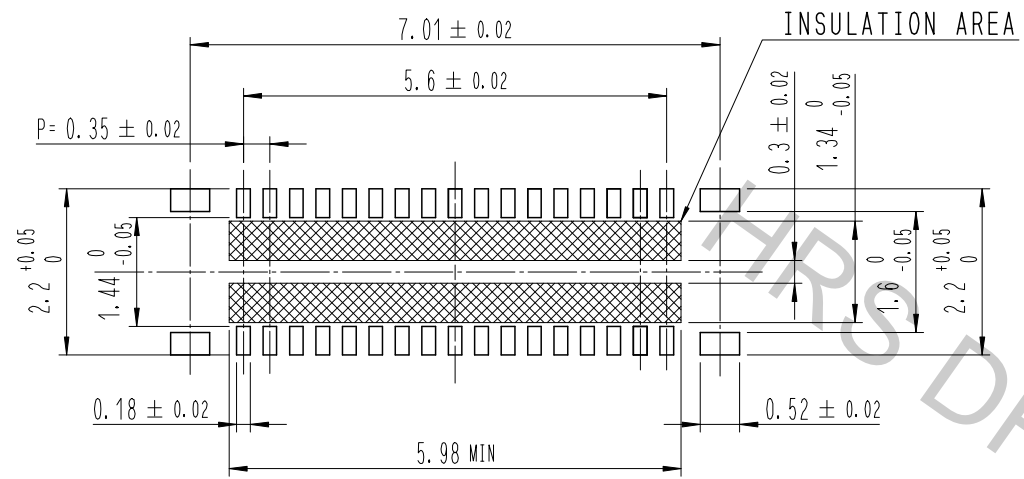
| NO. | MATERIAL | FINISH , REMARKS | NO. | MATERIAL | FINISH , REMARKS |
|-----|--------------|------------------------------|-----|-----------|------------------------------|
| 4 | PS | CLEAR (EMBOSSD CARRIER TAPE) | 7 | PS | CLEAR (REINFORCEMENT COLLAR) |
| 3 | COPPER ALLOY | 3 | 6 | PS | BLACK (PLASTIC REEL) |
| 2 | COPPER ALLOY | 2 | 5 | POLYESTER | CLEAR (COVER TAPE) |
| 1 | LCP | UL94 V-0, BLACK | | | |

| REMARKS | DRAWN | DESIGNED | CHECKED | APPROVED | RELEASED |
|---------|------------|------------|----------|------------|----------|
| | S. H. JUNG | S. H. JUNG | H. W. JO | T. S. KANG | 17.05.08 |
| | 17.05.08 | 17.05.08 | 17.05.08 | 17.05.08 | |

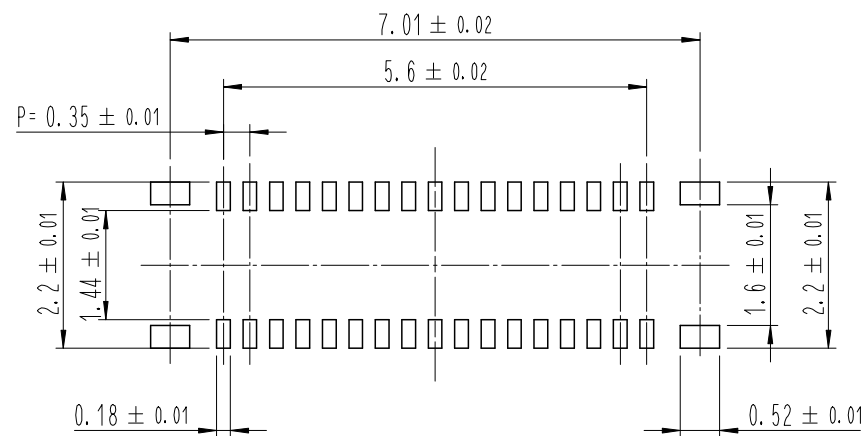
| | | |
|----------------|----------------------------|------------------------------------|
| CODE NO. (OLD) | DRAWING NO. EDC3-631844 | PART NO. BM23FR0.6-34DS-0.35V(895) |
| SCALE 10:1 | HRS HIROSE KOREA CO., LTD. | CODE NO CL 6644-0007-3-895 |
| UNITS mm | | 1/3 |

Aug.1.2018 Copyright 2018 HIROSE ELECTRIC CO., LTD. All Rights Reserved.
 In case that the application demands a high level of reliability, such as automotive,
 please contact a company representative for further information.

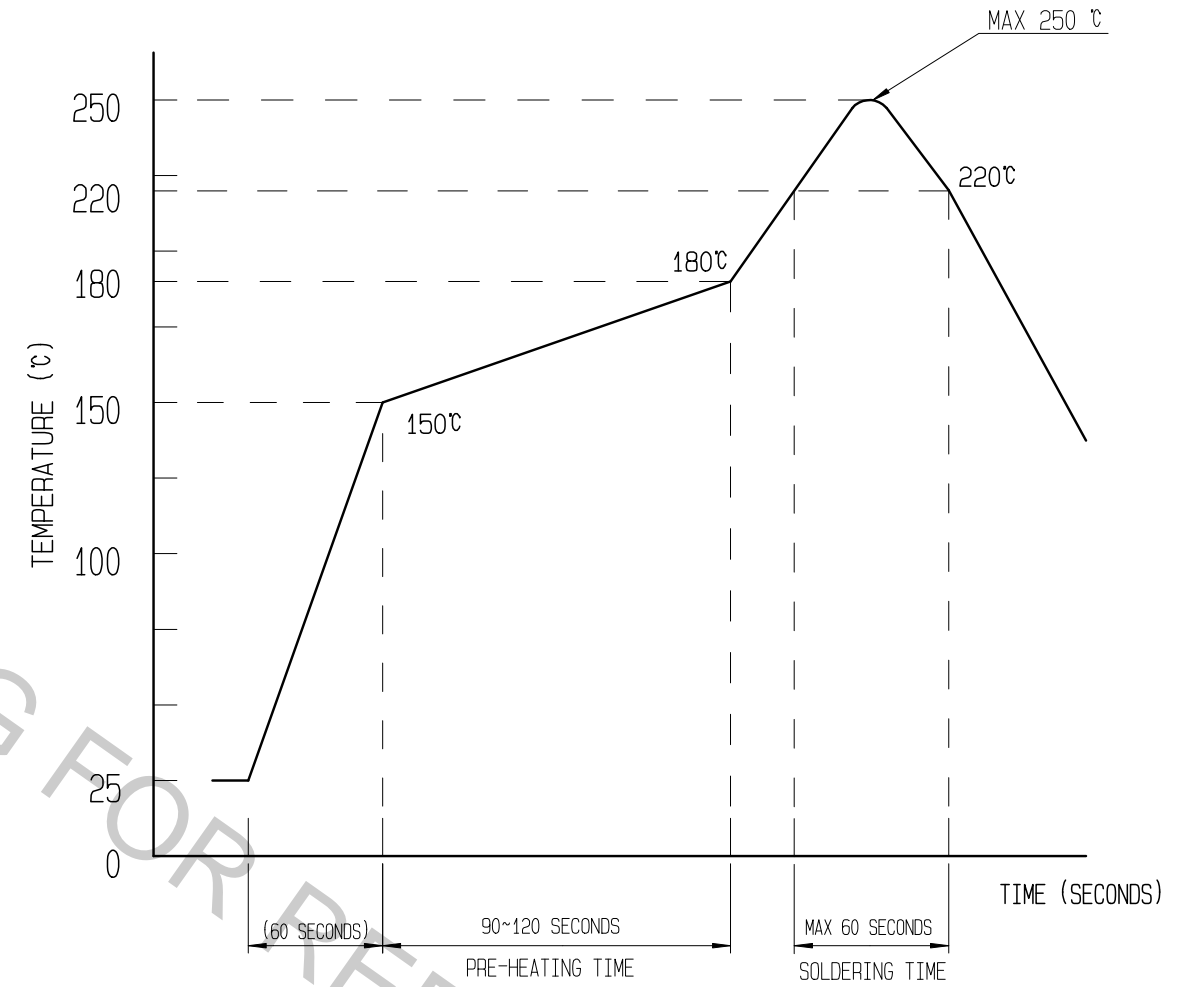
6 RECOMMENDED PCB LAYOUT



RECOMMENDED METAL MASK DIMENSIONS
 METAL MASK THICKNESS : 100 μm



5 RECOMMENDED REFLOW TEMPERATURE PROFILE USING LEAD-FREE SOLDER PASTE.



REFLOW METHOD: N2 REFLOW
 NUMBER OF REFLOW CYCLES: 2 CYCLES MAX.
 1) REFLOW TIME
 DURATION ABOVE 220°C: 60 SEC MAX.
 (PEAK TEMPERATURE: 250°C MAX)
 2) PRE-HEAT TIME
 PRE-HEAT TEMPERATURE (MIN): 150°C
 PRE-HEAT TEMPERATURE (MAX): 180°C
 PRE-HEAT TIME: 90-120 SEC.

- 5 THIS TEMPERATURE PROFILE IS PER THE CONDITIONS SHOWN ABOVE. ADDITIONAL FACTORS, SUCH AS SOLDER PASTE TYPE, PCB SIZE AND OTHER MOUNTED COMPONENTS COULD AFFECT THE PROFILE. THEREFORE, A THOROUGH EVALUATION OF MOUNTING CONDITION IS REQUIRED PRIOR TO PRODUCTION. TEMPERATURE IS MEASURED AT CONTACT LEAD.
- 6 PLEASE CONTACT US IN CASE YOU WILL MAKE DIFFERENT SETTINGS FROM OUR RECOMMENDATION.

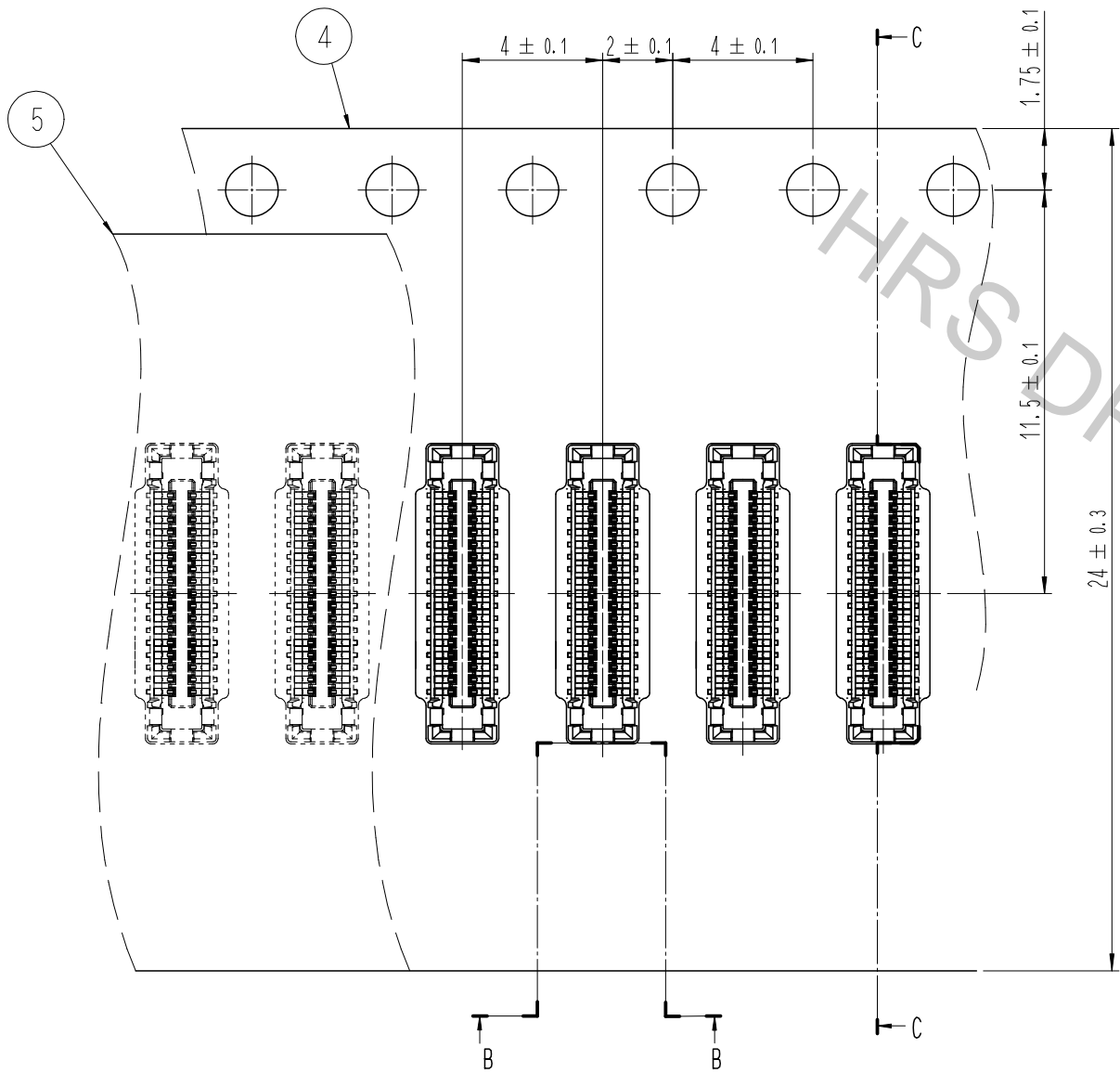
| | | | | | |
|-------|-------------|-------------|----------------------------|---------------------------|-----|
| | DRAWING NO. | EDC3-631844 | PART NO. | BM23FR0.6-34DS-0.35V(895) | |
| | SCALE | 10:1 | CODE NO | CL 6644-0007-3-895 | 2/3 |
| UNITS | mm | | HRS HIROSE KOREA CO., LTD. | | |

Aug.1.2018 Copyright 2018 HIROSE ELECTRIC CO., LTD. All Rights Reserved.
 In case that the application demands a high level of reliability, such as automotive,
 please contact a company representative for further information.

STYLE AND DIMENTION OF REEL (FREE)

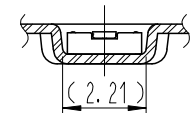
EMBOSSED CARRIER TAPE PACKAGING (5:1)

C-C (5:1)

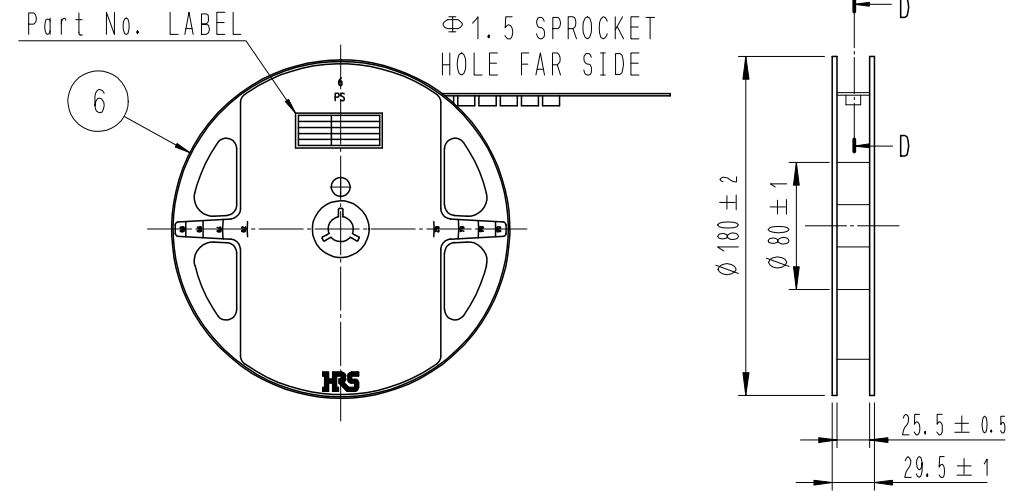
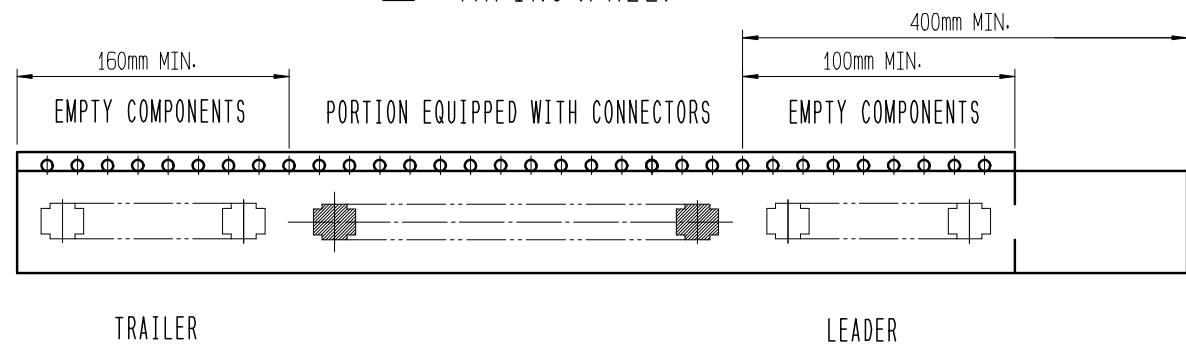


B-B (5:1)

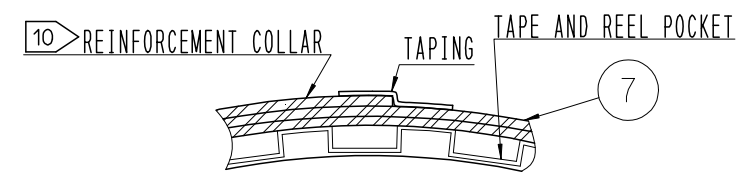
DIRECTION OF UNREELING



9 TAPING(FREE)

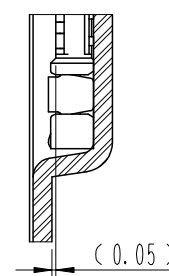


D-D (FREE)



D (10:1)

DETAIL OF PART No. LABEL



| | |
|----------------------|-----------------------------|
| SUPPLIER | |
| QUANTITY | |
| PART NO. | |
| CODE NO. | |
| DATE OF MANUFACTURED | |
| 生産月日 | 年 月 日 |
| 図番 | ** ** * |
| 品名 | BM23FR0. 6-34DS-0. 35V(895) |
| 納入数量 | 1,000個 |
| 納入者 | HIROSE KOREA |

7 . PER REEL 1,000 CONNECTORS.

8 . THE DIMENSIONS IN PARENTHESSES ARE FOR REFERENCE.

9 REFER TO JIS C 0806, IEC-60286-3 (PACKAGING OF COMPONENTS FOR AUTOMATIC HANDLING)

10 AFTER PACKAGING, ROLL 2 METERS OF THE REINFORCEMENT COLLAR TO OUTER CIRCUMFERENCE OF TAPE AND REEL POCKET. AND TAPE DOWN AT THE END THE COLLAR.

| | | | | |
|---------------|-------------|----------------------------|----------|-------------------------------|
| SCALE 10:1 | DRAWING NO. | EDC3-631844 | PART NO. | BM23FR0. 6-34DS-0. 35V(895) |
| | UNITS mm | HRS HIROSE KOREA CO., LTD. | | CODE NO CL 6644-0007-3-895 |

3/3