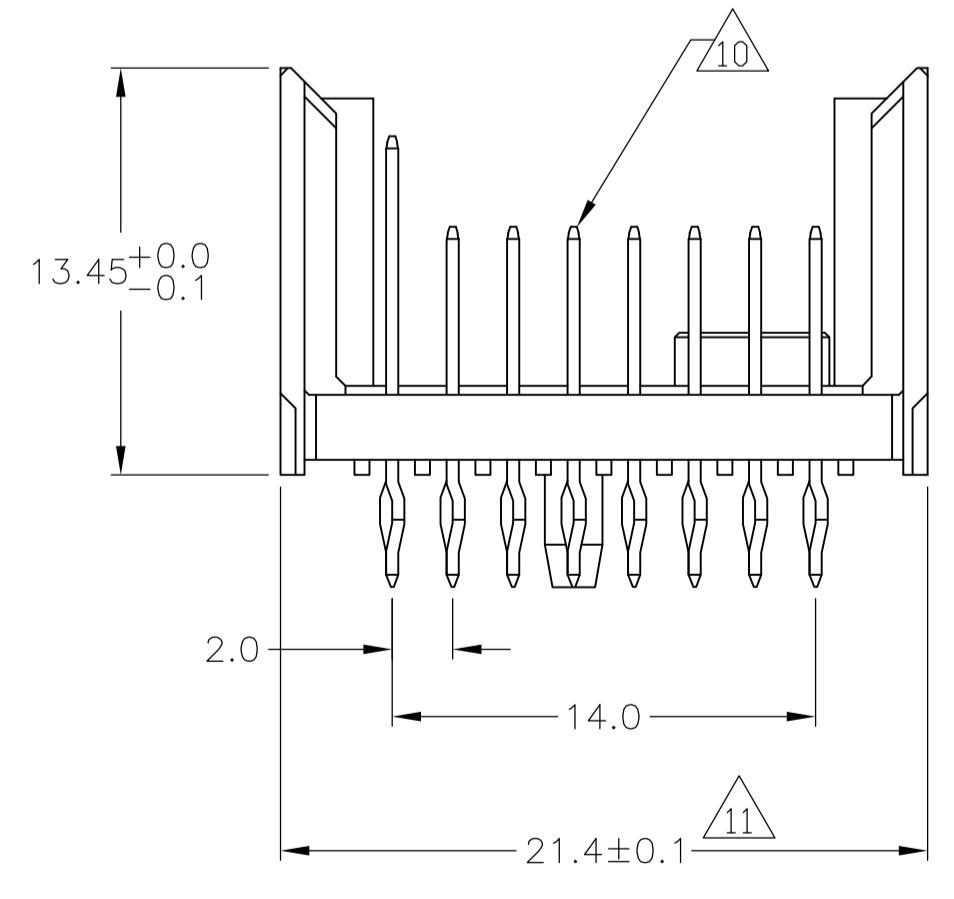
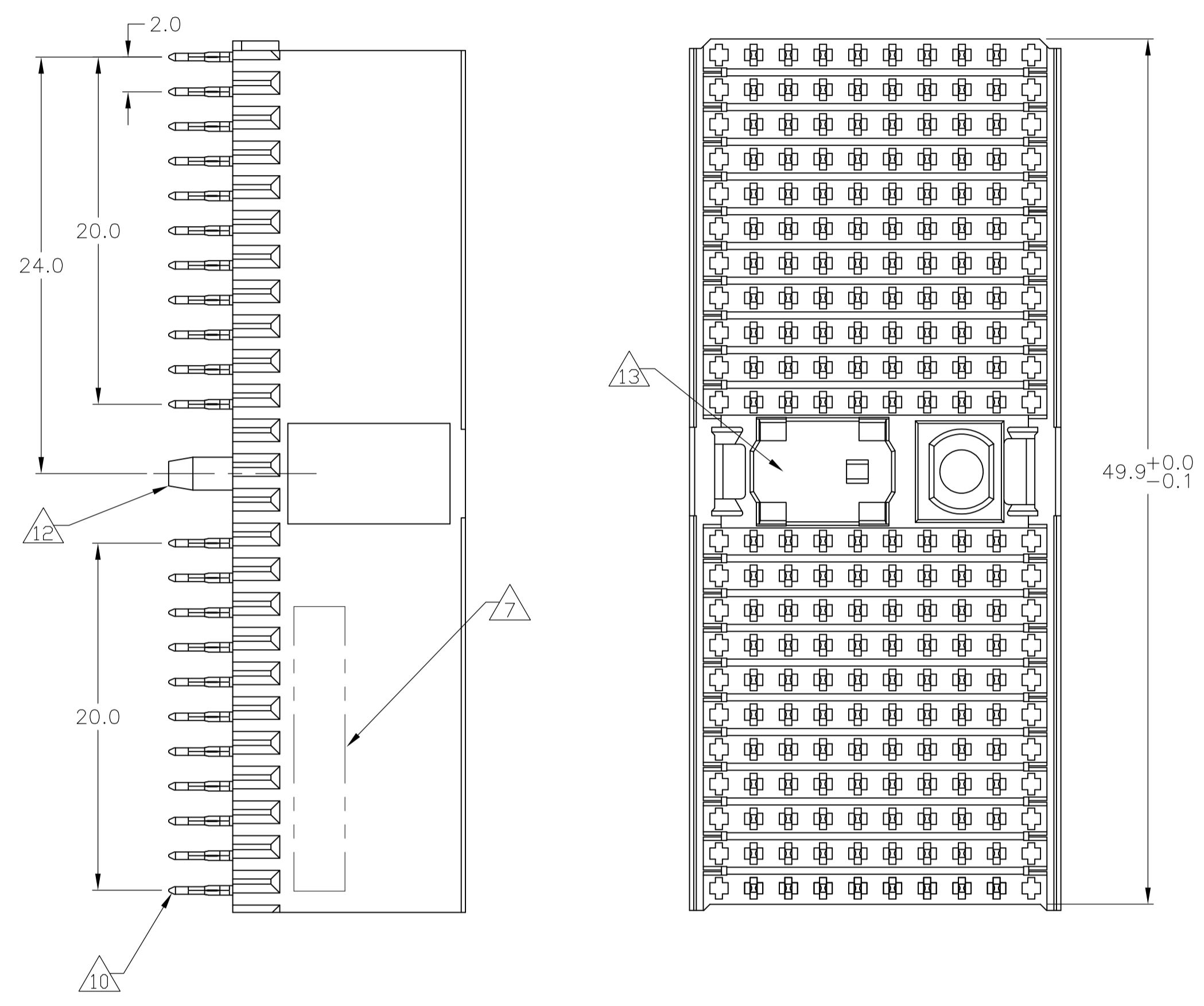
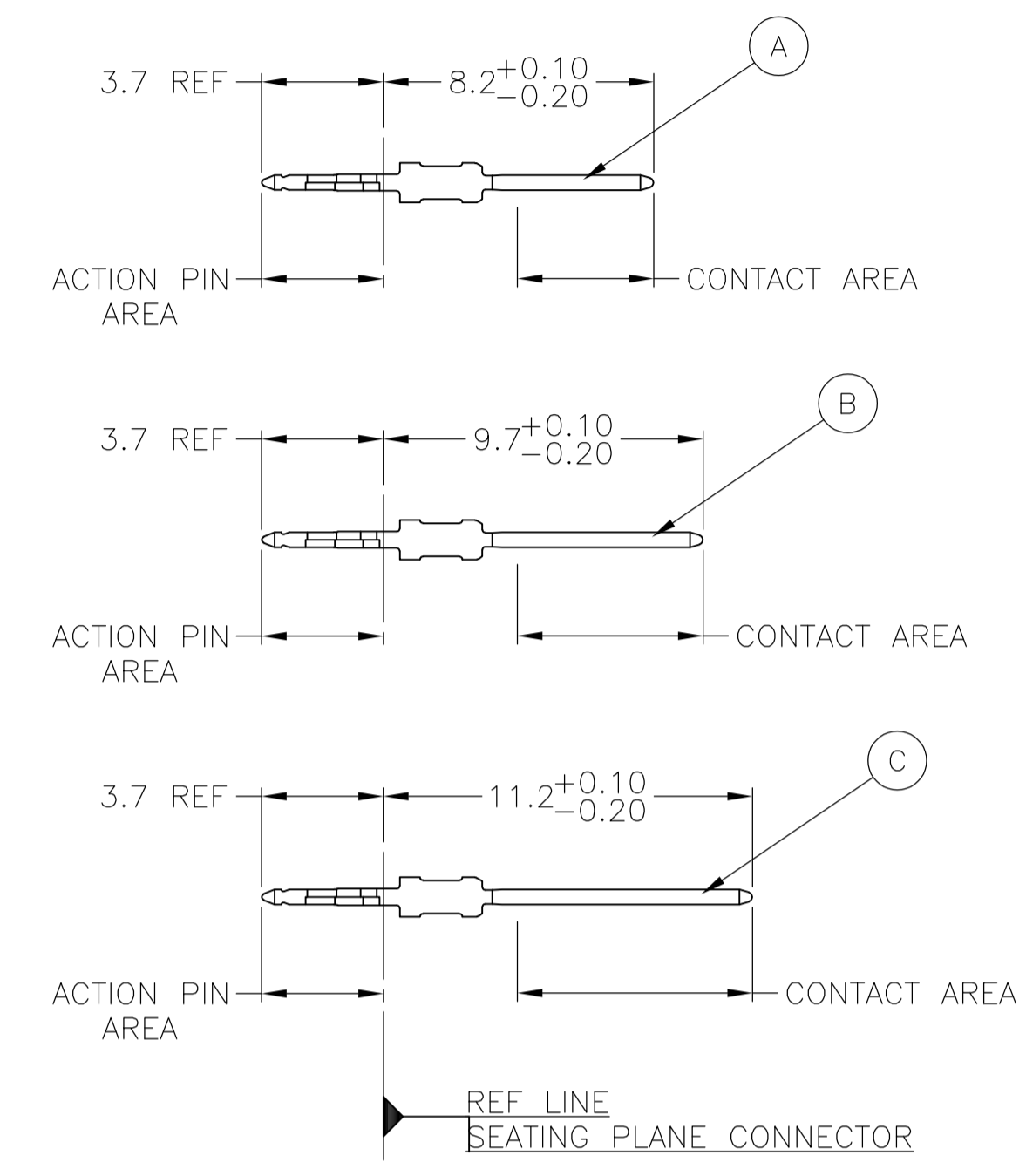


| LOC | | DIST | | REVISIONS | | | |
|-----|----|------|-----|------------------------------|---------|-----|------|
| AD | 00 | P | LTR | DESCRIPTION | DATE | DMN | APVD |
| | | A | | REVISED PER ECN 0512-0303-05 | 17APR06 | JDP | GES |
| | | B | | ECR-10-018652 | 10SEP10 | JS | MQW |

CONNECTOR ASSEMBLY EXAMPLARY LOADED



CONTACT DIMENSIONS SCALE 5:1

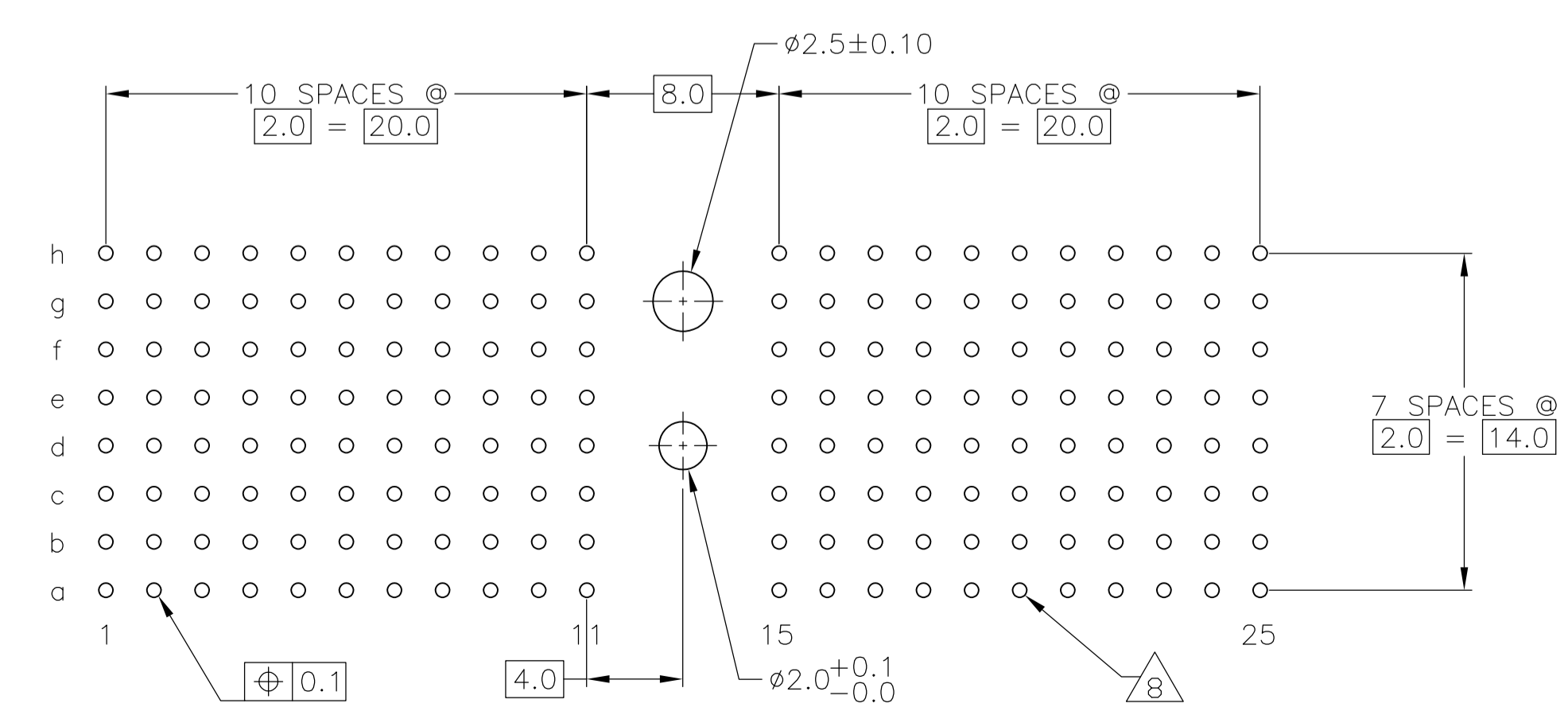


CONTACT LAYOUT

| | z | C | b | c | d | e | f | g | h | i |
|----------------------|---|---|---|---|---|---|---|---|---|---|
| 1 | | B | A | A | A | A | A | A | | |
| 2 | | B | A | A | A | A | A | A | | |
| 3 | | A | A | A | A | A | A | A | | |
| 4 | | A | A | A | A | A | A | A | | |
| 5 | | C | A | A | A | A | A | A | | |
| 6 | | C | A | A | A | A | A | A | | |
| 7 | | C | A | A | A | A | A | A | | |
| 8 | | C | A | A | A | A | A | A | | |
| 9 | | C | A | A | A | A | A | A | | |
| 10 | | C | A | A | A | A | A | A | | |
| 11 | | C | A | A | A | A | A | A | | |
| MULTI PURPOSE CENTER | | | | | | | | | | |
| 15 | | C | A | A | A | A | A | A | | |
| 16 | | C | A | A | A | A | A | A | | |
| 17 | | C | A | A | A | A | A | A | | |
| 18 | | C | A | A | A | A | A | A | | |
| 19 | | C | A | A | A | A | A | A | | |
| 20 | | C | A | A | A | A | A | A | | |
| 21 | | C | A | A | A | A | A | A | | |
| 22 | | C | A | A | A | A | A | A | | |
| 23 | | C | A | A | A | A | A | A | | |
| 24 | | C | A | A | A | A | A | A | | |
| 25 | | C | A | A | A | A | A | A | | |

RECOMMENDED PCB-HOLE LAYOUT COMPONENT SIDE SHOWN

PLATED THRU HOLES PARAMETERS REFERENCE APPLICATION SPECIFICATION



| | | | |
|--------|---|----|-------------|
| 2 | 6 | 14 | 1-5646711-9 |
| 2 | 5 | 14 | 5646711-9 |
| 2 | 4 | | 5646711-4 |
| 2 | 3 | | 5646711-1 |
| FINISH | | | PART NUMBER |

THIS DRAWING IS A CONTROLLED DOCUMENT.

| | | | |
|----------------|--|--------------------------|--|
| DIMENSIONS: mm | TOLERANCES UNLESS OTHERWISE SPECIFIED: | DIN S. WAITMAN 15JUL05 | Tyco Electronics Corporation Harrisburg, Pa 17105-3608 |
| 0-PLC ± | 1-PLC ±0.1 | CHK: G. SKIPPER 15JUL05 | MALE ASSEMBLY, Z-PACK 2mm HM, TYPE D |
| 2-PLC ± | 3-PLC ± | APVD: G. SKIPPER 15JUL05 | 108-1622 |
| ANGLES ± | | PRODUCT SPEC | 114-19029 |
| MATERIAL | FINISH SEE TABLE | SIZE: A1 | 00779C=5646711 |
| | | WEIGHT | RESTRICTED TO |
| | | CUSTOMER DRAWING | SCALE 4:1 SHEET 1 OF 2 REV B |

THIS DRAWING IS UNPUBLISHED. RELEASED FOR PUBLICATION
COPYRIGHT BY TYCO ELECTRONICS CORPORATION. ALL RIGHTS RESERVED.

| LOC | | DIST | | REVISIONS | | | |
|-----|-----|-------------|------|-----------|------|---|---|
| P | LTR | DESCRIPTION | DATE | DN | APVD | | |
| AD | 00 | SEE SHEET 1 | - | - | - | - | - |

- 1 MATERIAL:
CONTACT: PHOSPHOR BRONZE.
HOUSING: GLASS-FILLED POLYESTER.
- 2 GENERAL PLATING SPECIFICATION: UNDERPLATING
(ENTIRE CONTACT): 1.27µm MIN NICKEL AND ACTION
PIN: 0.5µm MIN TIN.
FOR PLATING OF MATING SURFACES SEE APPLICABLE
SPECIFICATION REFERENCE FOR EACH DASH NUMBER.
- 3 CONFORMS TO ALL TESTING ACCORDING TO IEC 61076-4-101
PERFORMANCE LEVEL 2.
- 4 CONFORMS TO ALL TESTING ACCORDING TO IEC 61076-4-101
PERFORMANCE LEVEL 1.
- 5 CONNECTOR TESTED AND QUALIFIED AGAINST TELCORDIA GR-1217-CORE QUALITY LEVEL 3,
CENTRAL OFFICE APPLICATIONS.
- 6 CONNECTOR TESTED AND QUALIFIED AGAINST TELCORDIA GR-1217-CORE QUALITY LEVEL 3,
UNCONTROLLED ENVIROMENT APPLICATIONS.
- 7 CONNECTOR MARKED WITH PART NUMBER AND DATE CODE.
ADDITIONAL CHARACTERS OR MARKINGS, AS WELL AS THE LOCATION OF THE MARKINGS,
MAY BE ADDED FOR TRACEABILITY BASED UPON MANUFACTURERS DISCRETION.
- 8 PLATED-THROUGH HOLES AT 2x2mm SQUARE GRID
PATTERN DEFINED BY CONTACT LAYOUT.
- 9 FOR ACTUAL PIN LOADING SEE "CONTACT LAYOUT".
- 10 FOR ACTUAL PIN DIMENSIONS SEE "CONTACT DIMENSIONS".
- 11 TO BE MEASURED AT BOTTOM OF SHROUD.
- 12 POLARIZATION FEATURE.
- 13 AREA RESERVED FOR KEYING PART (BASIC P/N 100525).
- 14 CONNECTOR LUBRICATED WITH BELCORE APPROVED LUBRICANT,
TECHNICAL REFERENCE: TR-NWT-001217 ISSUE 1, SEP 1992.

| | | | | |
|--|--|-------------------------------|---|---------------------|
| THIS DRAWING IS A CONTROLLED DOCUMENT. | | DN S. WAITMAN 15JUL05 | Tyco Electronics Corporation Harrisburg, Pa 17105-3608 | |
| DIMENSIONS: mm | | CHK G. SKIPPER 15JUL05 | Tyco Electronics | |
| TOLERANCES UNLESS OTHERWISE SPECIFIED: 0-PLG ± 1-PLG ±0.1 2-PLG ± 3-PLG ± 4-PLG ± ANGLES ±1° | | APVD G. SKIPPER 15JUL05 | NAME MALE ASSEMBLY, Z-PACK 2mm HM, TYPE D | |
| MATERIAL SEE SHEET 1 | | FINISH SEE SHEET 1 | PRODUCT SPEC 108-1622 | RESTRICTED TO |
| WEIGHT - | | APPLICATION SPEC 114-19029 | SIZE A1 | CAGE CODE 000779 |
| CUSTOMER DRAWING | | DRAWING NO C=5646711 | SCALE 4:1 | SHEET 2 OF 2 |