



SSF50 Series

Compact Float Switch with Integral Slosh Guard & Optional Check Facility



- **Bracket mounted**
- **Stainless steel 316 & 304**
- **Compact design**
- **Temperature up to 80°C**
- **With or without check facility**
- **User configurable N/O (make on rise) or N/C (make on fall)**

Technical Specification

Mounting style	Mounting bracket included	Cable length - standard	100cm
Cable size	17/0.16 - AWG22	Cable Entry Rating	IP67
Float & Stem material	316 and 304 grade SS	SLOSH shield material Acrylic 60mm dia x 4mm	
Cable sheath material	FEP	Total Weight (-C version)	335g
Maximum pressure	20 bar	Maximum Temperature	80°C
Float SG	0.7	Minimum fluid SG	0.8

The SSF50 series is a compact vertical float switch with an integral acrylic slosh guard to reduce inadvertent operation in turbulent fluids. The unit can be mounted to a vertical surface or via a U-bolt (not supplied) using the integrated mounting bracket.

The metal components are manufactured from a combination of 316 and 304 grade stainless steels.

The switch action may be reversed by removing the float, inverting and then refitting it to the central stem.

The unit can be supplied complete with an integral test facility whereby the float can be manually raised to check the operation of the switch.

Electrical Specification

Contact Form		N/O (N/C)
Switching Power Max	W (VA)	50 (70)
Switching Voltage AC Max	V	240
Switching Voltage DC Max	V	200
Switching Current Max	A	0.5

All ratings are for resistive load only.

Standard Parts

Description

SSF50X100X	Without check facility
SSF50X100X-C	With check facility

Custom versions can be made for particular applications. Please contact Cynergy3 with your requirements.

Cynergy3 Components Ltd.
7 Cobham Road
Ferndown Industrial Estate
Wimborne, Dorset BH21 7PE
Telephone +44 (0) 1202 897969
Email:sales@cynergy3.com

ISO9001 CERTIFIED

SSF50 2016

www.cynergy3.com

© 2016 Cynergy3 Components, All Rights Reserved. Specifications are subject to change without prior notice. Cynergy3 Components and the Cynergy3 Components logo are trademarks of Cynergy3 Components Limited.

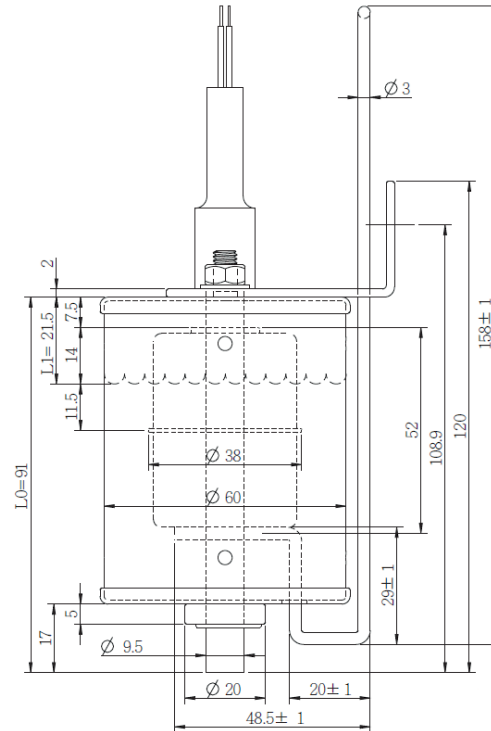
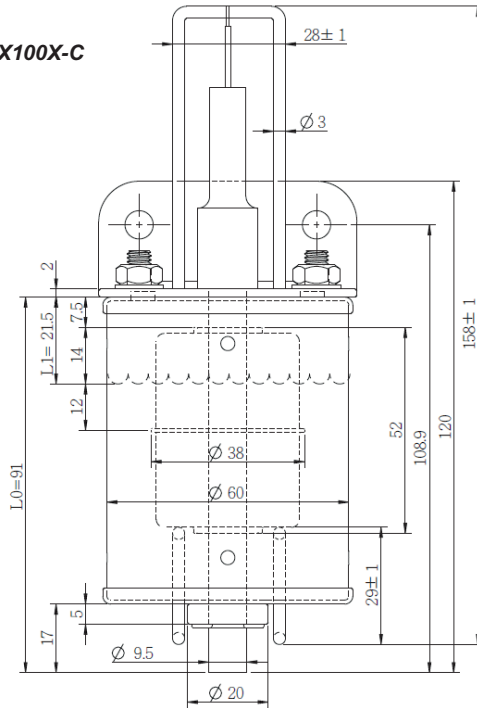


SSF50 Series

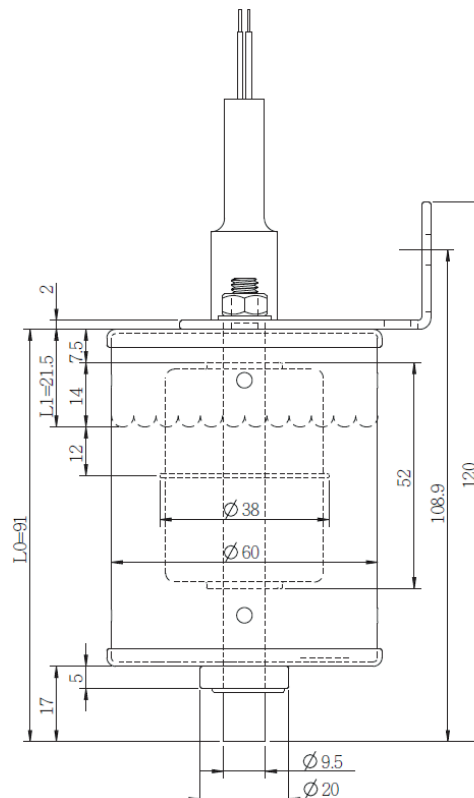
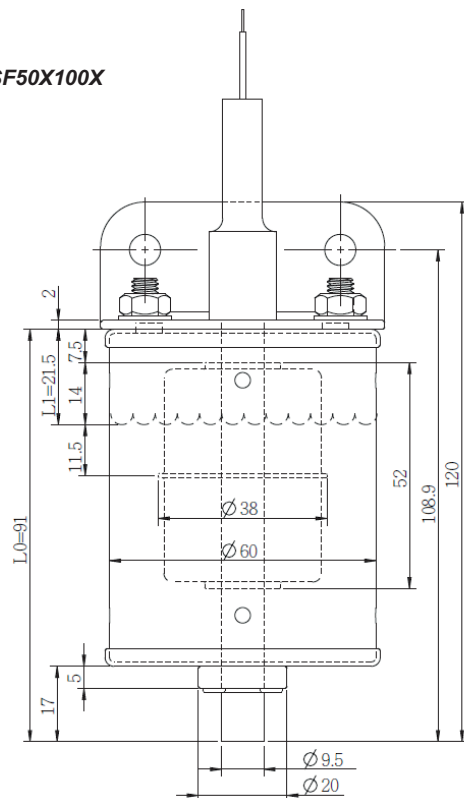
Compact Float Switch with Integral Slosh Guard & Optional Check Facility

Mechanical Dimensions

SSF50X100X-C



SSF50X100X



Cynergy3 Components Ltd.
7 Cobham Road
Ferndown Industrial Estate
Wimborne, Dorset BH21 7PE
Telephone +44 (0) 1202 897969
Email: sales@cynergy3.com

ISO9001 CERTIFIED

www.cynergy3.com