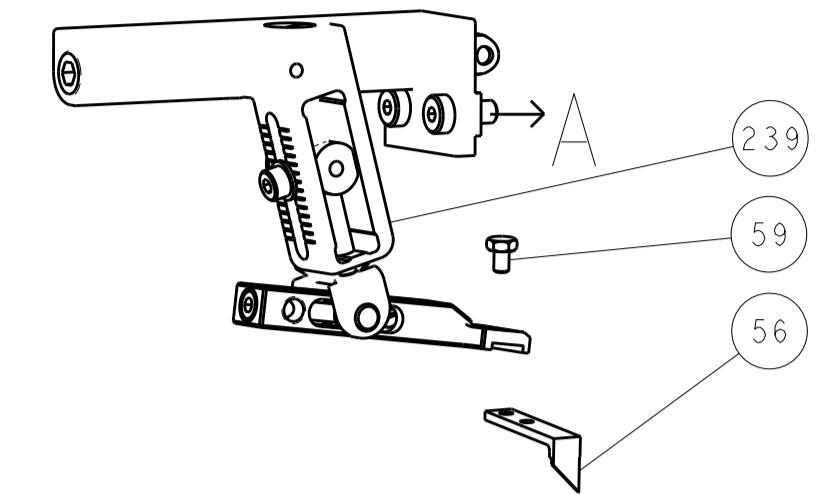
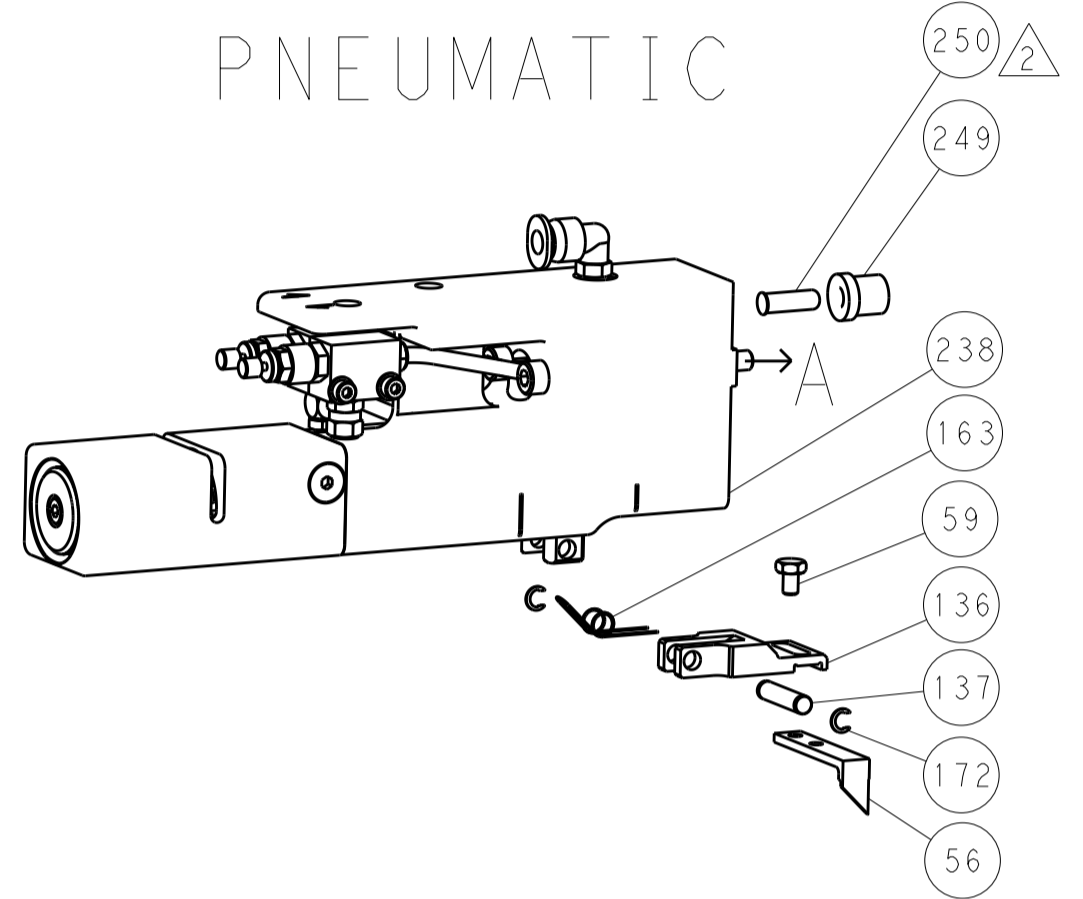


LOC		DIST		REVISIONS			
A	66	P	LTM	DESCRIPTION	DATE	DWN	APVD
-	-	-	-	SEE SHEET 1	-	-	-

FEED TYPE MECHANICAL



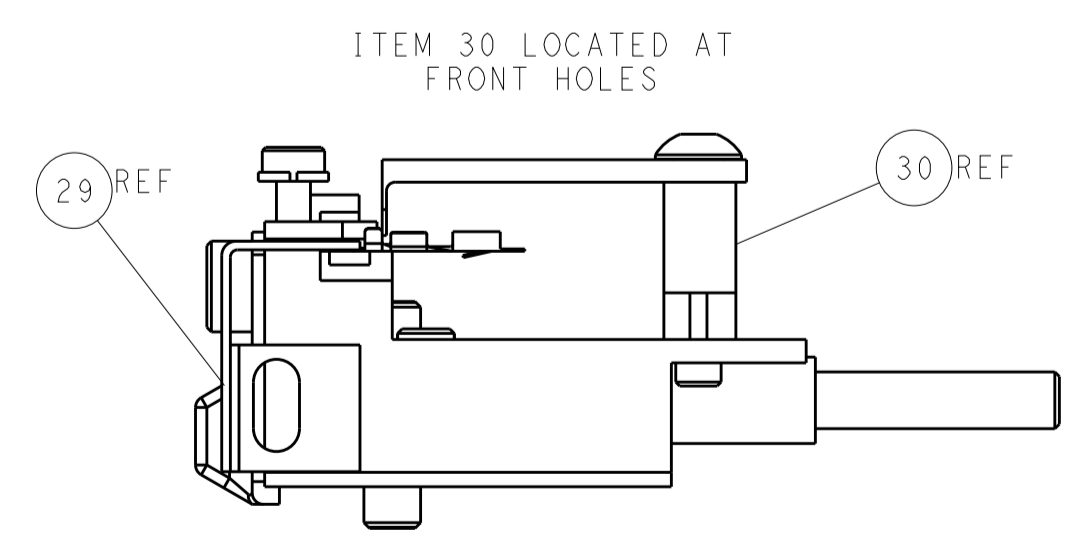
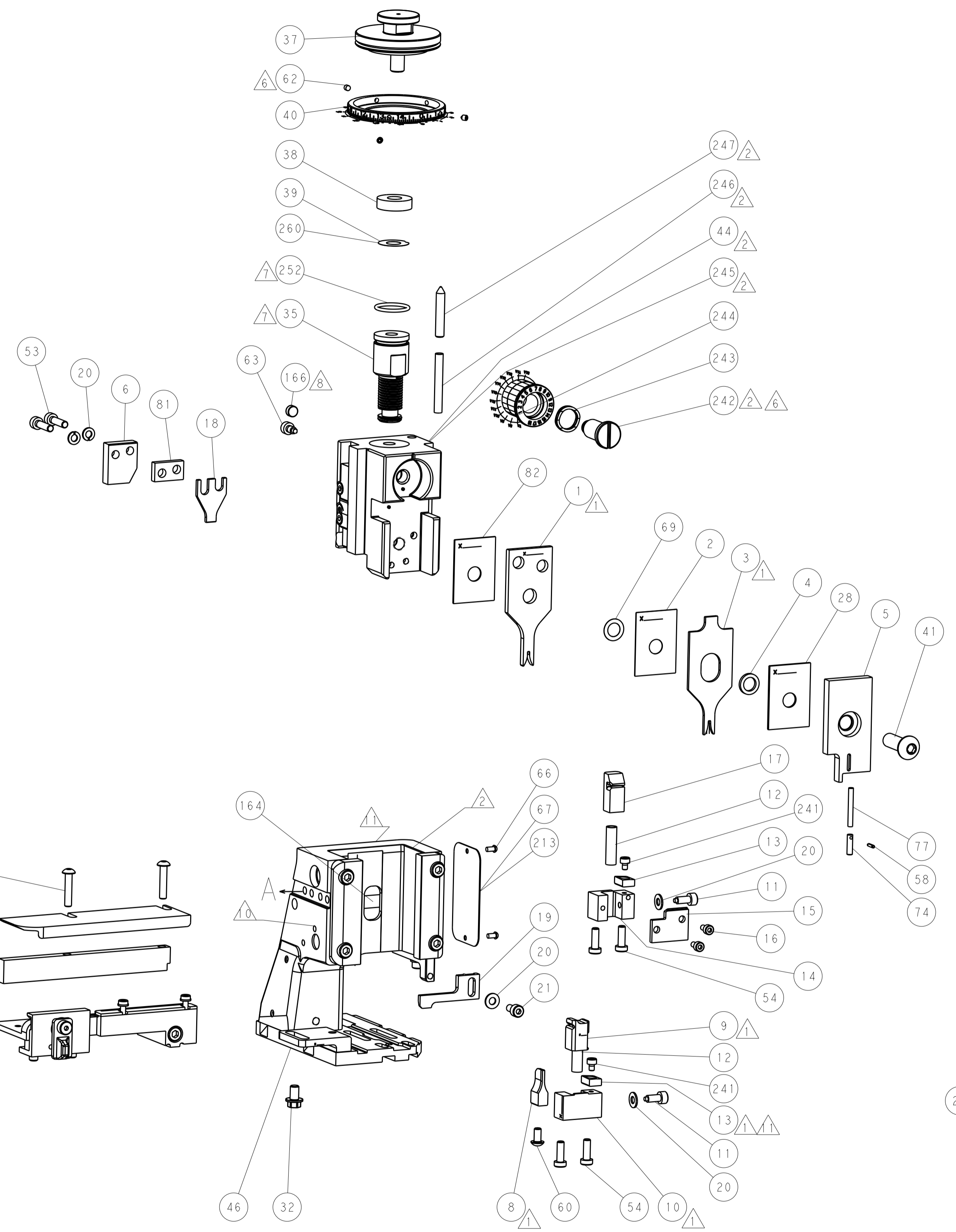
PNEUMATIC



SERVO LATCH PLATE



CAM POSITIONS



ATLANTIC VERSION
 Shown on sheets 1 of 4 & 2 of 4
 (Pacific version shown on sheets 3 of 4 & 4 of 4)

DIMENSIONS:		TOLERANCES UNLESS OTHERWISE SPECIFIED:		DWN: R. O. WILSON 06SEP2012		TE Connectivity	
mm	0 PLC ±0.5	1 PLC ±0.5	2 PLC ±0.13	3 PLC ±0.013	4 PLC ±0.0013	APVD: K. J. STAKEM 12SEP2012	Harrisburg, PA 17105-3608
MATERIAL:		FINISH:		NAME: Ocean Side Feed Applicator		RESTRICTED TO:	
-		-		SIZE: A1 00779 C=2151766		SCALE: 1:2 SHEET 2 OF 4 REV A1	
Customer Accessible Production Drawing				SHEETS 3 & 4 ARE NOT REQUIRED FOR ATLANTIC VERSION			

LOC		DIST		REVISIONS			
A	66	P	LTM	DESCRIPTION	DATE	OWN	APVD
		-	-	SEE SHEET 1	-	-	-

FEED TYPE MECHANICAL



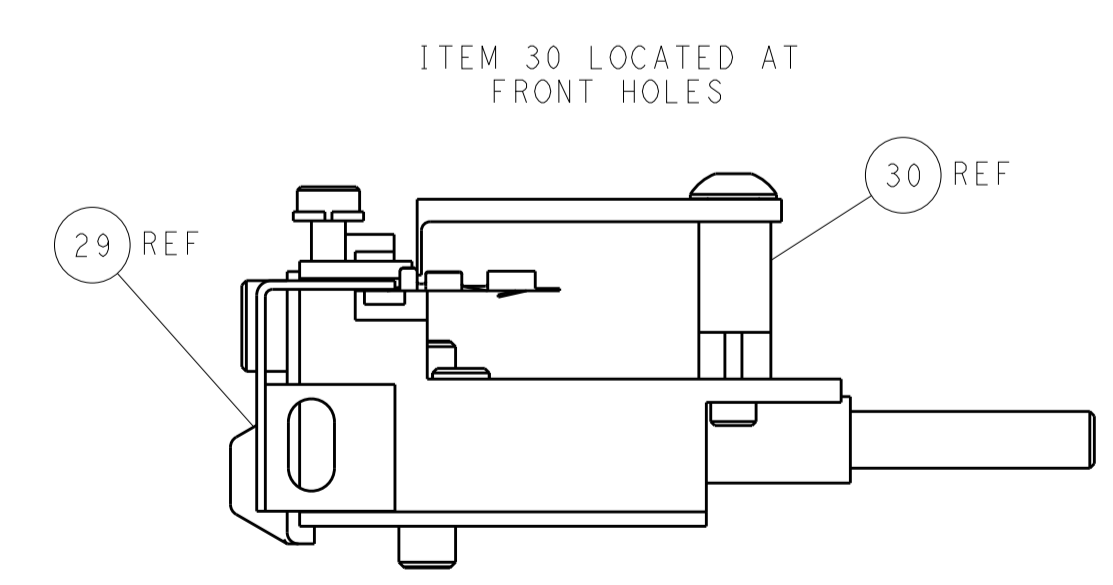
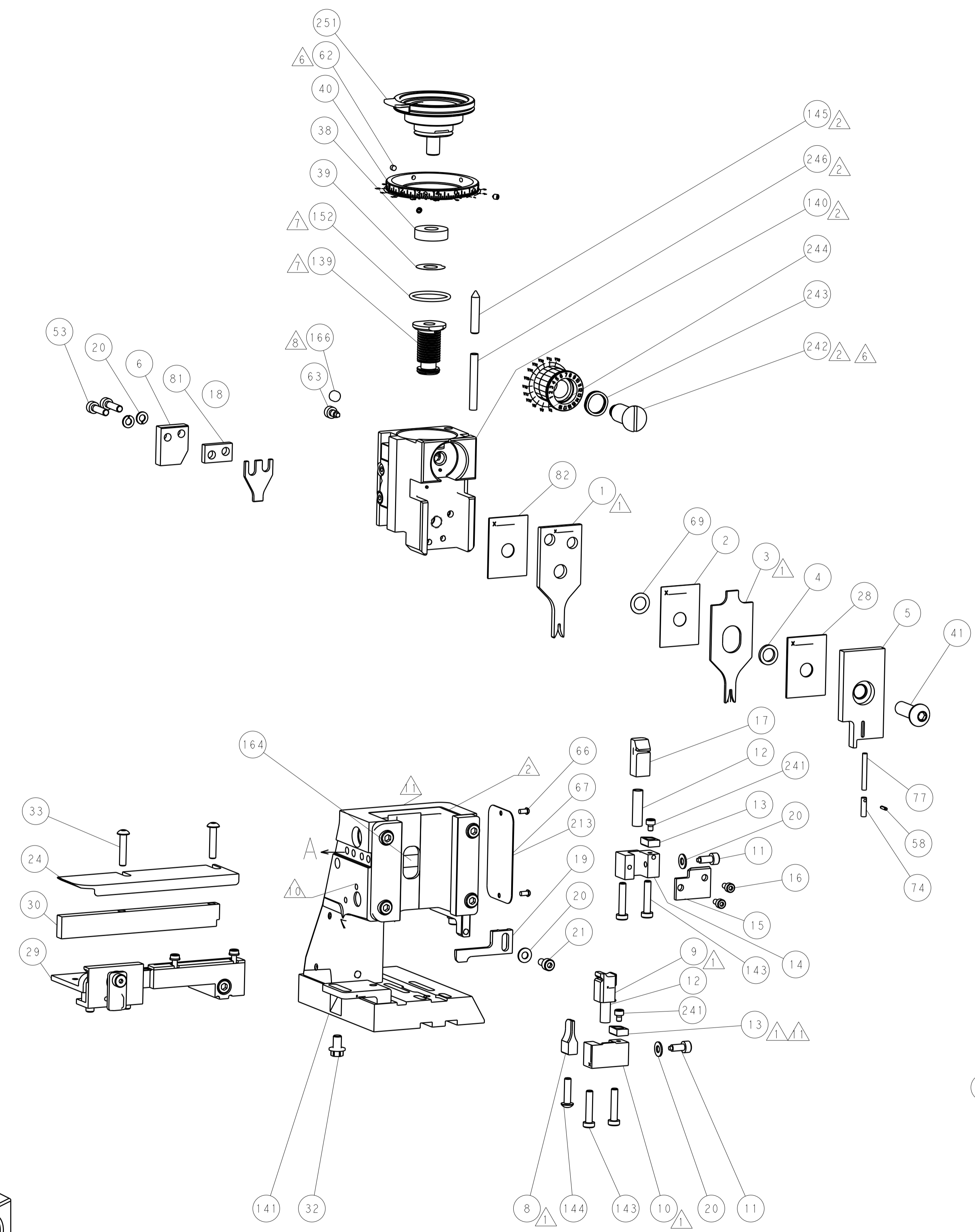
PNEUMATIC



SERVO LATCH PLATE



CAM POSITIONS



PACIFIC VERSION
 Shown on sheets 3 of 4 & 4 of 4
 (Atlantic version shown on sheets 1 of 4 & 2 of 4)

DIMENSIONS:		TOLERANCES UNLESS OTHERWISE SPECIFIED:		DWG: R.O. WILSON 06SEP2012		STE Connectivity	
mm		0 PLC ±.5		CHK: K.J. STAKEM 12SEP2012		Harrisburg, PA 17105-3608	
HOLE		1 PLC ±0.5		APVD: T.L. ELBIN 13SEP2012		NAME: Ocean Side Feed Applicator	
MATERIAL:		2 PLC ±0.13		PRODUCT SPEC:		SIZE: CAGE CODE: DRAWING NO:	
FINISH:		3 PLC ±0.013		APPLICATION SPEC:		RESTRICTED TO:	
		4 PLC ±0.001		WEIGHT:		A1 00779 ©=2151766	
		ANGLES ±.0001		Customer Accessible Production Drawing		SCALE: 1:2 SHEET 4 OF 4 REV A1	