

4

3

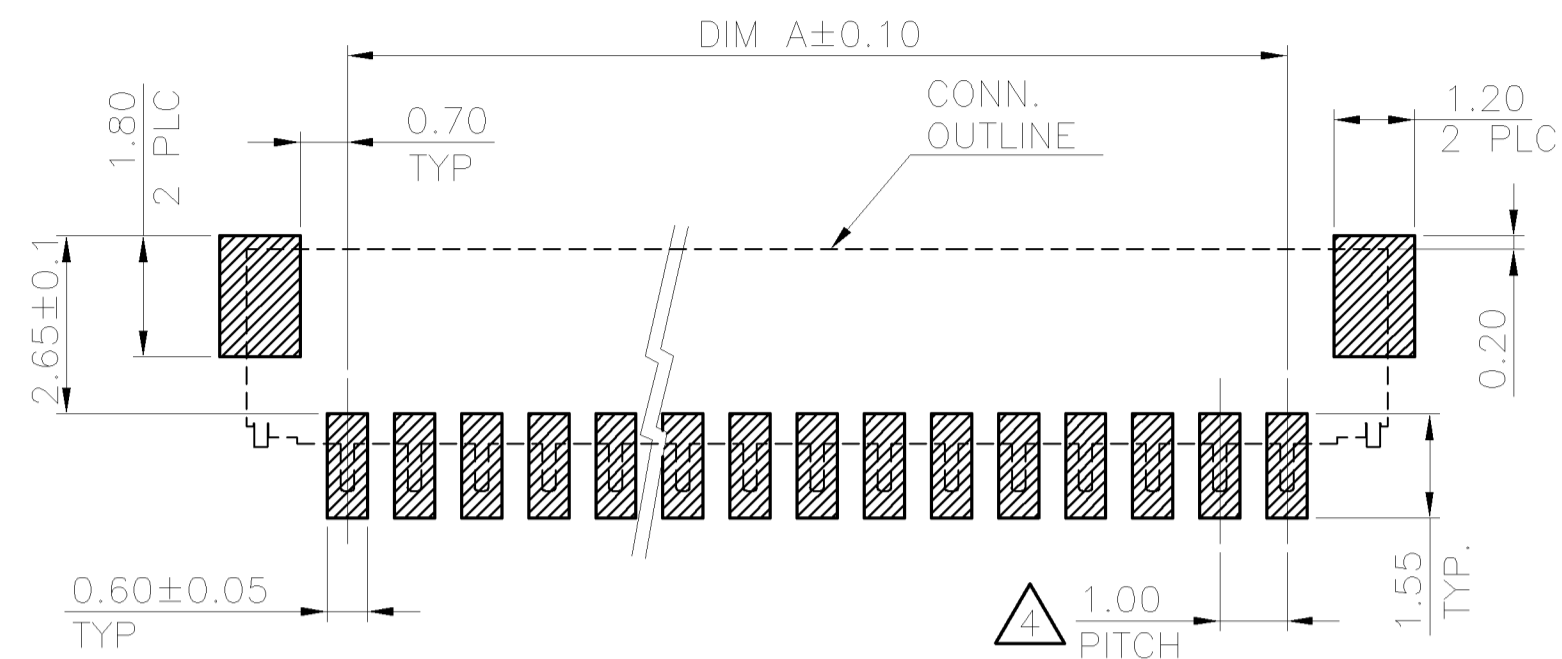
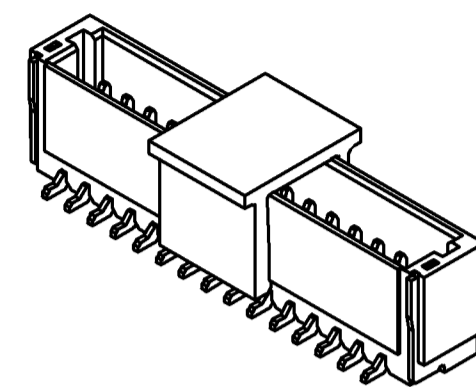
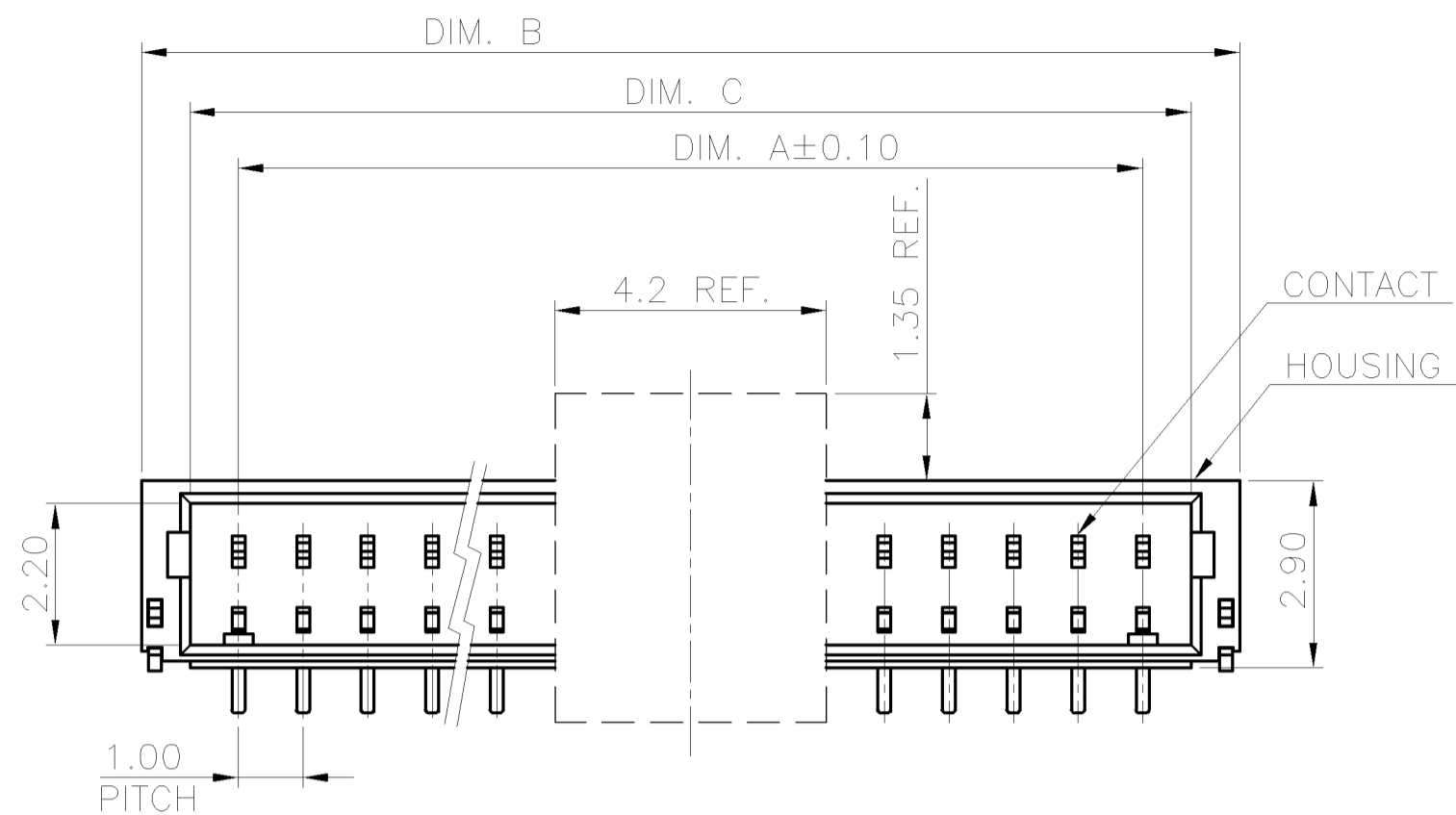
2

1

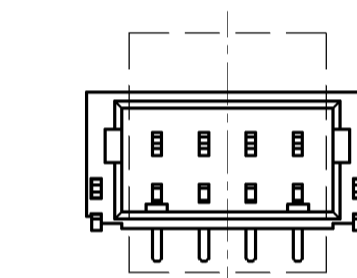
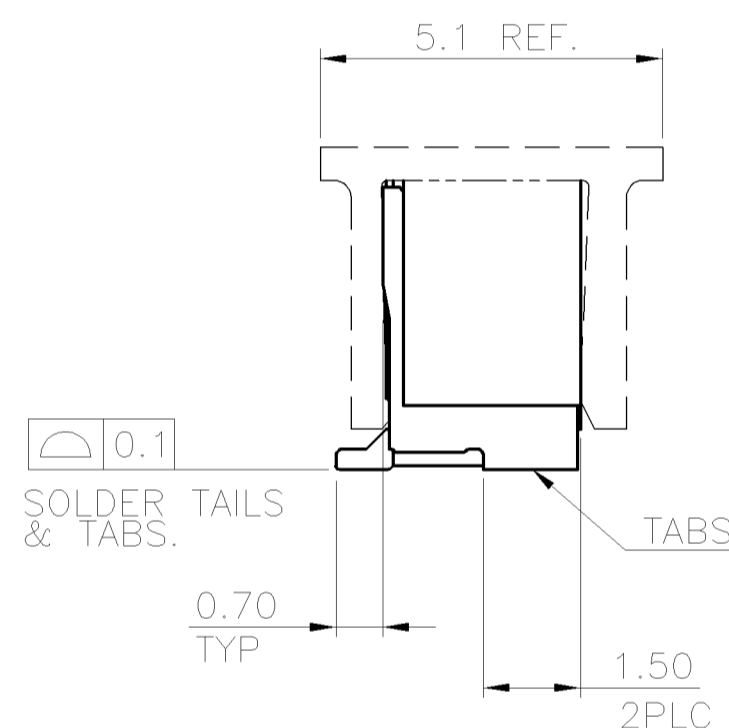
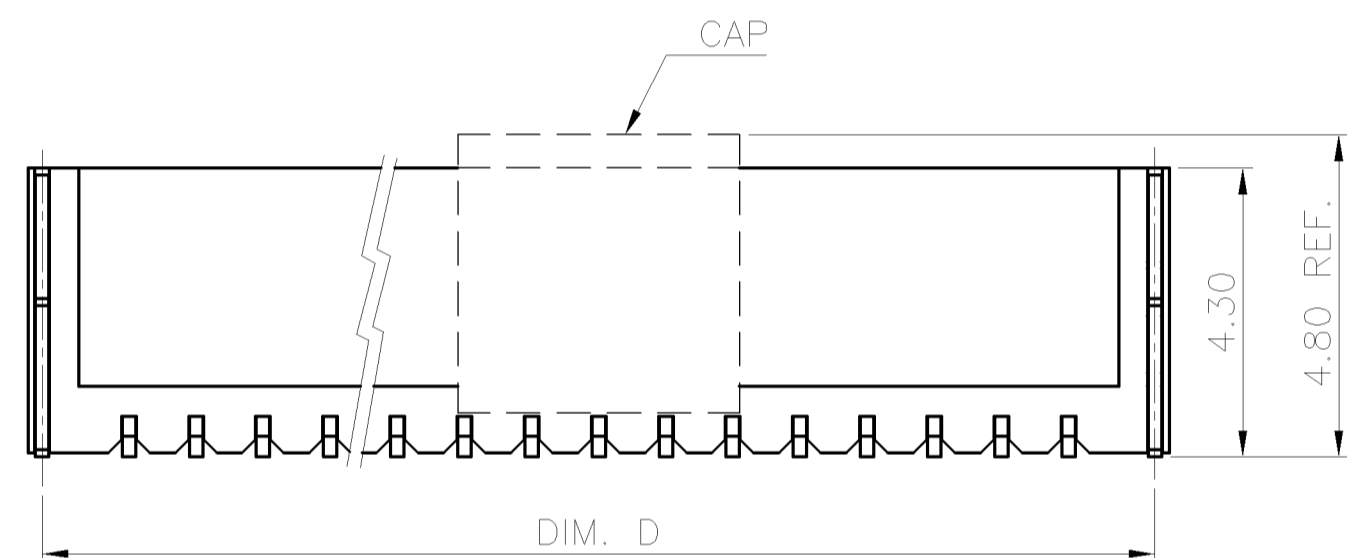
THIS DRAWING IS UNPUBLISHED. RELEASED FOR PUBLICATION AUG ,2006.

© COPYRIGHT 2009 BY TYCO ELECTRONICS CORPORATION. ALL RIGHTS RESERVED.

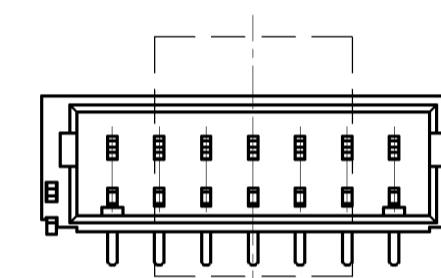
LOC		DIST		REVISIONS			
DW		P	LTR	DESCRIPTION	DATE	DWN	APVD
			A2	REVISED (ECR-11-004106)	23FEB11	JC	WK



RECOMMENDED PCB LAYOUT TOLERANCE: ±0.05



EVEN NO. OF PINS SPEC.



ODD NO. OF SPEC.

NOTE:

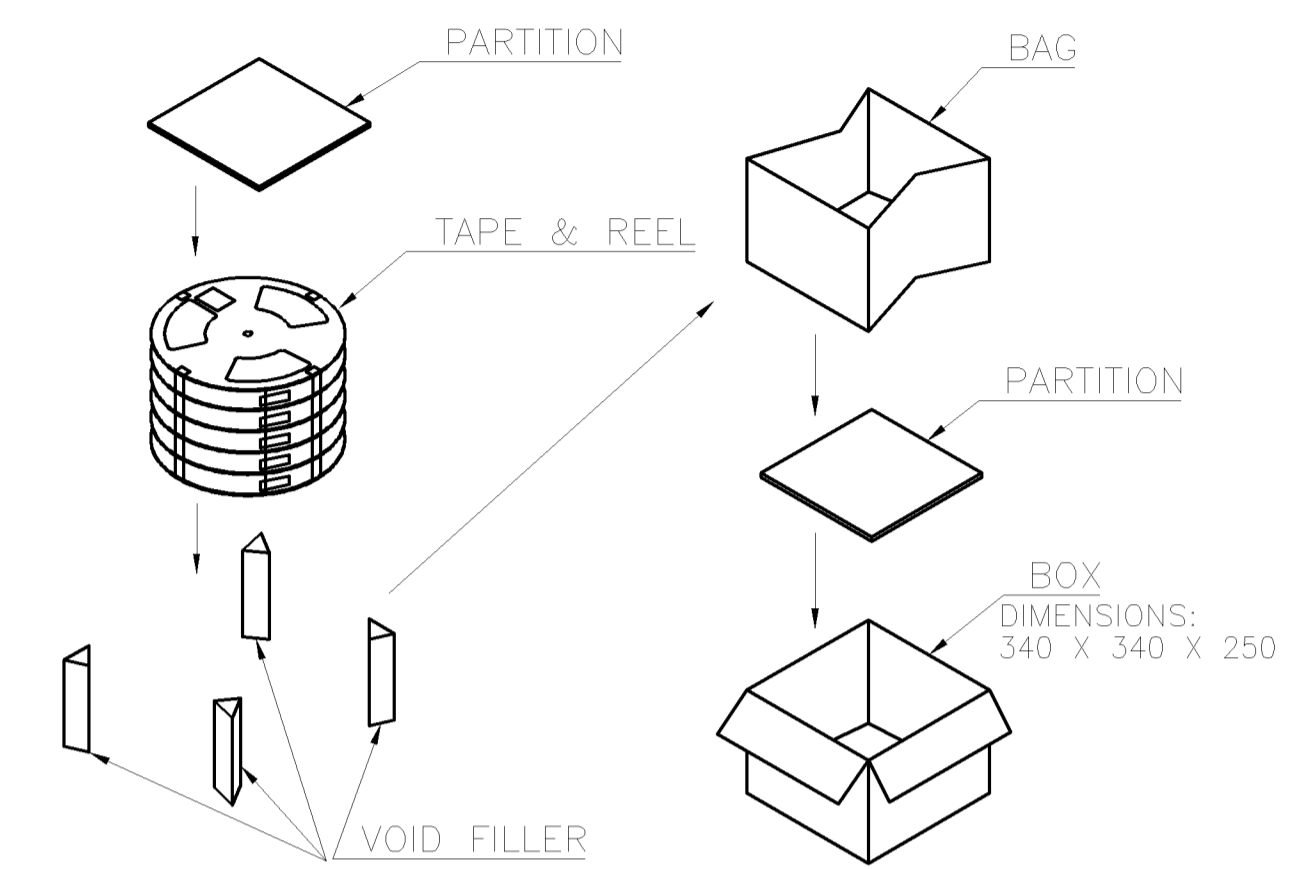
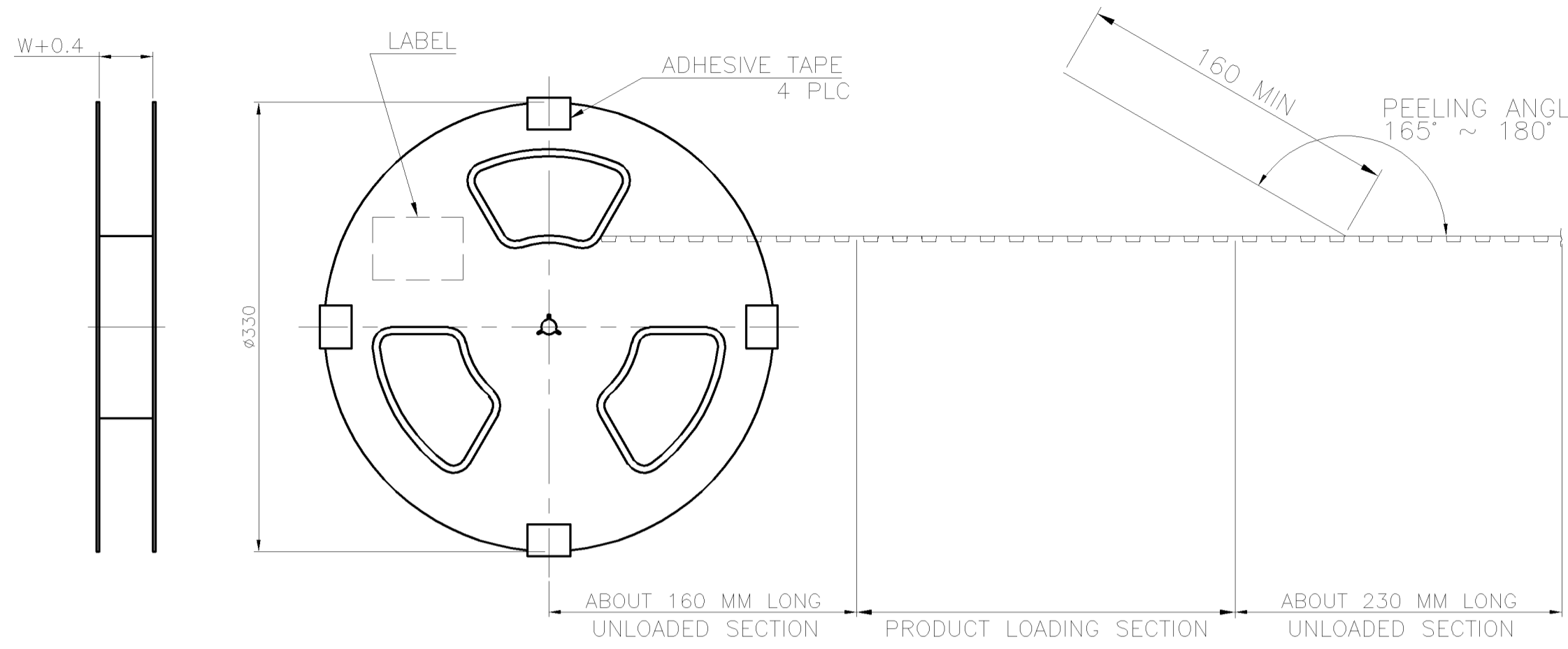
- MATERIAL:
HOUSING: LCP WITH 30% GF, UL 94V-0, NATURAL COLOR.
CAP: LCP WITH 30% GF, UL 94V-0, BLACK COLOR.
CONTACTS: PHOSPHOR BRONZE, 0.2±0.05mm THICKNESS.
TABS: BRASS, 0.2±0.05mm THICKNESS.
- FINISH:
CONTACTS: 2.54µm [100µ"] MIN. MATTE-TIN OVER
1.27µm [50µ"] MIN. NICKEL PLATED.
TABS: 2.54µm [100µ"] MIN. MATTE-TIN OVER
1.27µm [50µ"] MIN. NICKEL PLATED.
- REFLOW SOLDER CAPABLE TO 260°C PER TE TEST SPEC. 109-201, CONDITION B.
- NO ACCUMULATE TOLERANCE.
- NO TE LOGO AND DATE CODE ON THE PRODUCT.
- LOW HALOGEN SPEC:
CHLORINE(Cl): 900ppm MAX.
BROMIN(Br): 900ppm MAX.
CHLORINE(Cl) & BROMIN(Br): 1500ppm MAX.

0.28g	16.6	15.5	17.3	14.00	15	1-2041190-5
0.20g	9.6	8.5	10.3	7.00	8	2041190-8
0.18g	7.6	6.5	8.3	5.00	6	2041190-6
0.15g	5.6	4.5	6.3	3.00	4	2041190-4
WEIGHT	DIMENSIONS				NO. OF CONTACTS	PART NUMBER

THIS DRAWING IS A CONTROLLED DOCUMENT.		DWN F. YANG 18SEP2009	Tyco Electronics Corporation Taipei, Taiwan														
DIMENSIONS: MM		CHK S. CHIEN 18SEP2009	NAME														
TOLERANCES UNLESS OTHERWISE SPECIFIED:		APVD W. KODAMA 18SEP2009	PRODUCT SPEC														
<table border="1"> <tr><td>0 PLC</td><td>± -</td></tr> <tr><td>1 PLC</td><td>± 0.3</td></tr> <tr><td>2 PLC</td><td>± 0.2</td></tr> <tr><td>3 PLC</td><td>± 0.15</td></tr> <tr><td>4 PLC</td><td>± -</td></tr> <tr><td>ANGLES</td><td>± 3°</td></tr> </table>		0 PLC	± -	1 PLC	± 0.3	2 PLC	± 0.2	3 PLC	± 0.15	4 PLC	± -	ANGLES	± 3°	108-57264		APPLICATION SPEC	
0 PLC	± -																
1 PLC	± 0.3																
2 PLC	± 0.2																
3 PLC	± 0.15																
4 PLC	± -																
ANGLES	± 3°																
MATERIAL SEE NOTE		WEIGHT SEE TABLE		SIZE A3	CAGE CODE 00779	DRAWING NO C=2041190	RESTRICTED TO -										
CUSTOMER DRAWING				SCALE -	SHEET 1 OF 2	REV A2											

THIS DRAWING IS UNPUBLISHED. RELEASED FOR PUBLICATION AUG ,2006.
 © COPYRIGHT 2009 BY TYCO ELECTRONICS CORPORATION. ALL RIGHTS RESERVED.

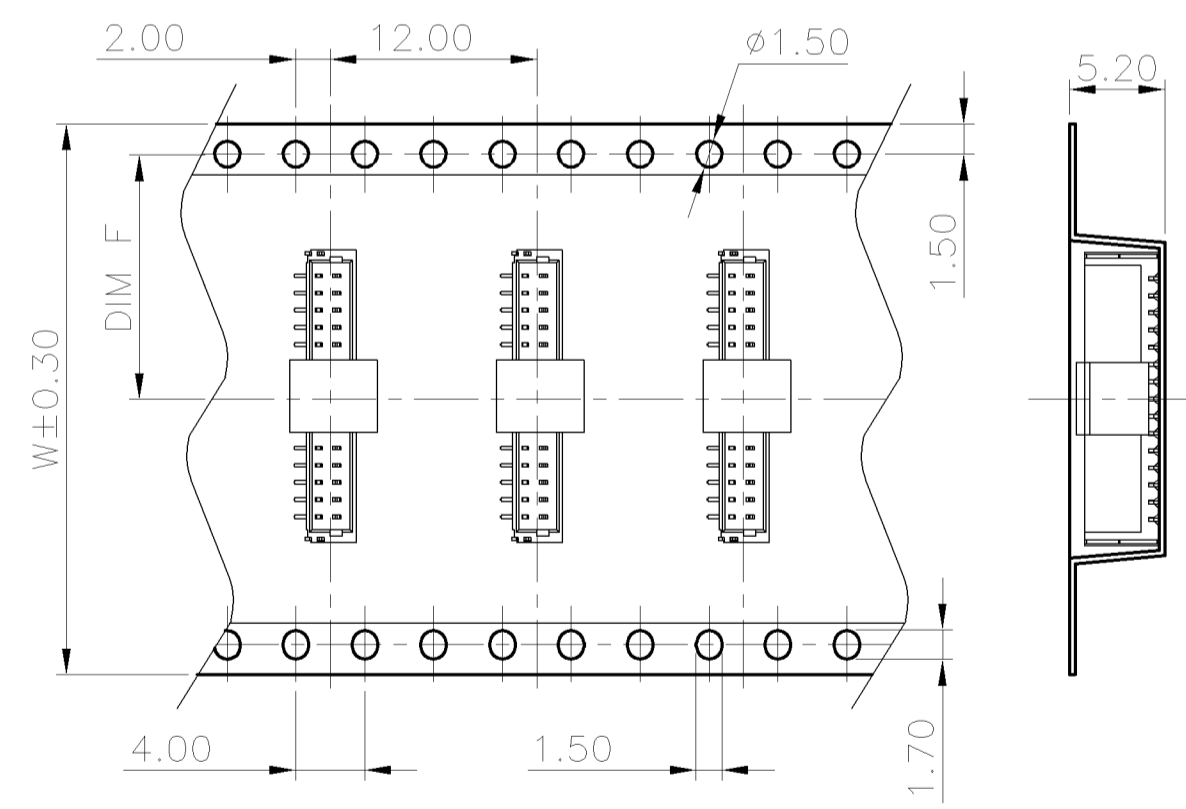
LOC DW	DIST /	REVISIONS		
P	LTR	DESCRIPTION	DATE	DWN APVD
		SEE SHEET 1.		



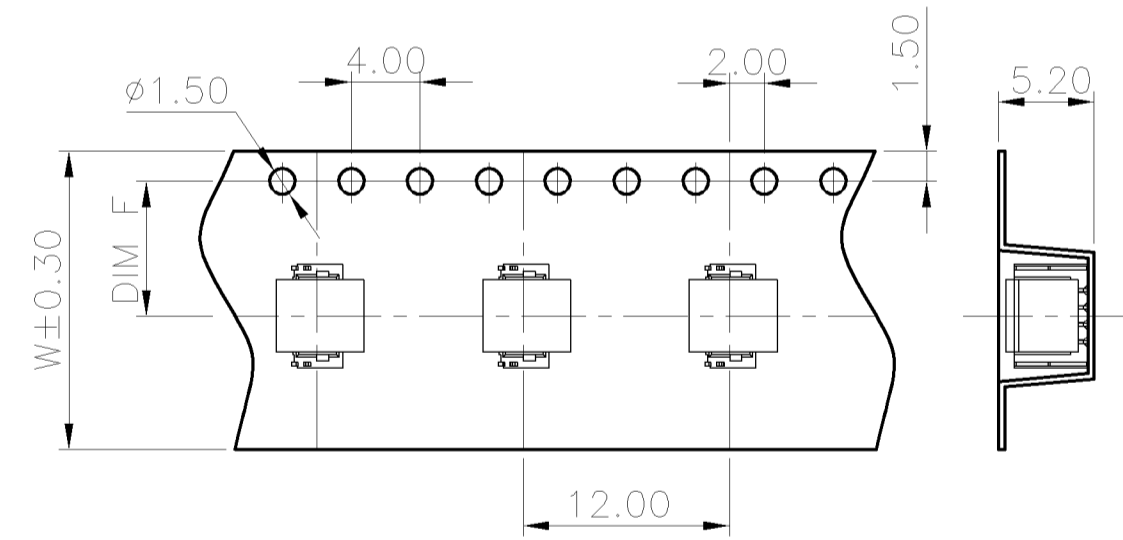
NOTE:
 1. PEELING RESISTANCE: 10gf ~ 130gf.
 2. PEELING SPEED: 300mm/MINUTES.

TOP OF TAPE →

TOP OF TAPE →



CARRIER FOR 15 PIN



CARRIER FOR 4 & 6 & 8 PIN

14.20	32.0	1000	6	6000	5.29	1.70	15
11.50	24.0	1000	7	7000	4.87	1.39	8
7.50	16.0	1000	10	10000	6.16	1.76	6
7.50	16.0	1000	10	10000	5.90	1.50	4
DIM F	DIM W	PCS/REEL	REELS/BOX	QUANTITY (PCS)	G/W (Kg)	N/W (Kg)	NO. OF CONTACTS

THIS DRAWING IS A CONTROLLED DOCUMENT.		DWN	Tyco Electronics Corporation Taipei, Taiwan				
DIMENSIONS: MM		CHK					
TOLERANCES UNLESS OTHERWISE SPECIFIED:		APVD	NAME				
0 PLC ± - 1 PLC ± - 2 PLC ± - 3 PLC ± - 4 PLC ± - ANGLES ± -		PRODUCT SPEC	WIRE TO BOARD CONNECTOR, 1.0MM PITCH SINGLE ROW, HEADER, SMT, VERTICAL TYPE.				
MATERIAL		APPLICATION SPEC	SIZE	CAGE CODE	DRAWING NO	RESTRICTED TO	
FINISH		WEIGHT	A3	00779	G=2041190	-	
CUSTOMER DRAWING			SCALE	SHEET	REV	A2	
			-	2 OF 2			