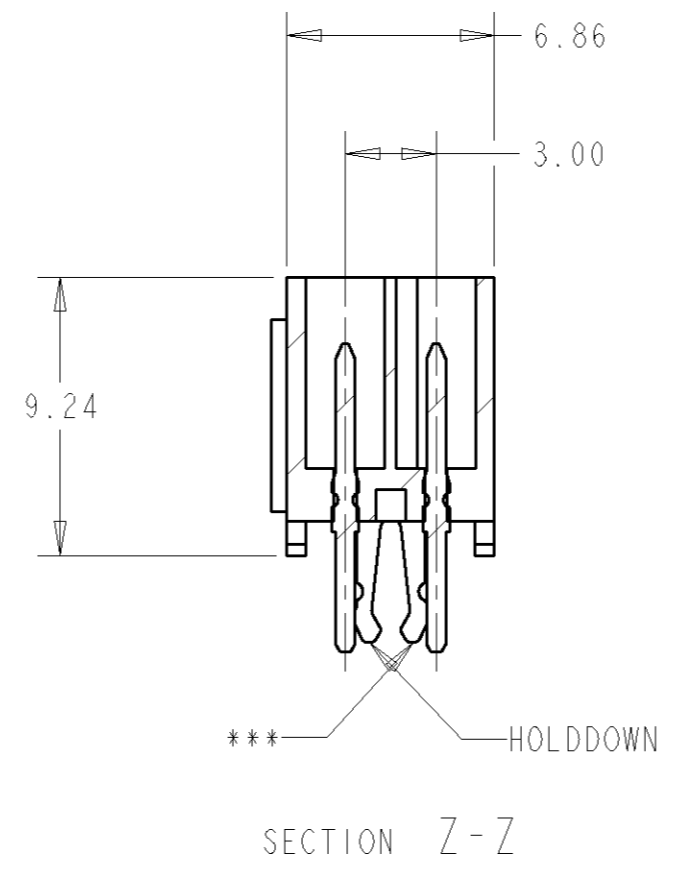
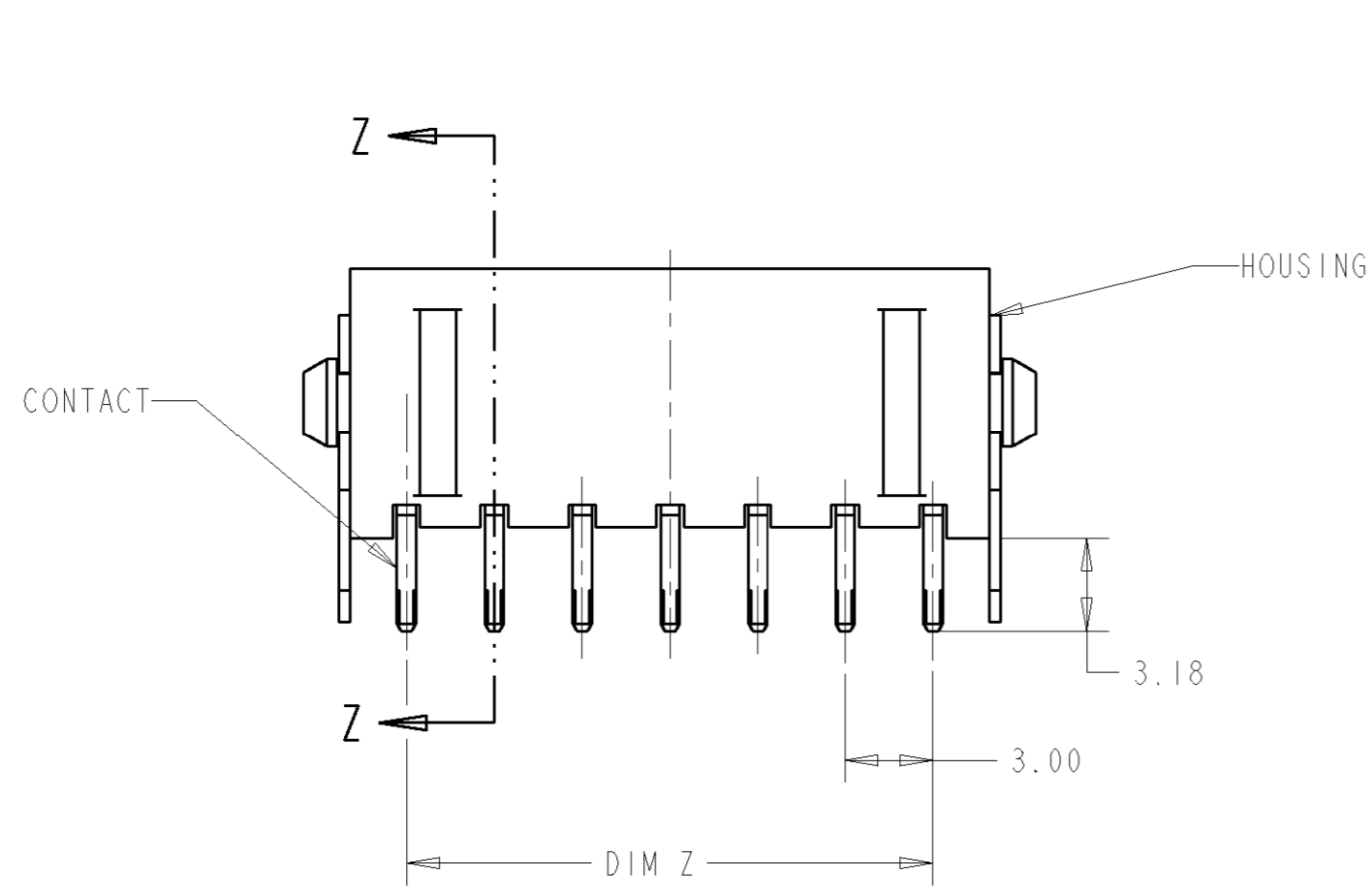
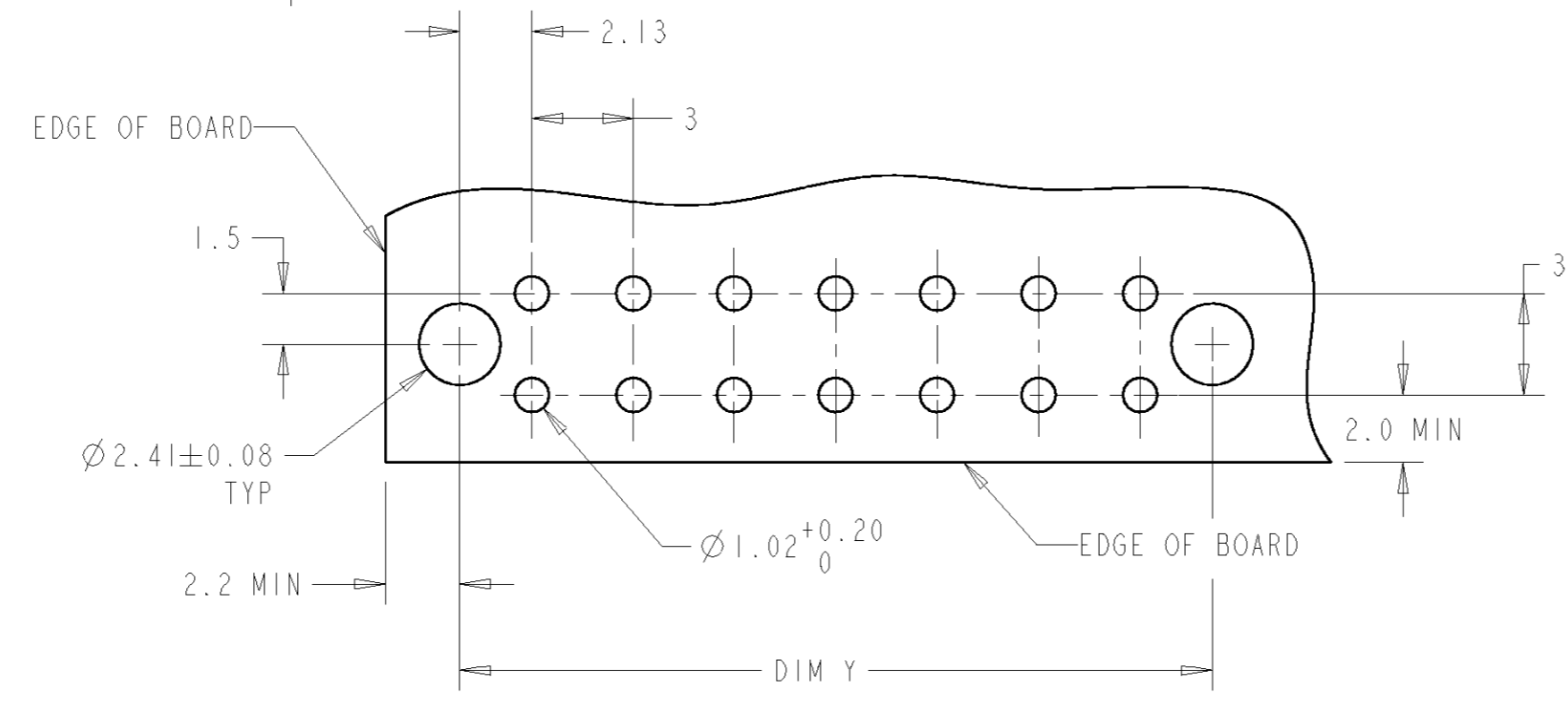
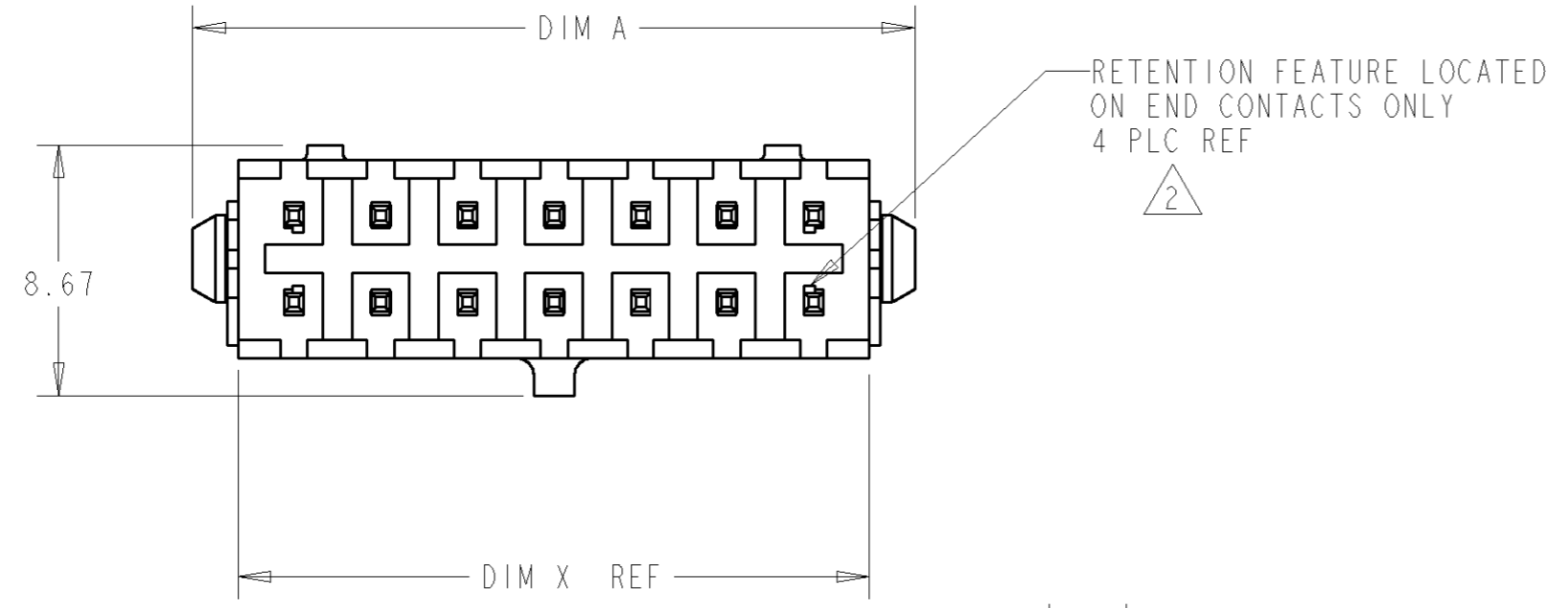


THIS DRAWING IS UNPUBLISHED. RELEASED FOR PUBLICATION  
 © COPYRIGHT 19 BY TYCO ELECTRONICS CORPORATION. ALL RIGHTS RESERVED.

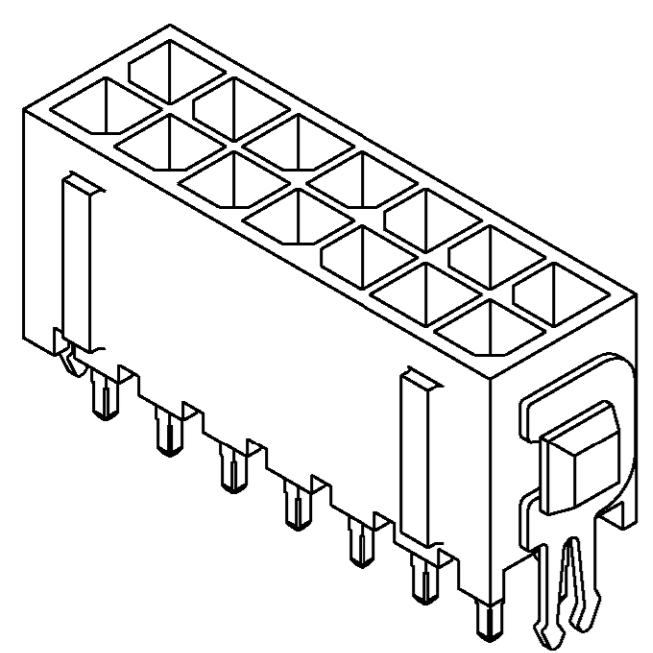
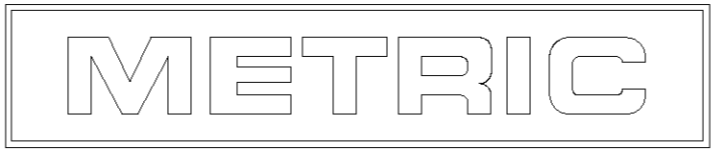
LOC		DIST		REVISIONS			
P	LTR	DESCRIPTION	DATE	DWN	APVD		
CM	00	D	REVISED PER 063B-0543-01	01FEB2002	KW	CJ	



- 1 MATERIAL: HOUSING - NYLON, UL 94V-0, BLACK.  
CONTACT - BRASS.  
0.00038 MINIMUM GOLD OVER 0.00254  
MINIMUM NICKEL ON MATING AREA. 0.00254  
TIN-LEAD MINIMUM OVER 0.00254 NICKEL  
MINIMUM ON SOLDER TAILS.  
HOLDDOWNS: PHOSPHOE BRONZE, .00254 TIN-LEAD.
- 2 MAXIMUM INSERTION 30 LBS.
- 3 RECOMMENDED BOARD THICKNESS 1.57.



RECOMMENDED MOUNTING HOLE PATTERN SCALE 5:1



3 DIMENSIONAL MODEL

40.00	33.00	37.30	36.86	24	2-794681-4
37.00	30.00	34.30	33.86	22	2-794681-2
34.00	27.00	31.30	30.86	20	2-794681-0
31.00	24.00	28.30	27.86	18	1-794681-8
28.00	21.00	25.30	24.86	16	1-794681-6
25.00	18.00	22.30	21.86	14	1-794681-4
22.00	15.00	19.30	18.86	12	1-794681-2
19.00	12.00	16.30	15.86	10	1-794681-0
16.00	9.00	13.30	12.86	8	794681-8
13.00	6.00	10.30	9.86	6	794681-6
10.00	3.00	7.30	6.86	4	794681-4
7.00	-	4.30	3.86	2	794681-2
DIM A	DIM Z	DIM Y	DIM X	NO. OF POSN.	PART NUMBER

DIMENSIONS: mm [ INCHES ]		TOLERANCES UNLESS OTHERWISE SPECIFIED:	
0 PLC	±	±	
1 PLC	±	±	
2 PLC	±	±0.13 [ .005 ]	
3 PLC	±	±	
4 PLC	±	±	
ANGLES		±	
FINISH		±	
MATERIAL	1	1	

DWN B. HAYMAKER 17AUG99	AMP Incorporated Harrisburg, PA 17105-3608
CHK K. COBLE 17AUG99	NAME <b>AMP</b> VERTICAL HEADER ASSEMBLY, THRU HOLE, 15 GOLD, DUAL ROW, MICRO MATE-N-LOK™
APVD K. COBLE 17AUG99	
PRODUCT SPEC -	SIZE A2
APPLICATION SPEC -	CAGE CODE 00779
WEIGHT -	DRAWING NO. 794681
CUSTOMER DRAWING	RESTRICTED TO -
SCALE 4:1	SHEET 1 OF 1
REV D	