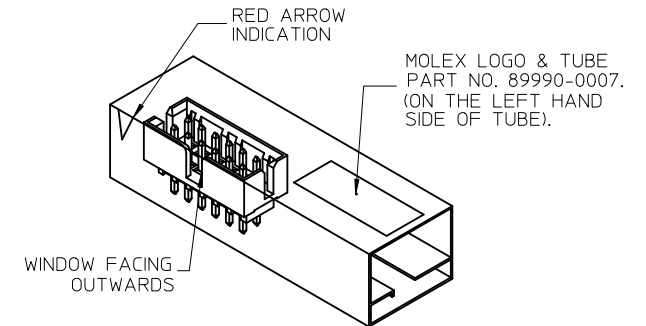


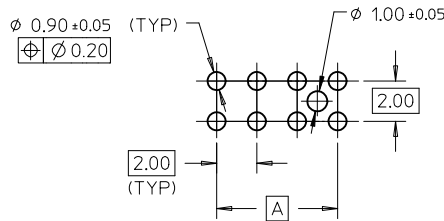
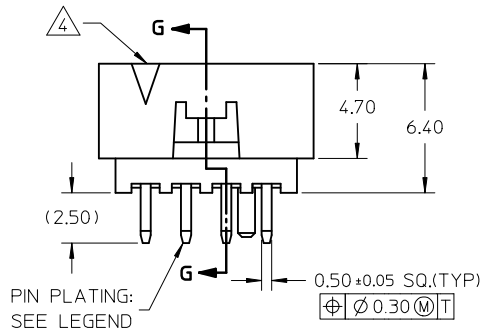
P/N IN TUBE	CKT SIZE	VOID PIN LOCATION	DIMENSION				
			A	B	C	D	E
87831-0632	6	-	4.00	6.85	8.65	7.00	2.00
87831-0832	8	-	6.00	8.85	10.65	9.00	3.00
87831-1032	10	-	8.00	10.85	12.65	11.00	4.00
87831-1232	12	-	10.00	12.85	14.65	13.00	5.00
87831-1233	12	1	10.00	12.85	14.65	13.00	5.00



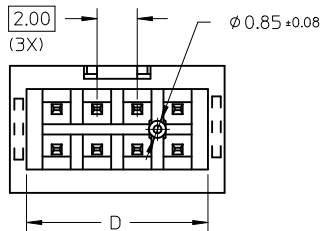
REF : ORIENTATION OF PART IN TUBE
(FOR THE REFERENCE OF PART/TUBE ASSEMBLY)

NOTES:

- FOR ILLUSTRATION PURPOSES, 8 CIRCUIT SIZE WAFER IS SHOWN.
- MATERIAL :
HOUSING : 30% G.F., NYLON 46, UL94V-0, COLOR BLACK.
PIN : 0.50MM SQ. PHOSPHOR BRONZE.
- PLATING :
0.38um/30uin GOLD IN CONTACT AREA AND 1.88um/75uin MIN.TIN IN SOLDER TAIL AREA OVER 1.27um/50uin MIN. NICKEL OVERALL.
- PRODUCT SPECIFICATION PS-87831-027 APPLIES.
- CKT 6 HAS NO IDENTIFICATION TAG.
- PIN PUSHOUT FORCE 0.91 KG MIN.
- THIS HEADER MATES WITH MOLEX :
a) CRIMP RECEPTACLE HOUSING, 51110 SERIES WITH CRIMP TERMINAL, 50394 SERIES.
b) 2MM MILLIGRID DUAL ROW IDT, 87568 SERIES.
- PARTS TO BE PACKED IN TUBE WITH MOISTURE BARRIER BAG.



RECOMMENDED PCB PATTERN



ADD PEG DIM EC NO: S2011-0901 DRWN:SKANG CHKD:ATSEE APPR:MLONG 2011/04/19 2011/05/04 2011/05/04	QUALITY SYMBOLS ▽=0 ◻=0	GENERAL TOLERANCES (UNLESS SPECIFIED)		DIMENSION STYLE MM ONLY		SCALE NTS	DESIGN UNITS METRIC	THIRD ANGLE PROJECTION		
			mm	INCH	DRAWN BY	DATE	TITLE			
		4 PLACES	± ---	± ---	ATSEE	2004/08/05	MGRID, SHROUDED HEADER VERTICAL, W/LOCK FEATURE			
		3 PLACES	± ---	± ---	CHECKED BY	DATE				
2 PLACES	± 0.2	± ---	KCLING	2004/08/17	MOLEX INCORPORATED					
1 PLACE	± ---	± ---	APPROVED BY	DATE						
ANGULAR ± 3 °		DRAFT WHERE APPLICABLE MUST REMAIN WITHIN DIMENSIONS		SKTOH	2004/08/20	DOCUMENT NO.		SHEET NO.		
A4		REV		SEE TABLE		SD-87831-032		1 OF 1		
THIS DRAWING CONTAINS INFORMATION THAT IS PROPRIETARY TO MOLEX INCORPORATED AND SHOULD NOT BE USED WITHOUT WRITTEN PERMISSION										