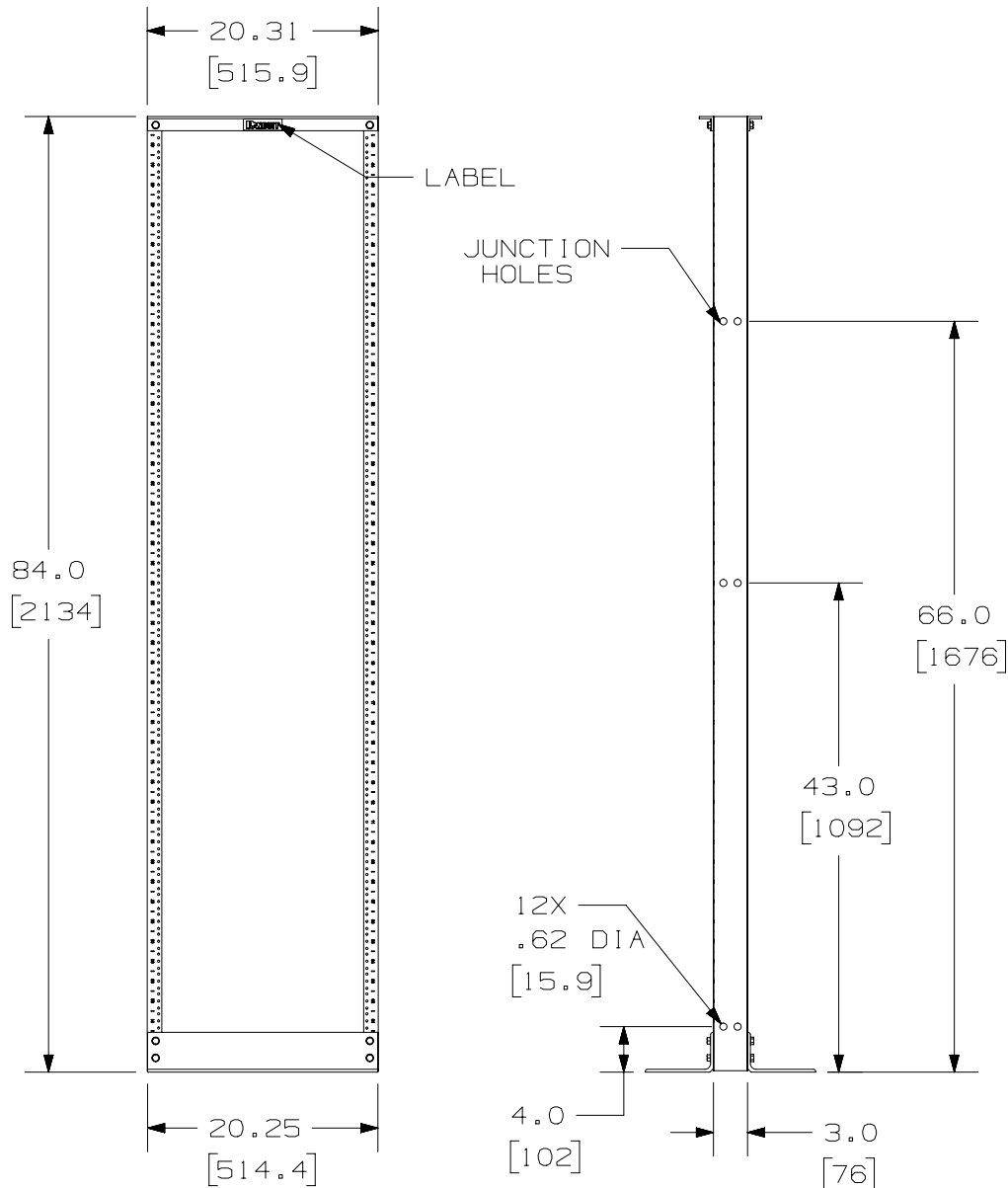


THIS COPY IS PROVIDED ON A RESTRICTED BASIS AND IS NOT TO BE USED IN ANY WAY DETRIMENTAL TO THE INTERESTS OF PANDUIT CORP.



PANDUIT P/N	WEIGHT
R2P	28.00 LB/EACH (12.70 KG/EACH)

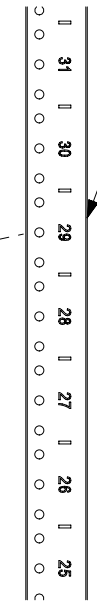
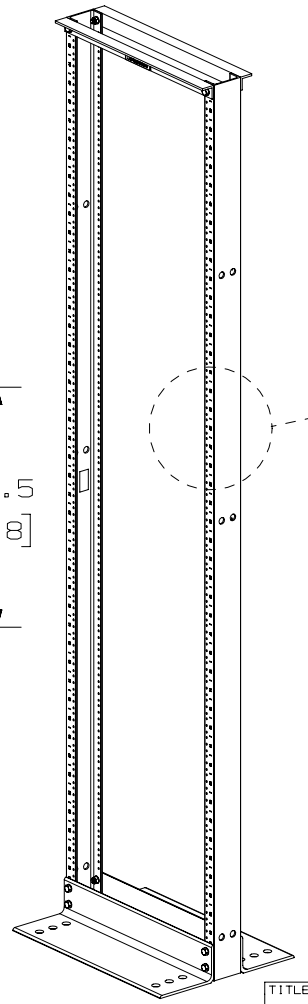
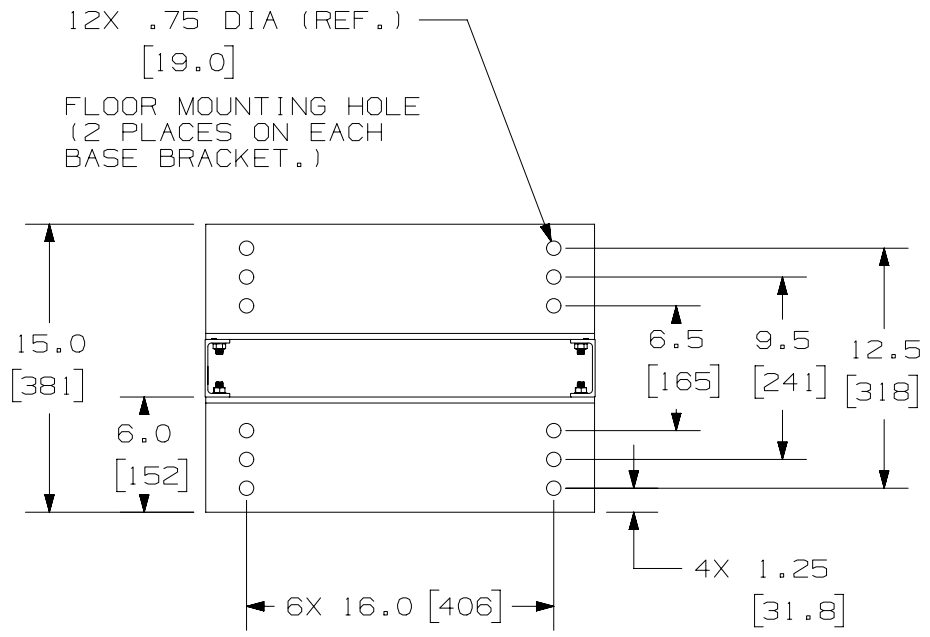
NOTES:

- CAN BE USED WITH ANY INDUSTRY STANDARD 19" COMPONENTS IN ADDITION TO ALL PANDUIT CABLE MANAGEMENT AND PATCH PANEL PRODUCTS.
- WILL HOLD UP TO 45 SINGLE RACK SPACINGS.
- EIA SPACING ON RACK: I.E., REF.
HOLE SPACING ON UPRIGHT CHANNELS:
.625, .625, .500, .625, .625, .500, ETC.
- ASSEMBLY IS REQUIRED.
- RACK PART THICKNESSES:
- UPRIGHT CHANNELS: WEB; .14 ±.03
FLANGE; .19 ±.03
- TOP BRACKET: .19 ±.03
- BASE BRACKET: .25 ±.03
- DIMENSIONS IN PARENTHESES ARE IN METRIC.
- ALL ASSEMBLY HARDWARE INCLUDED:
- (12) 3/8-16 X 1" BLACK HEX HEAD CAP SCREW
- (24) 3/8" PAINT PIERCING GROUNDING WASHER
- (1) TUBE OF ANTI-OXIDIZING PASTE
- (24) 12-24 X .5" SLOTTED PAN HEAD STEEL SCREWS
- (12) 3/8-16 BLACK HEX NUTS
- LOAD RATING-1000 LBS.
- RU SPACING NUMBERS ARE CLEARLY PRINTED ON MOUNTING RAILS. RU NUMBERING IS BOTTOM-UP, WITH RU #1 AT BOTTOM AND RU #45 AT TOP.

TITLE 7 U CABLE MANAGEMENT RACK (R2P) CUSTOMER DRAWING		PANDUIT
ITEM REVISION NAME 09V064AC/01	DATASET FILE NAME 09V064AC_DC/01B	
UNLESS OTHERWISE SPECIFIED, DIMENSIONAL TOLERANCES ARE: IN (mm) .x ± .1 [2.54] .xxx ± .005 [.127] .xx ± .01 [.25] ANGLES ± 5°		MATERIAL: ALUMINUM
THIRD ANGLE PROJECTION		DRAWING NUMBER: 09V064AC_DC
DRAWN BY BAME	DATE 5-26-10	CHK DPN
SCALE NONE		SHT 1 OF 2
REV		A

REV	DATE	BY	CHK	APR	DESCRIPTION	ECN
01B	4/22/13	RYB			REDRAWN, NEW TITLE BLOCK	09V064AC_DC

THIS COPY IS PROVIDED ON A RESTRICTED BASIS AND IS NOT TO BE USED IN ANY WAY DETRIMENTAL TO THE INTERESTS OF PANDUIT CORP.



TITLE		7" CABLE MANAGEMENT RACK (R2P)	
		CUSTOMER DRAWING	
ITEM REVISION NAME		09V064AC/01	
DATASET FILE NAME		09V064AC_DC/01B	
UNLESS OTHERWISE SPECIFIED, DIMENSIONAL TOLERANCES ARE: IN (mm)			
.x ± .1 [2.54] .xxx ± .005 [.127] .xx ± .01 [.25] ANGLES ± 5°			
DRAWING NUMBER:		09V064AC_DC	
REV	DATE	BY	CHK
01B	4/22/13	RYB	
DESCRIPTION		ECN	
SEE SHEET 1 OF 2		09V064AC_DC	
DRAWN BY	DATE	CHK	SCALE
BAME	5-26-10	DPN	NONE
SHT 2 OF 2		SIZE	
		A	

2

1

2

1