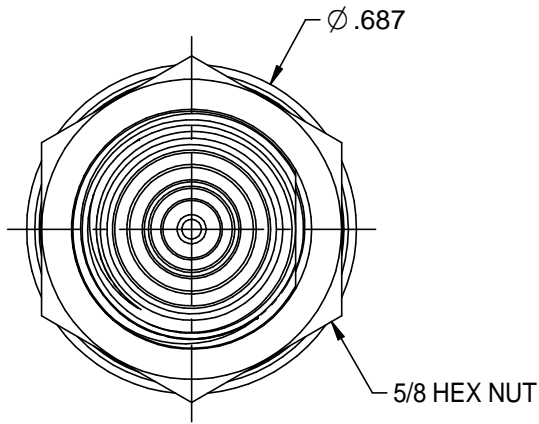
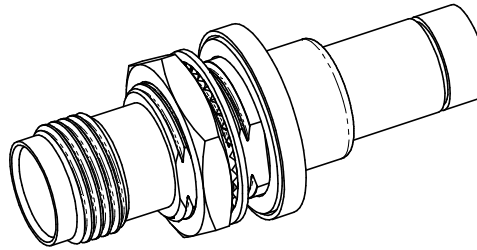
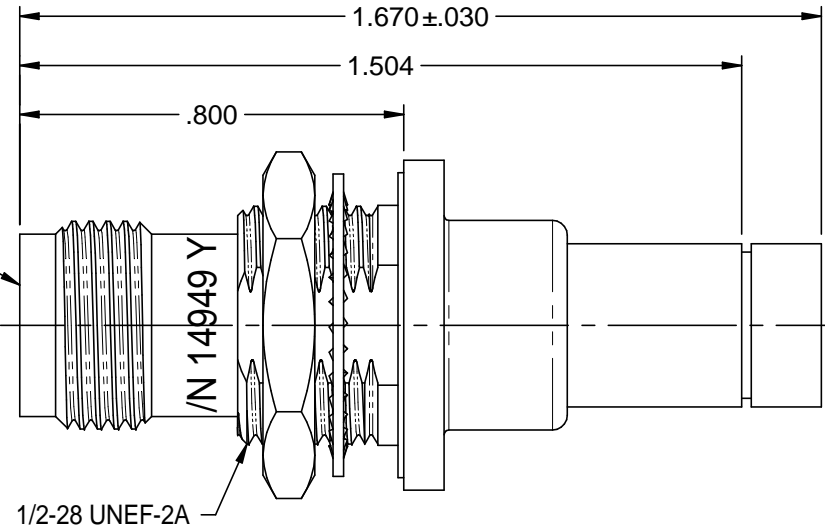


TABLE 1				
MILITARY PART NO.	MILITARY CABLE NO.	NSN	TROMPETER MODEL NO.	ASSEMBLE PER
M49142/09-0016	M17/45-RG108	-	3-0341-1	TAI-206
M49142/09-0017	M17/176-00002	5935015084556	3-0341-2	

REV	ECO	DATE
B	55164	9/5/2014



TRT INTERFACE
PER MIL-STD-348
FIGURE 202-2



3-0341-1 SHOWN

NOTES: UNLESS OTHERWISE SPECIFIED.

1. MATERIAL & FINISH:

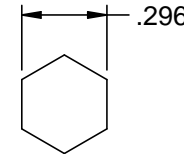
- 1.1 BODY, CRIMP FERRULE, CRIMP SLEEVE & INSERT: SILVER PLATED BRASS
- 1.2 INSULATOR: PTFE (TEFLON)
- 1.3 INTERMEDIATE CONTACT: GOLD PLATED BRASS
- 1.4 DIELECTRIC: PTFE (TEFLON)
- 1.5 CENTER CONTACT: GOLD PLATED BERYLLIUM COPPER
- 1.6 GASKET: SILICONE RUBBER
- 1.7 MOUNTING HARDWARE: SILVER PLATER BRASS ALLOY

2. ELECTRICAL:

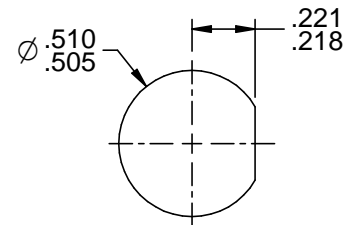
- 2.1 FREQUENCY (MAX): 500 MHz
- 2.2 IMPEDANCE: NON-CONSISTENT

3. PANEL THICKNESS (MAX): .109

4. PANEL NUT TORQUE (MAX): 35 IN LBS



RECOMMENDED
HEX CRIMP



RECOMMENDED
PANEL CUTOUT

<p>This PROPRIETARY Document is property of Cinch Connectivity Solutions. It is confidential in nature, non-transferable, and issued with the clear understanding that it is not to be copied without permission and is returnable upon demand.</p> <p>INTERPRET DRAWING IN ACCORDANCE WITH ASME Y14.5-2009.</p>	Model No.	3-0341-X		TROMPETER			
	RoHS2	2011/65/EU	Cage Code			14949	Title:
	UNLESS OTHERWISE SPECIFIED: UNITS: INCH		3RD ANGLE PROJECTION	Drawn by:	C. WALLACE	Drawing No.	C_3-0341
	ANGLES ±2°		Date:	9/10/2014	Size	A	DO NOT SCALE DRAWING
		Workmanship Std:	TFS-4	Rev.	B	Sheet 1 of 1	