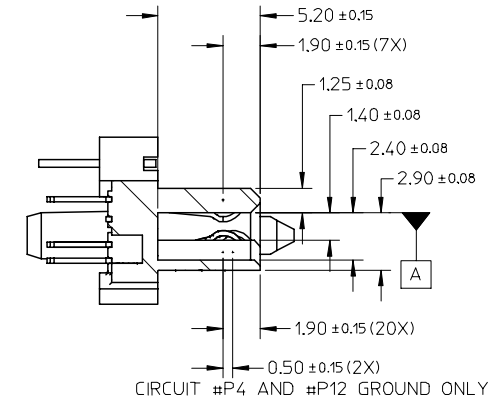
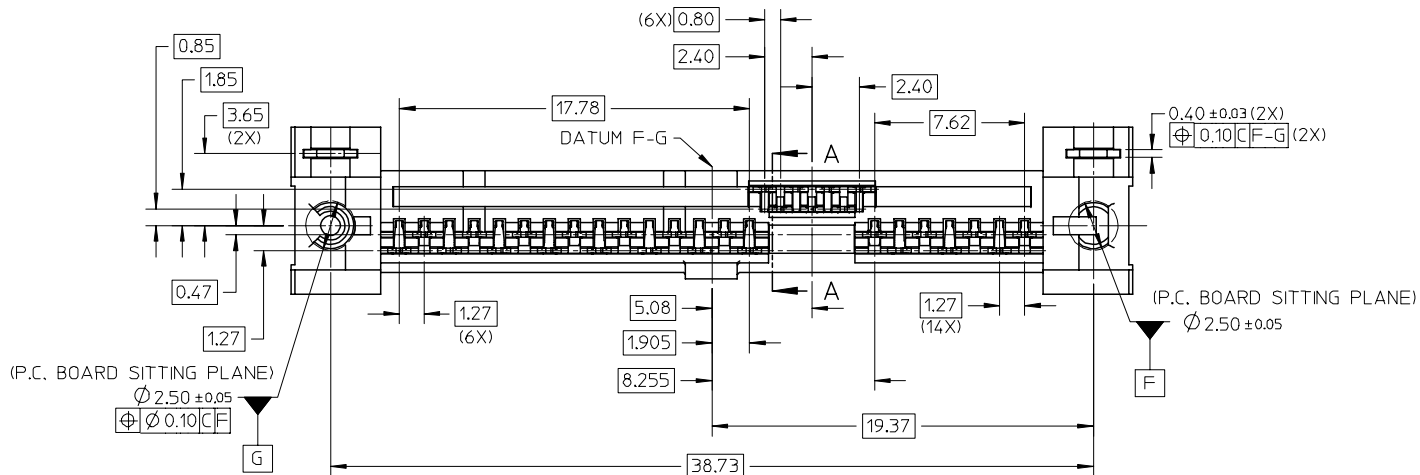
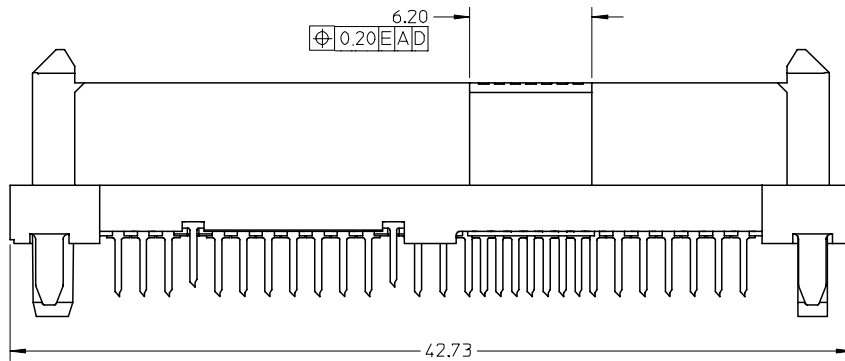


- NOTES:
- MATERIAL:
HOUSING: LIQUID CRYSTAL POLYMER, GLASS FILLED, UL 94V-0, COLOUR BLACK.
TERMINAL/BLADE: COPPER ALLOY.
 - PLATING:
TERMINAL CONTACTS: 0.76µm MIN. SELECTIVE GOLD
OVER 1.27m MIN. NICKEL UNDERPLATE.
TERMINAL SOLDER TAILS/BLADE: 2.54µm MIN. TIN
OVER 1.27m MIN. NICKEL UNDERPLATE.
 - MOLEX LOGO AND DATE CODE LOCATED APPROXIMATELY AS SHOWN.
 - PRODUCT CONFORMS TO SFF-8482 SPECIFICATION.
 - KEEP OUT ZONE ON BOTH SIDE OF THE PCB FOR CONNECTOR.
 - PACKAGING: TRAY.
 - PRODUCT SPECIFICATION PS-87970-003 APPLIES.
 - MATES WITH: SFF-8482 PLUG
SATA PLUG SERIES 87679, 87703 AND 87799
 - THIS PRODUCT IS COMPLIANT TO RoHS DIRECTIVE WITH THE FOLLOWING BANNED SUBSTANCES - LEAD, MERCURY, CADMIUM, HEXAVALENT CHROMIUM, POLYBROMINATED BIPHENYLS, POLYBROMINATED DIPHENYLS ETHERS.

THIS DESIGN IS BASED ON DESIGN OBJECTIVES AND IS STRICTLY TENTATIVE. IT MAY CHANGE BASED ON RESULTS OF ADDITIONAL DESIGN REVIEWS & VERIFICATIONS.

REVISED EC NO: S2006-0480 DRWN: YKOH CHKD: SHONG APPR: KCLING 2005/11/10 2005/11/10 2005/11/11	QUALITY SYMBOLS ▽=0 ▽=0	GENERAL TOLERANCES (UNLESS SPECIFIED)		DIMENSION STYLE	SCALE	DESIGN UNITS	THIRD ANGLE PROJECTION	
				MM ONLY	NTS	METRIC		
				mm	INCH			
				DRAFT WHERE APPLICABLE MUST REMAIN WITHIN DIMENSIONS				
A1	DESCRIPTION	DRAWN BY DATE		TITLE				
		DKOH 2004/12/03		SERIAL ATTACH SCSI VERT. STAGGERED T/H STANDARD HEIGHT				
A1	REV	CHECKED BY DATE		MOLEX INCORPORATED				
		KCLING 2005/01/13		MATERIAL NO. 87970-0001				
A1	REV	APPROVED BY DATE		DOCUMENT NO.		SHEET NO.		
		SKTOH 2005/01/14		SD-87970-001		1 OF 4		

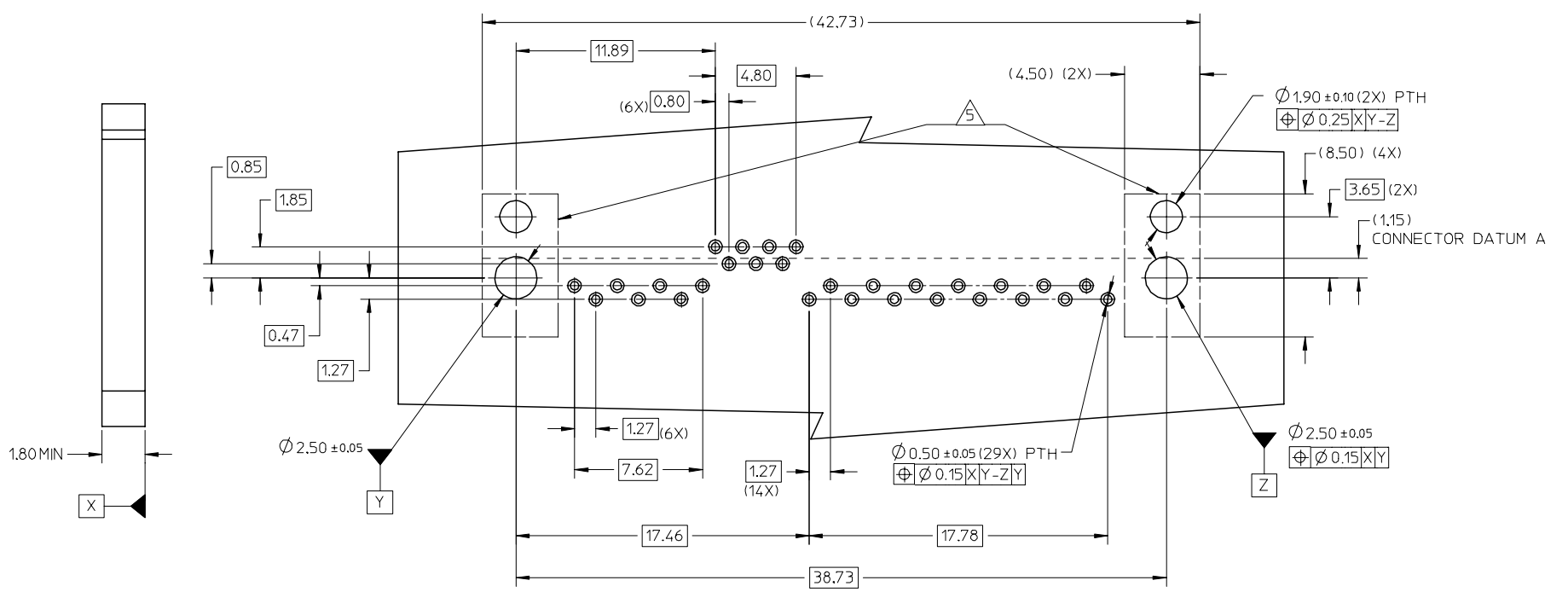


SECTION A-A

SEE SHEET 1 EC NO: S2006-0480 DRWN:YKOH CHKD:SHONG APPR:KCLING	2005/11/10 2005/11/10 2005/11/11	QUALITY SYMBOLS ▽=0 ▽=0	GENERAL TOLERANCES (UNLESS SPECIFIED)		DIMENSION STYLE MM ONLY		SCALE NTS	DESIGN UNITS METRIC	THIRD ANGLE PROJECTION		
			4 PLACES ± ---	± ---	DRAWN BY DKOH	DATE 2004/12/03	SERIAL ATTACH SCSI VERT. STAGGERED T/H STANDARD HEIGHT MOLEX INCORPORATED				
			3 PLACES ± ---	± ---	CHECKED BY KCLING	DATE 2005/01/13					
			2 PLACES ± 0.20	± ---	APPROVED BY SKTOH	DATE 2005/01/14	MATERIAL NO. 87970-0001	DOCUMENT NO. SD-87970-001	SHEET NO. 2 OF 4		
1 PLACE ± ---	± ---	DRAFT WHERE APPLICABLE MUST REMAIN WITHIN DIMENSIONS		SIZE A3		THIS DRAWING CONTAINS INFORMATION THAT IS PROPRIETARY TO MOLEX INCORPORATED AND SHOULD NOT BE USED WITHOUT WRITTEN PERMISSION					

10 9 8 7 6 5 4 3 2 1

F E D C B A



RECOMMENDED PCB LAYOUT

SEE SHEET 1 EC NO: S2006-0480 DRWN:YKOH CHKD:SHONG APPR:KCLING	2005/11/10 2005/11/10 2005/11/11	QUALITY SYMBOLS ▽=0 ▽C=0	GENERAL TOLERANCES (UNLESS SPECIFIED) <table border="1"> <thead> <tr> <th></th> <th>mm</th> <th>INCH</th> </tr> </thead> <tbody> <tr> <td>4 PLACES</td> <td>± ---</td> <td>± ---</td> </tr> <tr> <td>3 PLACES</td> <td>± ---</td> <td>± ---</td> </tr> <tr> <td>2 PLACES</td> <td>± 0.20</td> <td>± ---</td> </tr> <tr> <td>1 PLACE</td> <td>± ---</td> <td>± ---</td> </tr> </tbody> </table>		mm	INCH	4 PLACES	± ---	± ---	3 PLACES	± ---	± ---	2 PLACES	± 0.20	± ---	1 PLACE	± ---	± ---	DIMENSION STYLE MM ONLY	SCALE NTS	DESIGN UNITS METRIC	THIRD ANGLE PROJECTION
		mm	INCH																			
	4 PLACES	± ---	± ---																			
	3 PLACES	± ---	± ---																			
2 PLACES	± 0.20	± ---																				
1 PLACE	± ---	± ---																				
REV A1	DESCRIPTION	DRAFT WHERE APPLICABLE MUST REMAIN WITHIN DIMENSIONS	DRAWN BY DKOH	DATE 2004/12/03	TITLE SERIAL ATTACH SCSI VERT. STAGGERED T/H STANDARD HEIGHT	MOLEX INCORPORATED	SHEET NO. 3 OF 4															
			APPROVED BY SKTOH	DATE 2005/01/14	MATERIAL NO. 87970-0001	DOCUMENT NO. SD-87970-001																
			THIS DRAWING CONTAINS INFORMATION THAT IS PROPRIETARY TO MOLEX INCORPORATED AND SHOULD NOT BE USED WITHOUT WRITTEN PERMISSION																			

9 8 7 6 5 4 3 2 1

10 9 8 7 6 5 4 3 2 1

F

F

E

E

D

D

C

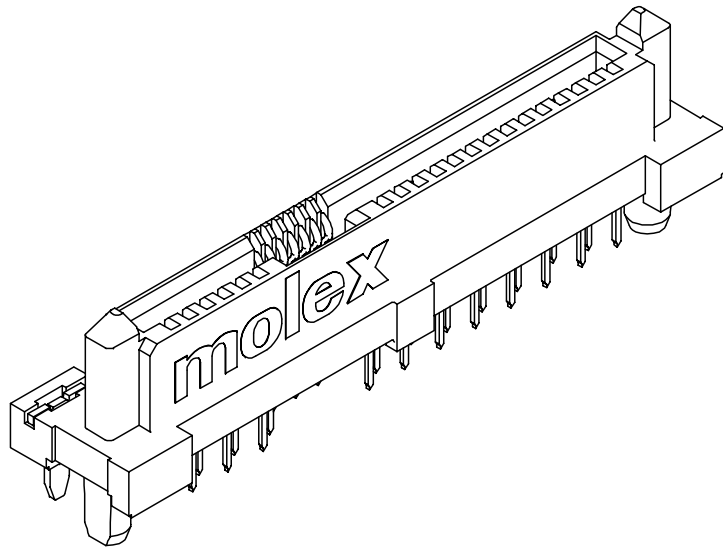
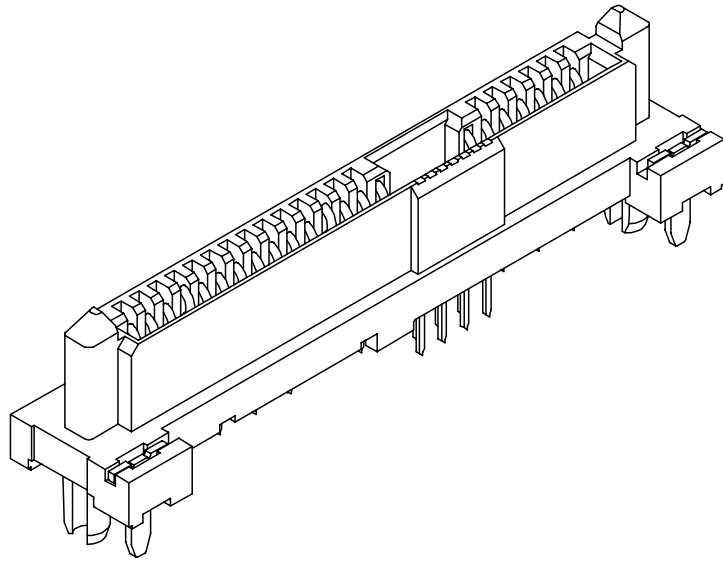
C

B

B

A

A



SEE SHEET 1 EC NO: S2006-0480 DRWN:YKOH CHKD:SHONG APPR:KCLING	2005/11/10 2005/11/10 2005/11/11	DESCRIPTION REV	QUALITY SYMBOLS ▽=0 ◻=0	GENERAL TOLERANCES (UNLESS SPECIFIED)		DIMENSION STYLE MM ONLY		SCALE NTS	DESIGN UNITS METRIC	THIRD ANGLE PROJECTION		
				4 PLACES ± --- ± --- 3 PLACES ± --- ± --- 2 PLACES ± 0.20 ± --- 1 PLACE ± --- ± ---	mm INCH	DRAWN BY DKOH	DATE 2004/12/03	SERIAL ATTACH SCSI VERT. STAGGERED T/H STANDARD HEIGHT				
				ANGULAR ± 3 °		CHECKED BY KCLING	DATE 2005/01/13					
						APPROVED BY SKTOH	DATE 2005/01/14	MOLEX INCORPORATED				
				DRAFT WHERE APPLICABLE MUST REMAIN WITHIN DIMENSIONS	MATERIAL NO. 87970-0001	DOCUMENT NO. SD-87970-001	SHEET NO. 4 OF 4					

9 8 7 6 5 4 3 2 1