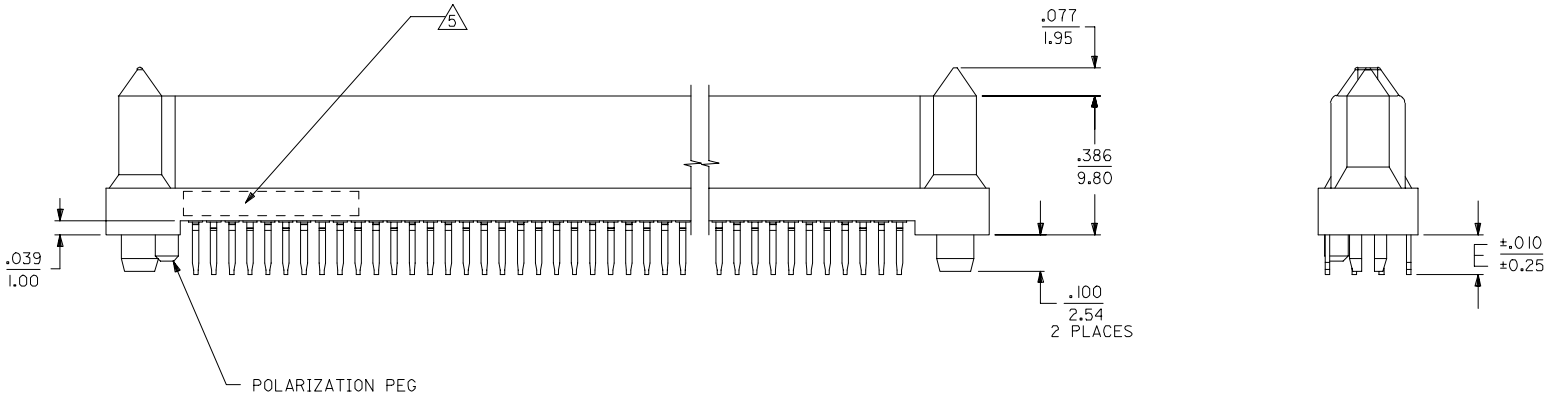
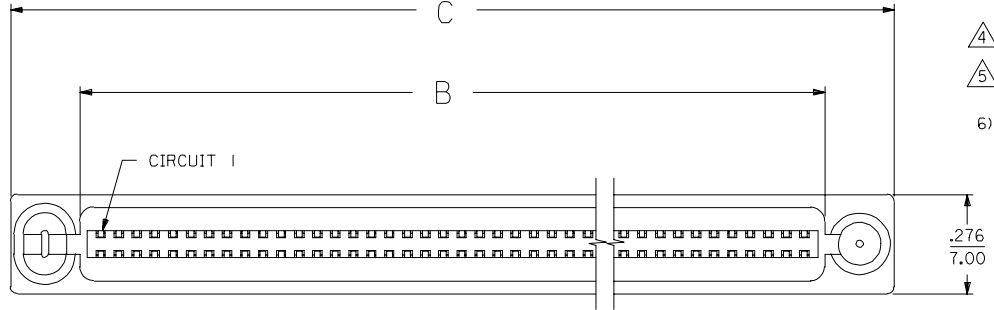


13 12 11 10 9 8 7 6 5 4 3 2 1

J
I
H
G
F
E
D
C
B
A

NOTES:

- 1) MATERIALS:
HOUSING- GLASS FILLED LCP (LIQUID CRYSTAL POLYMER), UL94V-0, BLACK.
TERMINALS- COPPER ALLOY
- 2) FINISH:
TERMINALS: GOLD (Au) IN THE CONTACT AREA;
THICKNESS= 30 MICROINCH/0.76 MICROMETER MINIMUM;
TIN (Sn) IN THE PC TAIL AREA;
THICKNESS=100 MICROINCH/2.54 MICROMETER MINIMUM;
NICKEL (Ni) UNDERPLATE OVERALL.
CONTACT AREA IS COATED WITH MOLEX PROPRIETARY LUBE
- 3) MATES WITH MOLEX PRODUCT 71661-7***.
CONFORMS TO PRODUCT SPECIFICATION PS-71660.
- 4) RECOMMENDED P.C. BOARD THICKNESS IS .062 INCH/1.6 MM.
- 5) FOUR DIGIT DATE CODE TO BE LOCATED ON SURFACE AS SHOWN.
- 6) PACKAGED PER MOLEX SPEC PK-71660.

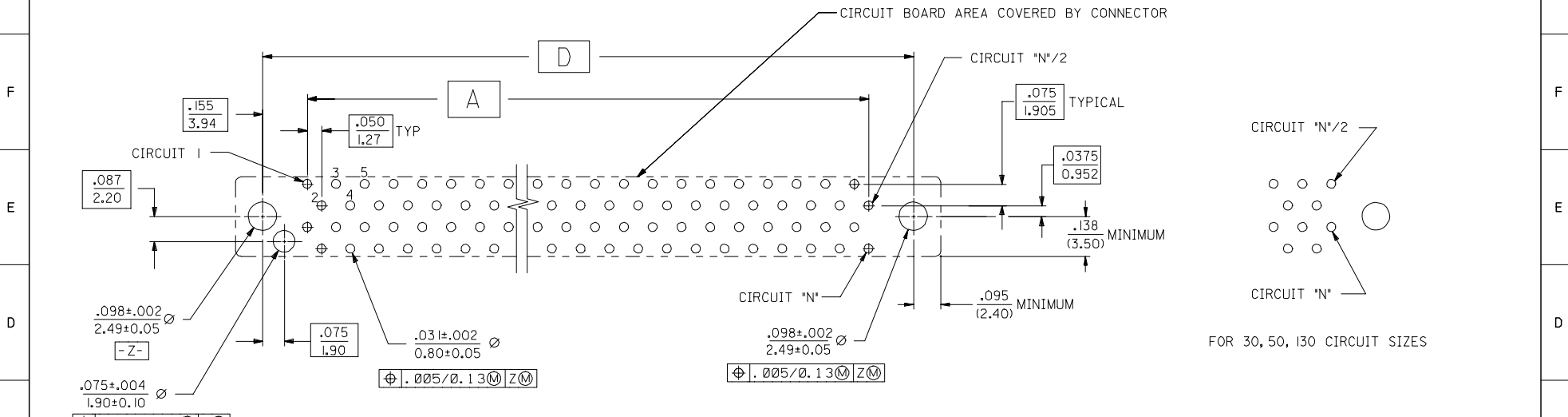


2	A
1	A
SHT	REV

INITIAL RELEASE EC NO: UCP2004-2054 DRW: BARKER 2005/02/08 CHK: MORGAN 2005/02/08 APPR: MILLER 2005/02/11	QUALITY SYMBOLS ▽=0 ▽=0	GENERAL TOLERANCES (UNLESS SPECIFIED) <table border="1"> <tr> <th></th> <th>mm</th> <th>INCH</th> </tr> <tr> <td>4 PLACES</td> <td>± .005</td> <td>± .0005</td> </tr> <tr> <td>3 PLACES</td> <td>± .010</td> <td>± .0010</td> </tr> <tr> <td>2 PLACES</td> <td>± .013</td> <td>± .0010</td> </tr> <tr> <td>1 PLACE</td> <td>± 0.25</td> <td>± .0100</td> </tr> </table> ANGULAR ± 2 °		mm	INCH	4 PLACES	± .005	± .0005	3 PLACES	± .010	± .0010	2 PLACES	± .013	± .0010	1 PLACE	± 0.25	± .0100	DIMENSION STYLE IN/MM	SCALE 4:1	DESIGN UNITS INCH	THIRD ANGLE PROJECTION
		mm	INCH																		
	4 PLACES	± .005	± .0005																		
	3 PLACES	± .010	± .0010																		
2 PLACES	± .013	± .0010																			
1 PLACE	± 0.25	± .0100																			
DRAWN BY BARKER	DATE 04/04/19	TITLE SALES ASSEMBLY - MOLEX EBBI 50D VERTICAL BLIND MATE RECEPTACLE W/ LUBE		MOLEX INCORPORATED																	
CHECKED BY MORGAN	DATE 04/04/19	APPROVED BY MILLER		MATERIAL NO. SEE TABLE	DOCUMENT NO. SD-71660-003	SHEET NO. 1 OF 2															
DRAFT WHERE APPLICABLE MUST REMAIN WITHIN DIMENSIONS		SIZE C		THIS DRAWING CONTAINS INFORMATION THAT IS PROPRIETARY TO MOLEX INCORPORATED AND SHOULD NOT BE USED WITHOUT WRITTEN PERMISSION																	

12 11 10 9 8 7 6 5 4 3 2 1

ITEM NUMBER	CKT ('N')	A	B	C	D	E
	30	.700 (17.78)	.815 (20.70)	1.199 (30.45)	1.010 (25.65)	.110 (2.79)
	40	.950 (24.13)	1.065 (27.05)	1.449 (36.80)	1.260 (32.00)	
	50	1.200 (30.48)	1.315 (33.40)	1.699 (43.15)	1.510 (38.35)	
	60	1.450 (36.83)	1.565 (39.75)	1.949 (49.50)	1.760 (44.70)	
71660-6068	68	1.650 (41.91)	1.765 (44.83)	2.149 (54.58)	1.960 (49.78)	
	80	1.950 (49.53)	2.065 (52.45)	2.449 (62.20)	2.260 (57.40)	
	100	2.450 (62.23)	2.565 (65.15)	2.949 (74.90)	2.760 (70.10)	.134 (3.40)
	120	2.950 (74.93)	3.065 (77.85)	3.449 (87.60)	3.260 (82.80)	
	130	3.200 (81.28)	3.315 (84.20)	3.699 (93.95)	3.510 (89.15)	
	30	.700 (17.78)	.815 (20.70)	1.199 (30.45)	1.010 (25.65)	
	40	.950 (24.13)	1.065 (27.05)	1.449 (36.80)	1.260 (32.00)	
	50	1.200 (30.48)	1.315 (33.40)	1.699 (43.15)	1.510 (38.35)	
	60	1.450 (36.83)	1.565 (39.75)	1.949 (49.50)	1.760 (44.70)	
	68	1.650 (41.91)	1.765 (44.83)	2.149 (54.58)	1.960 (49.78)	
	80	1.950 (49.53)	2.065 (52.45)	2.449 (62.20)	2.260 (57.40)	
	100	2.450 (62.23)	2.565 (65.15)	2.949 (74.90)	2.760 (70.10)	
	120	2.950 (74.93)	3.065 (77.85)	3.449 (87.60)	3.260 (82.80)	
	130	3.200 (81.28)	3.315 (84.20)	3.699 (93.95)	3.510 (89.15)	



RECOMMENDED PC BOARD LAYOUT Δ
 COMPONENT SIDE
 FOR 40, 60, 68, 80, 100, 120 CIRCUIT SIZES

INITIAL RELEASE EC NO: UCP2004-2054 DRW: BARKER 2005/02/08 CHK: D MORGAN 2005/02/08 APPR: SMILLER 2005/02/11	QUALITY SYMBOLS 	GENERAL TOLERANCES (UNLESS SPECIFIED)		DIMENSION STYLE IN/MM		SCALE 4:1	DESIGN UNITS INCH	THIRD ANGLE PROJECTION	
		4 PLACES ± .005	± .005	DRAWN BY BARKER	DATE 04/04/19	TITLE SALES ASSEMBLY - MOLEX EBBI 50D VERTICAL BLIND MATE RECEPTACLE W/ LUBE			
		3 PLACES ± .010	± .010	CHECKED BY MORGAN	DATE 04/04/19	MOLEX INCORPORATED			
		2 PLACES ± 0.13	± .010	APPROVED BY MILLER	DATE 04/04/19	MATERIAL NO. SEE TABLE DOCUMENT NO. SD-71660-003 SHEET NO. 2 OF 2			
DRAFT WHERE APPLICABLE MUST REMAIN WITHIN DIMENSIONS		ANGULAR ± 2°		SIZE C		THIS DRAWING CONTAINS INFORMATION THAT IS PROPRIETARY TO MOLEX INCORPORATED AND SHOULD NOT BE USED WITHOUT WRITTEN PERMISSION			