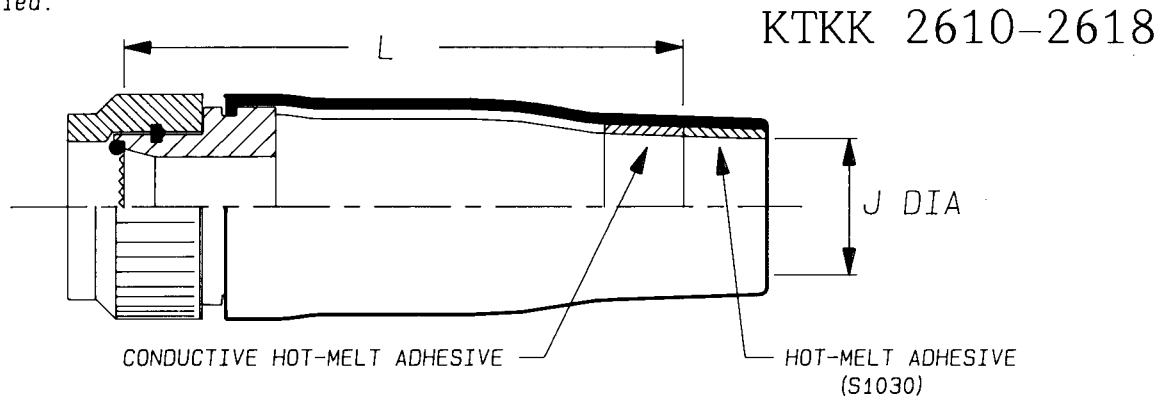
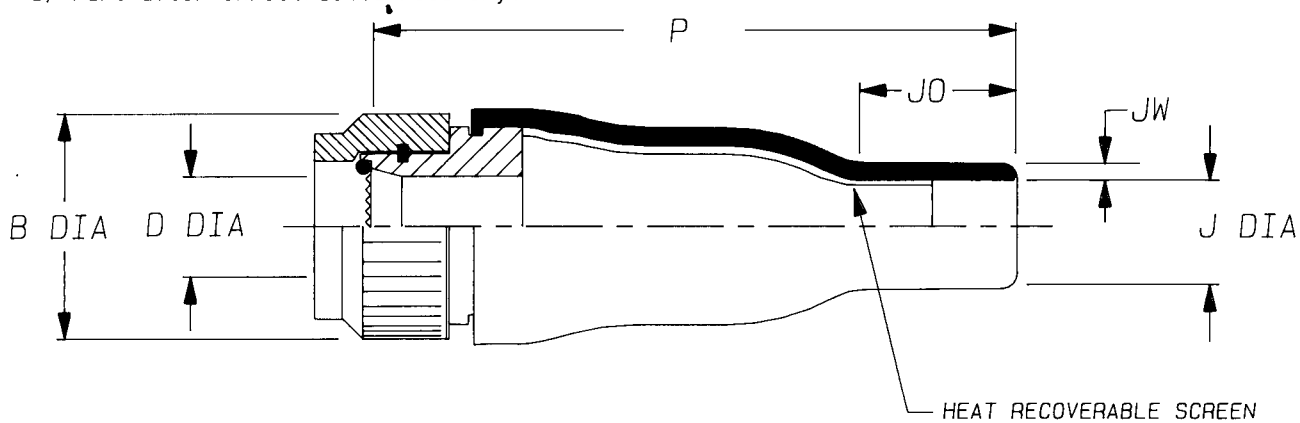


a) Part as supplied.



b) Part after unrestricted recovery.



Raychem connector code: - 40

Connector series: - MIL-C-38999 SERIES 3 & 4

Adaptor Series: - 208M7**-01-W**-K-NS

Moulded Part Material: - -100S

Kits to include cleaning tissue, 1 piece 100 grit emery cloth & packing piece.

Kit to be used in conjunction with installation guide for straight assemblies.

Dimensions (in millimetres.)

Part No.	SHELL SIZE	B	D	J		P	L	JO	JW
		DIA MAX	DIA MIN	MIN a	MAX b	±10% b	REF a	REF b	±30% b
KTKK 2610	A	19.2	6.2	7	5.0	57	51	15	1.0
KTKK 2611	B	21.7	9.3	9	6.0	72	66	17	1.0
KTKK 2612	C	25.5	12.9	11	7.2	84	78	20	1.0
KTKK 2613	D	29.3	14.1	11	7.2	84	78	20	1.0
KTKK 2614	E	31.9	18.8	17	8.5	97	88	25	1.0
KTKK 2615	F	35.7	18.8	17	8.5	97	88	25	1.0
KTKK 2616	G	38.2	23.6	21	10.0	122	110	30	1.2
KTKK 2617	H	42.0	23.6	21	10.0	122	110	30	1.2
KTKK 2618	J	44.6	30.9	29	15.8	147	132	30	1.5

Copyright (!)

Urheberrechte

The copyright in this drawing is the property of Raychem Ltd. The drawing is issued on condition that it is not copied, reproduced or disclosed to a third party, either in whole or in part without the prior written consent of Raychem Ltd.

Drawn A.LILLEY. Checked *DL* Issue 4 Date June 1995

Conforms to ISO Recommendations
3rd Angle Projection
Not to Scale

Approval
Design

MKTG.

Q.C.

