



LAYOUT SHOWN AS EXAMPLE

Keying Shown as example

CHARACTERISTICS

- Standard : Based on MIL-DTL-38999 Series III
- Shell Material : Stainless Steel
- Shell Plating : Passivated
- Insulator : Thermoplastic
- Contacts : Copper Alloy
- Seals & Grommet : Silicon Elastomer
- Contact Plating : Gold over copper Alloy 0.8µm minimum
- Durability : 500 Mating cycles
- Delivered with Souriau contacts and Accessories
- Temperature Range : -65°C to +200°C
- Salt Spray : 500 hours

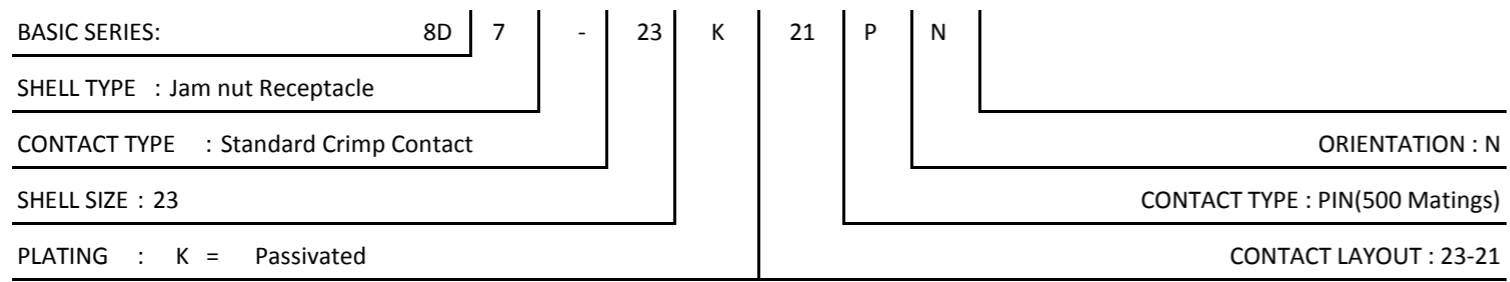
| Connector dimension | |
|---------------------|-----------------|
| Dim | Nominal |
| A | 55.6±0.3 |
| B | 39.67+0.1/-0.15 |
| R | 32.5Max |
| S | 52.4±0.4 |
| W | 3+0.9/-0.1 |
| VV THREAD | M34x1-6g |

SOURIAU shall not be liable for any non-conformity or damage due to a use of the Products which does not comply with the Specifications issued by either of the Parties or by a third party (professional recommendation, technical notice.)

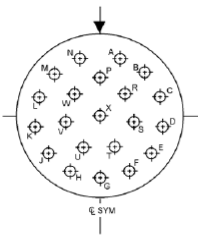
| | |
|---------|-----------------------------|
| Country | Jurisdiction & Control List |
| FR | Not Listed |

PN: 8D723K21PN

| | | | |
|----------------|---|--------------------------------|---|
| A | 30-09-2016 | First Release | |
| ISS | DATE | Latest modification - by | MOD N° |
| Designed By: | | Date: | CUSTOMER DRAWING |
| TITLE | Stainless Steel Receptacle 8D series | | |
| SCALE | NA | General linear Tolerances: ±-- | NPRDS / PROJECT 859 |
| SOURIAU | WWW.SOURIAU.COM | | This document is the property of SOURIAU it must not be reproduced or communicated without permission |
| FORMAT | A3 | | SOURIAU DRG N° 8D723K21PN-C |
| | | | SHEET 1/2 |



Contact Layout

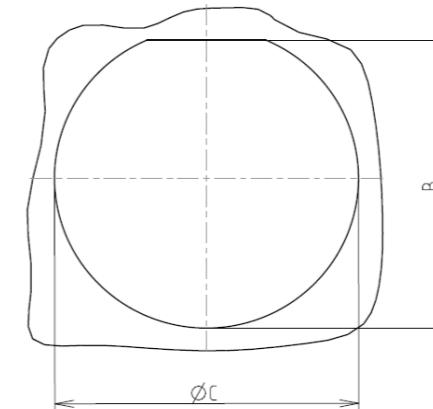


| Contacts (Insert arrangement 23-21) | | | | | |
|--|---------------|---------------|---------------------|--------------|--------------|
| Contact position ID | Location | | Contact position ID | Location | |
| | X-axis (mm) | Y-axis (mm) | | X-axis (mm) | Y-axis (mm) |
| A | +128 (3.25) | +385 (9.78) | M | -289 (7.34) | +285 (7.24) |
| B | +289 (7.34) | +285 (7.24) | N | -128 (3.25) | +385 (9.78) |
| C | +386 (9.80) | +123 (3.12) | P | +000 (0.00) | +245 (6.22) |
| D | +400 (10.16) | -.065 (1.65) | R | +160 (4.06) | +146 (3.71) |
| E | +328 (8.33) | -.239 (6.07) | S | +214 (5.44) | -.035 (0.89) |
| F | +183 (4.65) | -.362 (9.19) | T | +.094 (2.39) | -.194 (4.93) |
| G | +000 (0.00) | -.406 (10.31) | U | -.094 (2.39) | -.194 (4.93) |
| H | -.183 (4.65) | -.362 (9.19) | V | -.214 (5.44) | -.035 (0.89) |
| J | -.328 (8.33) | -.239 (6.07) | W | -.160 (4.06) | +146 (3.71) |
| K | -.400 (10.16) | -.065 (1.65) | X | +000 (0.00) | +000 (0.00) |
| L | -.386 (9.80) | +123 (3.12) | --- | --- | --- |

| Shell size | Arrangement no. | Number of contacts | Size contacts | Service rating | Contact location | Supersedes |
|------------|-----------------|--------------------|---------------|----------------|------------------|------------|
| 23 | -21 | 21 | 16 | II | All | MS20056-21 |

Panel cutout

JAM NUT RECEPTACLE (TYPE 7)



| Dim | Nominal |
|-----|---------------|
| B | 40.26+0/-0.25 |
| ØC | 41.53+0.25/-0 |

SOURIAU shall not be liable for any non-conformity or damage due to a use of the Products which does not comply with the Specifications issued by either of the Parties or by a third party (professional recommendation, technical notice.)

| Country | Jurisdiction & Control List |
|---------|-----------------------------|
| FR | Not Listed |

PN: 8D723K21PN

| | | | |
|----------------|---|----------------------------|---|
| A | 30-09-2016 | First Release | |
| ISS | DATE | Latest modification - by | MOD N° |
| Designed By: | | Date: | CUSTOMER DRAWING |
| TITLE | Stainless Steel Receptacle 8D series | | |
| SCALE | | General linear Tolerances: | NPRDS / PROJECT |
| NA | | ±-- | 859 |
| SOURIAU | WWW.SOURIAU.COM | | This document is the property of SOURIAU it must not be reproduced or communicated without permission |
| FORMAT | SOURIAU DRG N° 8D723K21PN-C | | SHEET 2/2 |