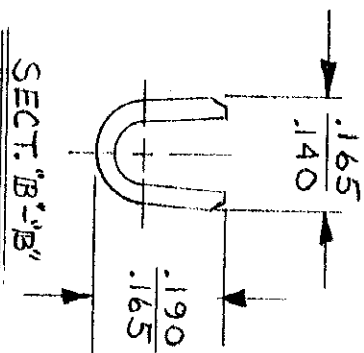
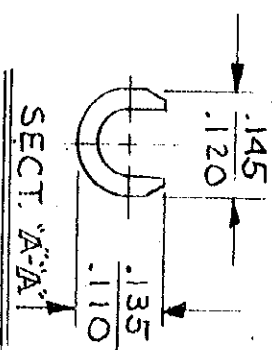
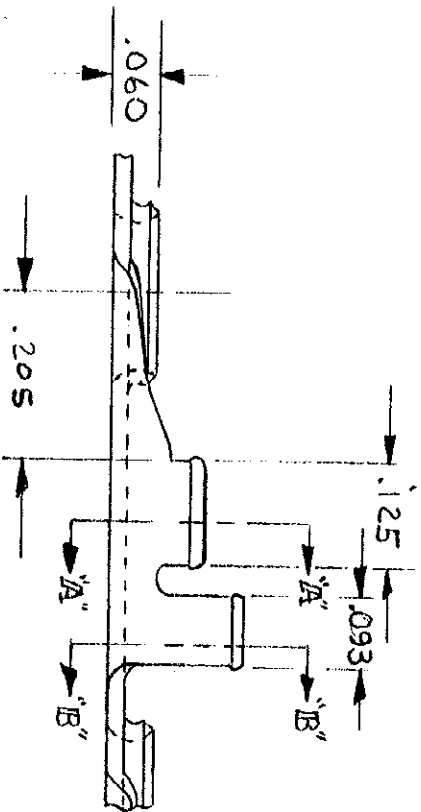
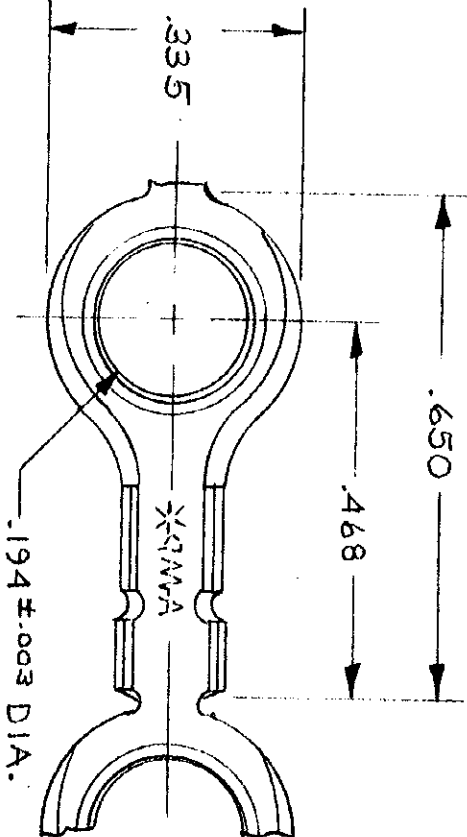


NUMBER
40894



CONTINUOUS STRIP ON REELS

TERMINAL NUMBER	MATERIAL	FINISH	FOREIGN PROD ONLY
40894	020 BRASS	TIN	FOREIGN PROD ONLY
40894-1	020 BRASS	PRE-TIN	FOREIGN PROD ONLY

DIMENSIONS IN INCHES. DO NOT SCALE PRINT.

REV	DATE	BY	CHK	DATE	
D	REV	AF-4774	TMS	6Y	5/16/69
C	CHG, 40894-1 ECU #F2261	L.O	6Y	3/26/69	
B	ADDED -1 ECU #F2261	SS	6Y	3/26/69	
A	205 WAS 218	SS	6Y	5/5/69	
	SEPARATED FROM 40893	WB	RF	7/28/69	
	REVISION RECORD	WB	RF	7/28/69	
	DR	7-27-69	DR	7-28-69	
	CHK	W.BANKS	DR	7-28-69	

©1969 BY AMP INCORPORATED. ALL RIGHTS RESERVED. AMP PRODUCTS COVERED BY PATENTS AND/OR PATENTS PENDING. MATERIAL AND FINISH

SEE TABLE



AMP INCORPORATED
MILWAUKEE, WIS.

CUSTOMER COPY
REFERENCE ONLY

WIRE RANGE - INSULATION	TYPE	LOC	NO	REV
20 - 18 1075/110	-#-	A	40894	D
TOLERANCE EXCEPT AS NOTED ± .015	SCALE	RING - EXTRUDED		