

4

3

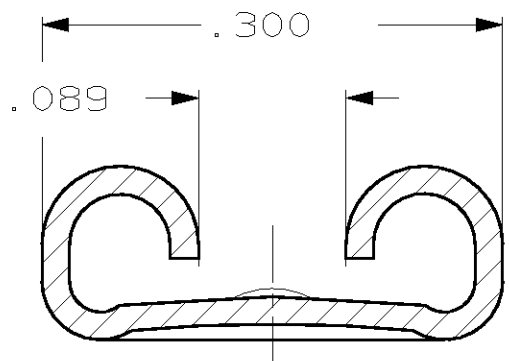
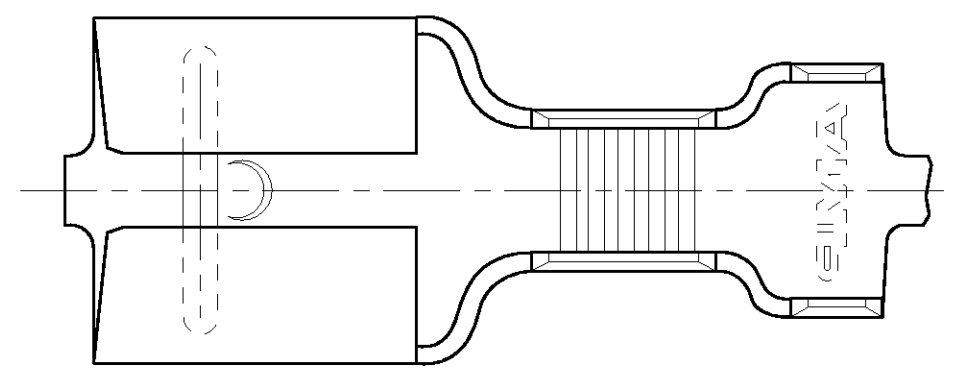
2

1

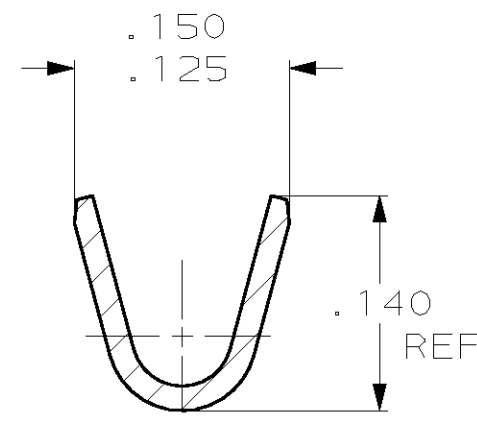
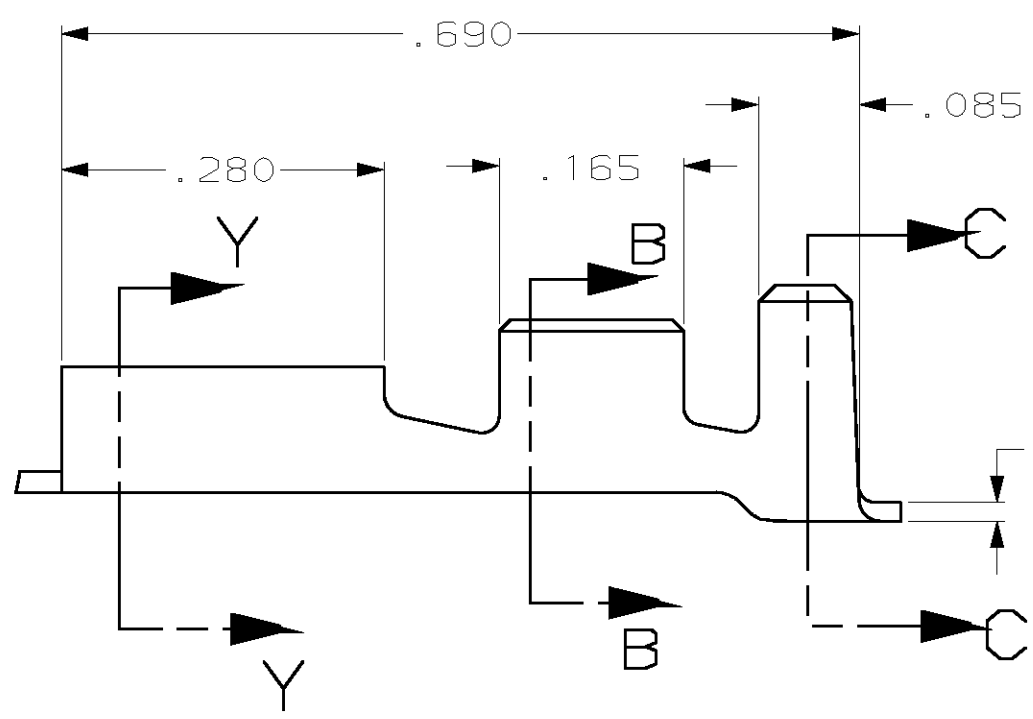
THIS DRAWING IS UNPUBLISHED. RELEASED FOR PUBLICATION ,19 .
 © COPYRIGHT 19 BY AMP INCORPORATED. ALL RIGHTS RESERVED.

LOC	DIST	REVISIONS			
P	LTR	DESCRIPTION	DATE	DWN	APVD
AF	50	B	REL PER 0G3A-0448-02	26JUL02	JR PD

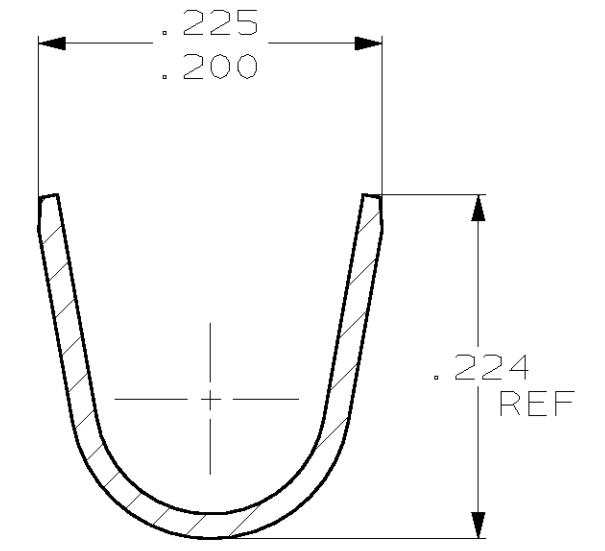
- 1 CONTINUOUS STRIP ON REELS
- 2 MATING TAB THK IS .032±.001
- 3 WIRE SIZE IS 18-14 OR TWO #19'S.
- 4 INSULATION RANGE IS .120-.170 DIA.



SECTION Y-Y
SCALE 8:1



SECTION B-B
SCALE 8:1



SECTION C-C
SCALE 8:1

1217835-1
PART NO.

THIS DRAWING IS A CONTROLLED DOCUMENT.		DWN JR RUTH 10MAY02	AMP Incorporated Harrisburg, PA 17105-3608	
DIMENSIONS: INCHES 		CHK P DESANTIS 10MAY02		
TOLERANCES UNLESS OTHERWISE SPECIFIED: 0 PLC ±- 1 PLC ±- 2 PLC ±- 3 PLC ±.010 4 PLC ±- ANGLES ±-		APVD P DESANTIS 10MAY02	NAME RECEPTACLE, FASTON, AMPLIVAR, 250 SERIES	
MATERIAL H04 BRASS		PRODUCT SPEC -	APPLICATION SPEC -	RESTRICTED TO -
FINISH -		WEIGHT -	SIZE A3	CAGE CODE 00779
		CUSTOMER DRAWING	DRAWING NO C- 1217835	SCALE 6:1
			SHEET 1	OF 1
			REV B	