



PRODUCT NUMBER  
20020003-XXXXXXLF

20020003- [ ] [ ] [ ] [ ] [ ] [ ] [ ] LF

PITCH  
G: 5.00mm  
H: 5.08mm

POLES  
02: 2 POLES  
03: 3 POLES  
04: 4 POLES  
24: 24 POLES

LF : DENOTED RoHS COMPATIBLE

1 : STANDARD PRODUCT  
W/ BOX PACKING

SCREW CODE

CODE	SCREW TYPE	AVAILABILITY
A	-/+	ON REQUEST ONLY
B	-	STANDARD

ALL FLANGE SCREWS ARE ONLY AVAILABLE IN +/- COMBINATION SCREW TYPES.

PROPERTY TABLE			
FCI SERIES NAME		01-500	01-508
PITCH (mm)		5.00	5.08
VOLTAGE RATING (VAC)		300	300
CURRENT RATING (A)		12	12
APPLICABLE WIRE RANGE (AWG)	1-WIRE	12~24	12~24
	2-WIRE	18	18
WIRE CROSS SECTION (mm <sup>2</sup> )	SOLID	1-WIRE	2.5
		2-WIRE	1.0
	STRANDED	1-WIRE	2.5
		2-WIRE	1.5
OPENING CONTACT HOUSING(mm <sup>2</sup> )		2.6x3.2	2.6x3.2
WIRE STRIP LENGTH(mm)		7~8	7~8
TORQUE +/-10% (N-m/Lb-in)		0.57/5.0	0.57/5.0
SCREW		M3x0.5	M3x0.5
WITHSTANDING VOLTAGE (kV)		1.6	1.6
OPERATING TEMP. (°C)		-40~+115	-40~+115
POLES AVAILABLE		02~24	02~24
SAFETY CERTIFICATE			

HOUSING CODE

CODE	COLOR	AVAILABILITY
1	GREEN(RAL 6018/T)	STANDARD
2	BLACK	ON REQUEST ONLY
3	GREY(RAL 7004/P)	ON REQUEST ONLY
4	BLUE(RAL 5015/A)	ON REQUEST ONLY

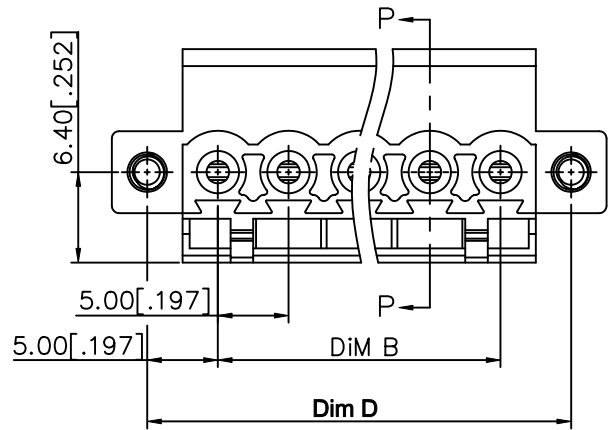
NOTES:

- MATERIALS  
1-1 HOUSING: THERMALPLASTIC RESIN, UL 94V-0 RATED.  
1-2 SCREW AND FLANGE SCREW: STEEL, ZINC PLATED.  
1-3 CLAMP: COPPER ALLOY, NICKEL PLATED.  
1-4 TERMINAL: COPPER ALLOY, TIN PLATED.
- PRODUCT SPECIFICATION REFER TO FCI GS-12-625.
- BOXED PACKAGING,  
DETAILED PRODUCT PACKING SPECIFICATION REFER TO FCI GS-14-1394.
- FCI, SAFETY CERTIFICATE LOGO AND SERIES NAME TO BE SHOWN ON PRODUCT SURFACE.
- THE PRODUCTS WHERE THE PART NUMBER END IN "LF" MEET THE EUROPEAN UNION DIRECTIVE AND OTHER COUNTRY REGULATIONS AS DESCRIBED IN GS-22-008.

mat'l. code		surface ASME Y14.5 ✓	tolerance ASME Y14.5	projection	product family
ltr		tolerances unless otherwise specified			TERMINAL BLOCK
A	T10-0062	WL	050710	MM INCH	title TERMINAL BLOCK PLUGGABLE, PLUG, SIGNAL, W/FLANGE CONTACT UP SIDE
B	T10-0127	WL	080910		
C	T10-0155	WL	093010	scale	
D	T10-0187	WL	121410	dr	WENDY CHEN 042310
E	T-004860	WL	080411	enr	JASON HSU 042310
				chr	GARY HSIEH 042310
				appd	JOSEPH HSIA 042310
sheet index	revision sheet	E	E	E	
		1	2	3	
dwg no		sheet 1 of 3		size	
		20020003		A4	
type		CUSTOMER Drawing			



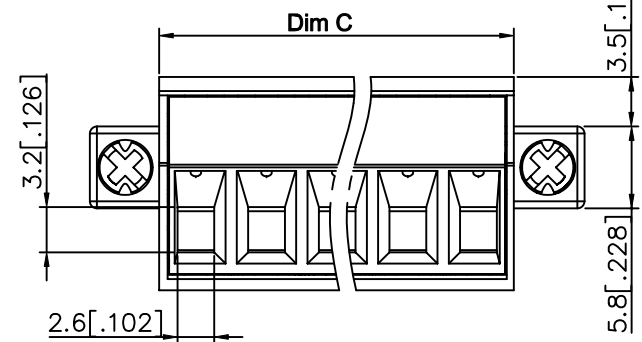
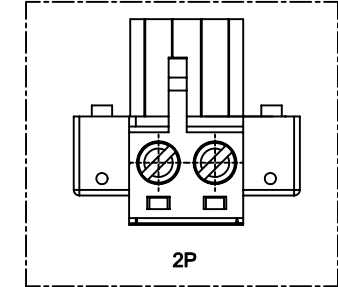
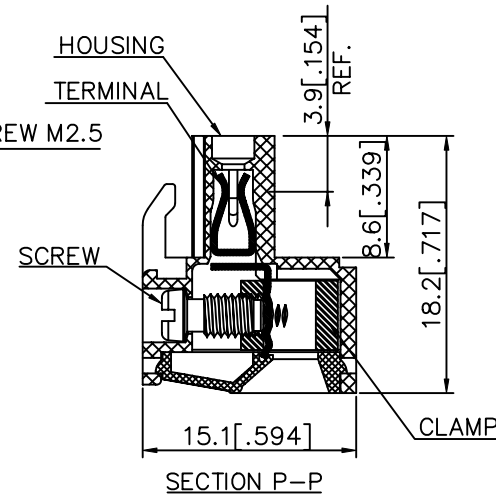
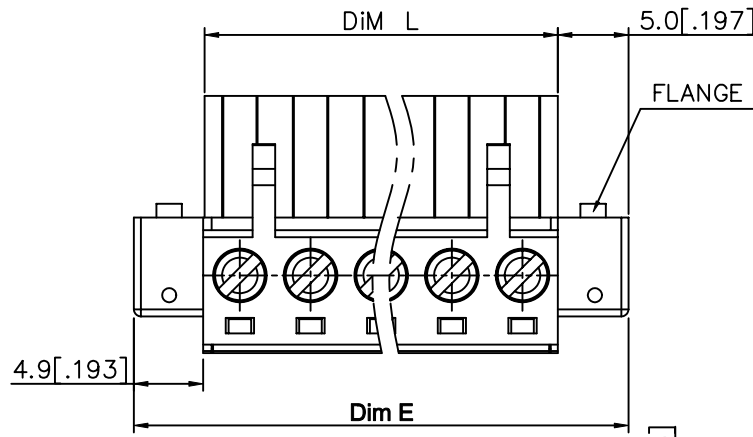
PRODUCT NUMBER	SERIES NAME	PITCH
20020003-GXXXXXL	01-500	5.00 mm



N= NUMBER OF POLES

Dim L	$N \times 5.0 [.197]$
Dim B	$(N-1) \times 5.0 [.197]$
Dim C	$N \times 5.0 [.197] + 0.10 [.004]$
Dim D	$(N+1) \times 5.0 [.197]$
Dim E	$(N+2) \times 5.0 [.197]$

Poles	Tolerance
2P-5P	$\pm 0.15 [.006]$
6P-10P	$\pm 0.20 [.008]$
11P-15P	$\pm 0.25 [.010]$
16P-20P	$\pm 0.30 [.012]$
21P-24P	$\pm 0.40 [.016]$



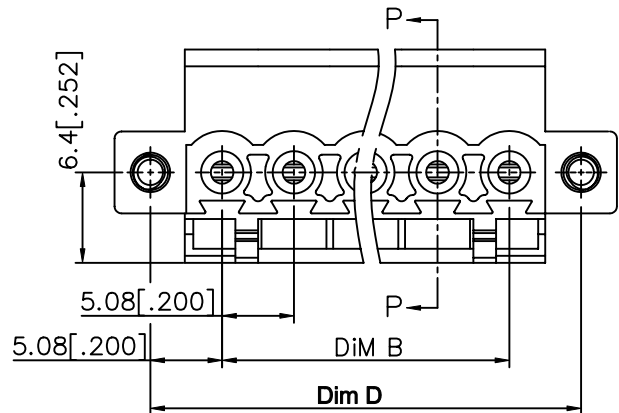
mat'l. code	surface ASME Y14.5 ✓	tolerance ASME Y14.5	projection MM INCH	product family TERMINAL BLOCK	
ltr	ecn	no	dr	date	title TERMINAL BLOCK PLUGGABLE, PLUG, SIGNAL, W/FLANGE CONTACT UP SIDE
E					scale
					dr
					enr
					chr
					appd
sheet index	revision sheet				



dwg no 20020003 sheet 2 of 3 size A4  
type CUSTOMER Drawing



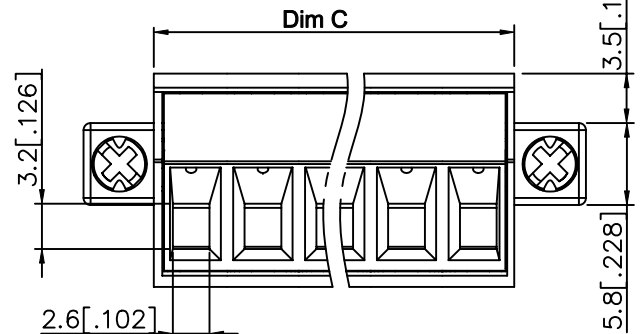
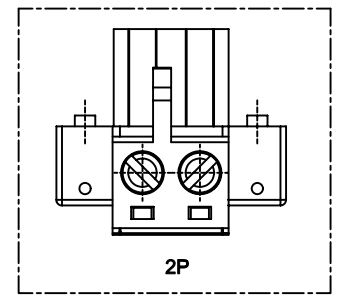
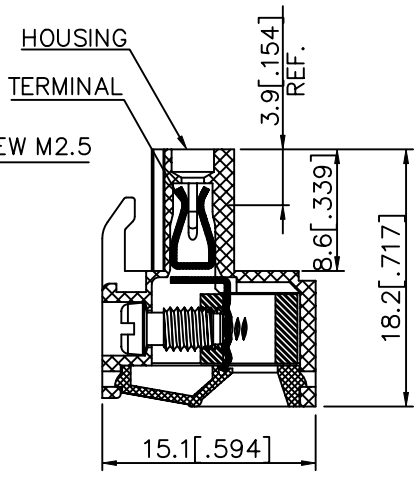
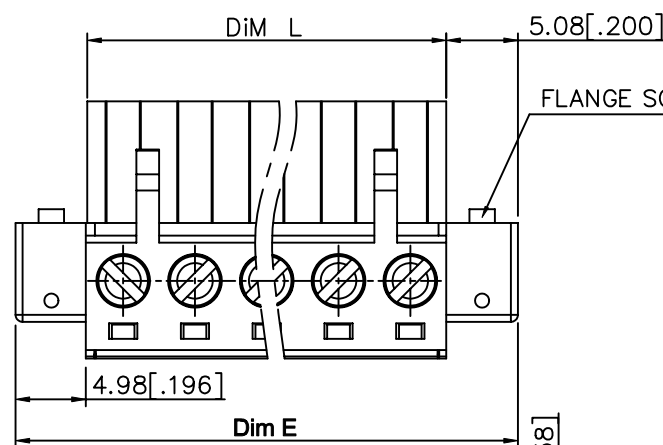
PRODUCT NUMBER	SERIES NAME	PITCH
20020003-HXXXXXL	01-508	5.08 mm



N= NUMBER OF POLES

Dim L	$N \times 5.08 [.200]$
Dim B	$(N-1) \times 5.08 [.200]$
Dim C	$N \times 5.08 [.200] + 0.10 [.004]$
Dim D	$(N+1) \times 5.08 [.200]$
Dim E	$(N+2) \times 5.08 [.200]$

Poles	Tolerance
2P-5P	$\pm 0.15 [.006]$
6P-10P	$\pm 0.20 [.008]$
11P-15P	$\pm 0.25 [.010]$
16P-20P	$\pm 0.30 [.012]$
21P-24P	$\pm 0.40 [.016]$



mat'l. code	surface ASME Y14.5	tolerance ASME Y14.5	projection 	product family TERMINAL BLOCK
ltr	ecn no	dr	date	title TERMINAL BLOCK PLUGGABLE, PLUG, SIGNAL, W/FLANGE CONTACT UP SIDE
E				dwg no 20020003
	angles linear	$X \pm 0.5 [.020]$	$X.X \pm 0.3 [.012]$	sheet 3 of 3 size A4
	$X \pm 1^\circ$	$X.XX \pm 0.1 [.004]$	scale MM INCH	type CUSTOMER Drawing
	dr	WENDY CHEN	042310	
	enr	JASON HSU	042310	
	chr	GARY HSIEH	042310	
	appd	JOSEPH HSIA	042310	
sheet index	revision sheet			

