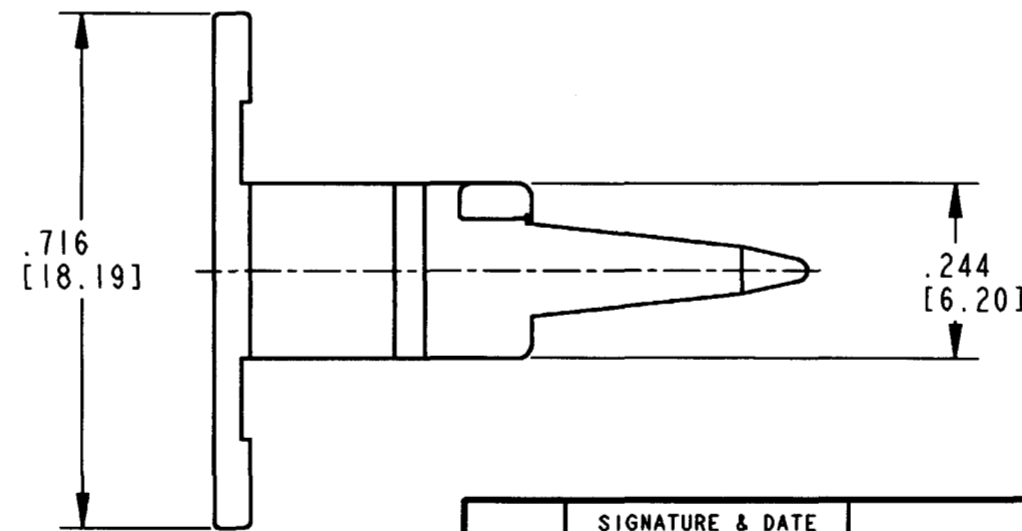
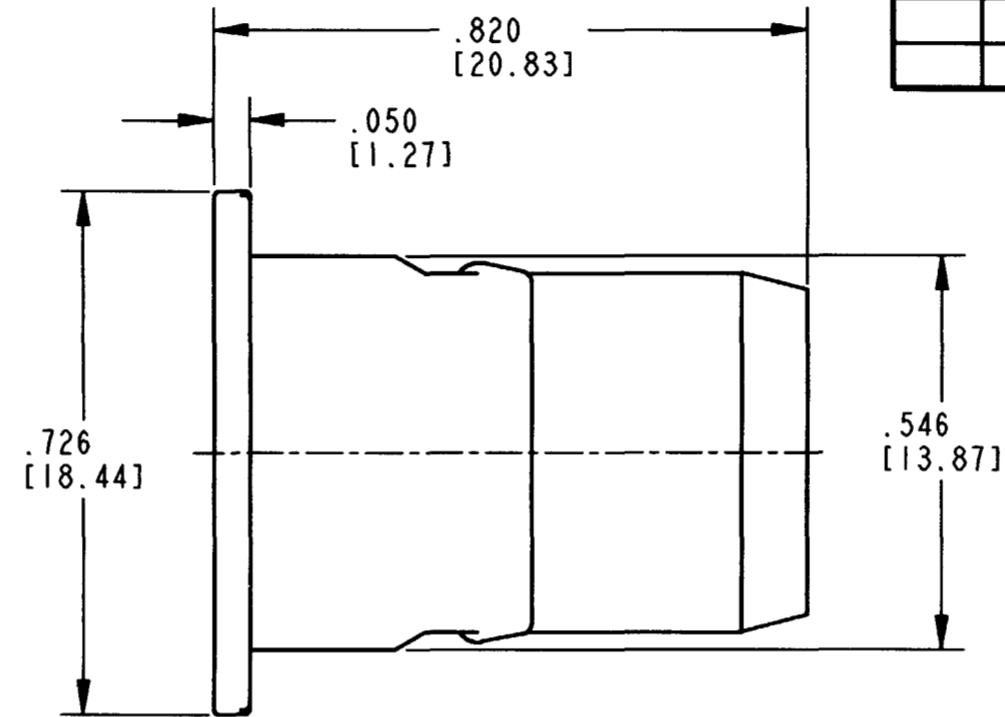
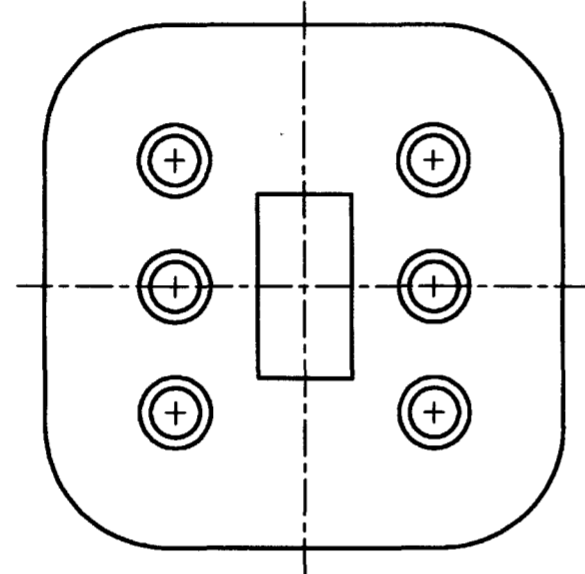


REV
A

W6S

REVISIONS

SYM	DESCRIPTION	DATE	APPROVED
NC	NEW RELEASE PER E.O. A09299	2/12/90	J.A.
A	REVISED PER E.O. P17509	1/28-01	RDR



- 4. W6S WEDGE USED WITH DT06-6S PLUG.
- 3. CONSULT FACTORY FOR APPLICATION.
- 2. DIMENSIONS ARE $\pm .025$ [.64] UNLESS OTHERWISE SPECIFIED.

NOTES: 1. ALL DIMENSIONS ARE IN INCHES [MILLIMETERS].

SIGNATURE & DATE	
DR	X. SANCHEZ 07NOV01
CHK	<i>[Signature]</i> 11/26/01
PE	<i>[Signature]</i> 11/26/01
APPD	<i>[Signature]</i> 11-14-01
SCALE	NONE WT _____

WEDGE LOCK
FOR
6 WAY PLUG
COLOR; ORANGE
DT SERIES

ENVELOPE

CP	MATL. CODE
The Deutsch Company DEUTSCH I.P.D. 3850 INDUSTRIAL AVE. HEMET, CALIF. 92545	
B	W6S
DWG SIZE	CODE 11139 SHEET OF