

SERIES

NO.OF CONTACTS

09,15,25,37

TYPE OF CONTACTS

P-PIN

TYPE OF TERMINATION

33-ANGLED SPILL

PITCH 2.84 USA

FOOT PRINT 8.08 USA

HEIGHT OF TERMINATION

E-2.00mm COMPATIBLE FOR 1.6mm PCB

RoHS INFORMATIONS

"This LF product meets European Union Directives and other country regulations as described in GS-22-008"

The housing will withstand exposure to 260°C peak temperature for 30 seconds in a convection,infra-red or vapor reflow oven solder application.

Packaging as per GS-14-920

PRODUCT SPECIFICATION

See :- GS-12-433

PACKAGING SPECIFICATION

See :- GS-14-1157

SEE NOTE RoHS

PACKAGING SPECIFICATION

09-TRAY PACKAGING

MOUNTING OPTIONS

RV->LIF METAL PEG+F.SCREW LOCK UNC 4 40+METAL BRACKET

RL->LIF METAL PEG+ INSERT M3+METAL BRACKET

RX->LIF METAL PEG+ INSERT UNC 4-40 +METAL BRACKET

PLATING

6-500 Mating/Un-mating performance

mat'l. code SEE.TECH.SPEC				surface ISO 1302 ✓		tolerance ISO 406 ISO 1101		projection 		product family DELTA-D			
ltr				ecn no		dr		date		tolerances unless otherwise specified		title	
A				107-0167		AS		2007-12-04		angles		linear	
B				107-0175		AS		2008-12-23		0°±1°		.00±0.1	
C				109-0162		AS		2009-08-19		.000±.00X		scale -	
				dr		ANISH.SALAM		2007-12-04				product family	
				enr		ANISH.SALAM		2009-08-19				title	
				chr		ANISH.SALAM		2009-08-19				DELTA-D A/S MALE PIP CONNECTOR	
				appd		BIJU.K.PAUL		2009-08-19				US VERSION	
sheet index		revision sheet		C		C						dwg no	
1		2										sheet 1 of 2	
												size	
												A3	
												type	
												Product Customer Drawing	

1

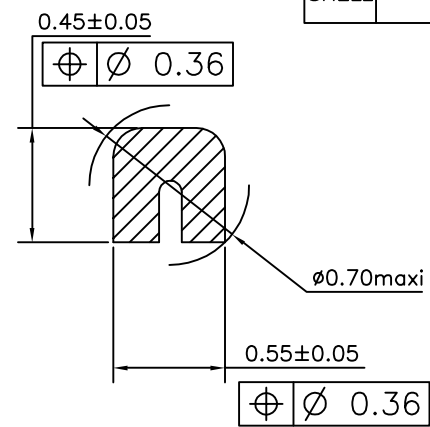
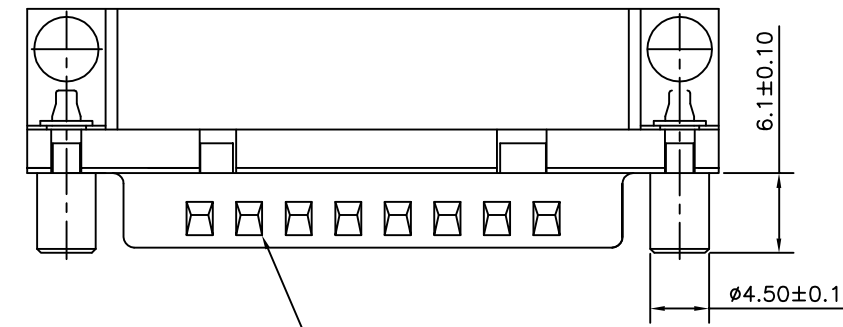
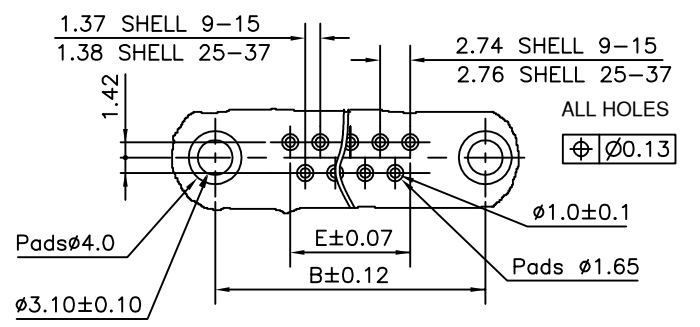
2 3

4

5

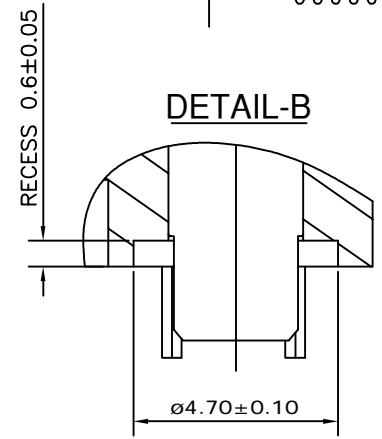
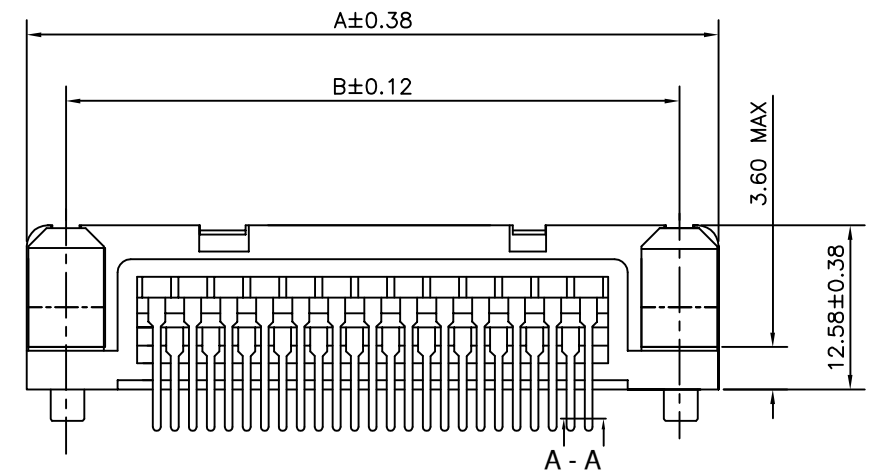
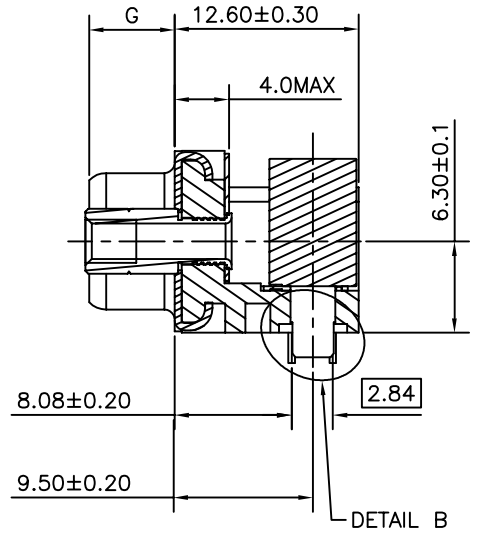
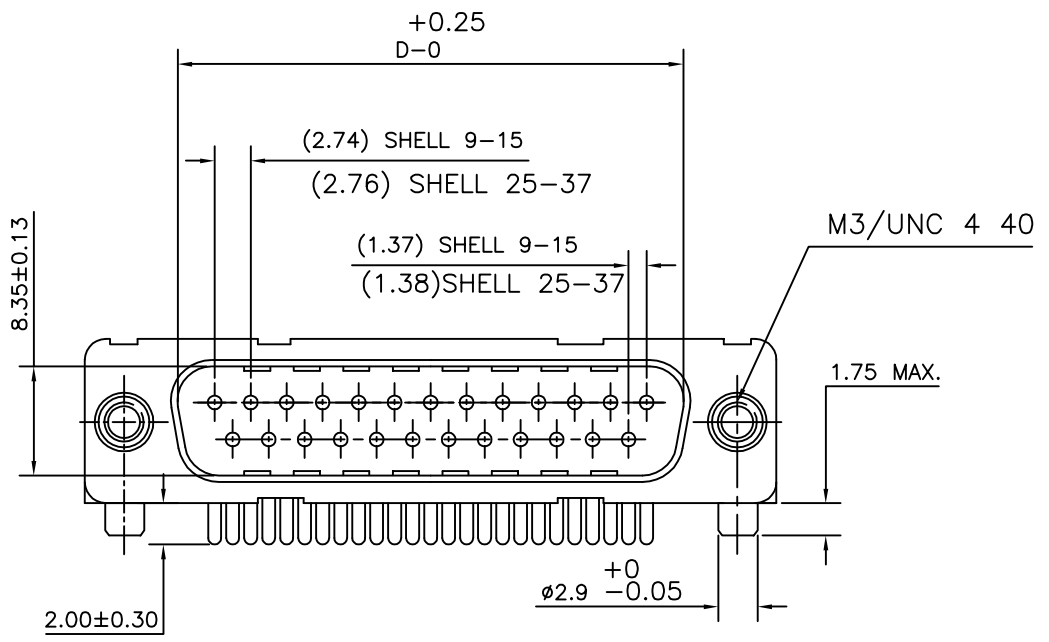
6

37	69.32	63.50	55.30	49.68	5.70 ^{+0.25} ₋₀
25	53.03	47.04	38.84	33.12	5.70 ^{+0.25} ₋₀
15	39.14	33.32	25.12	19.18	5.90 ^{+0.15} ₋₀
09	30.81	24.99	16.79	10.96	5.90 ^{+0.15} ₋₀
SHELL	A	B	D	E	G



PCB DRILLING & RECOMMENDED PAD DETAILS
(AFTER PLATING - THICKNESS 1.60MM)

SECTION A - A

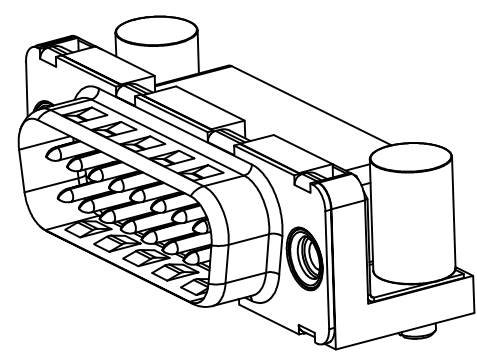
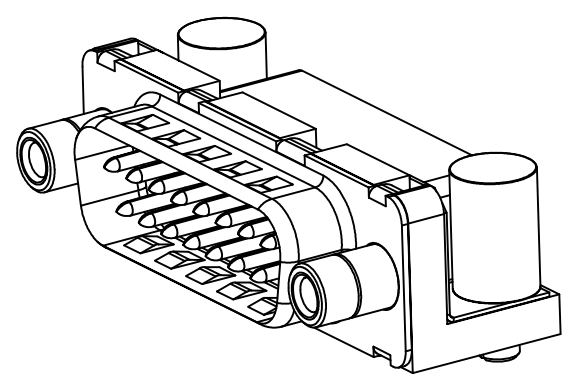


TRUE POSITIONING : Ø 0.36

ACCESSORIES DETAILS

RV VERSION

RX/RL VERSION



mat'l. code SEE.TECH.SPEC				surface ISO 1302 ✓		tolerance ISO 406 ISO 1101		projection MM		product family DELTA-D	
ltr				ecn no		dr		date		title DELTA-D A/S MALE PIP CONNECTOR US VERSION	
A				107-0167		AS		2007-12-04		angles	
B				107-0175		AS		2008-12-23		linear	
C				109-0162		AS		2009-08-19		0°±1°	
										.00±0.1	
										.000±.00X	
										scale -	
										dr	
										ANISH.SALAM	
										2007-12-04	
										engr	
										ANISH.SALAM	
										2009-08-19	
										chr	
										ANISH.SALAM	
										2009-08-19	
										appd	
										BIJU.K.PAUL	
										2009-08-19	
sheet		revision		C		C				dwg no	
index		sheet		1		2				sheet 2 of 2	
										size	
										A3	
										type	
										Product Customer Drawing	



Copyright FCI