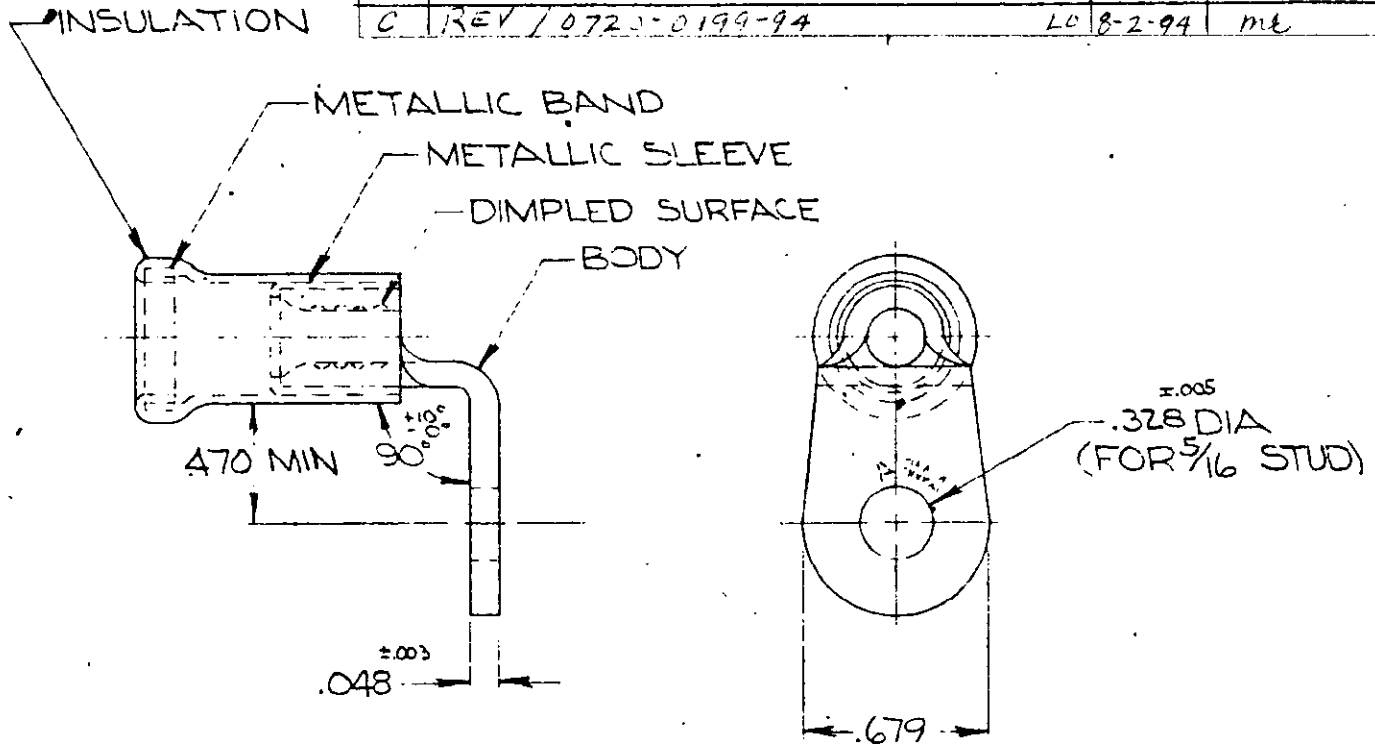


© 1955 BY AMP INCORPORATED. ALL RIGHTS RESERVED. AMP PRODUCTS COVERED BY PATENTS AND/OR PATENTS PENDING.

REVISIONS					
LTR	DESCRIPTION	DATE	APPROVED		
A	REDRAW & REVISED PC-5563	LE 1-5-70	JMC		
B	REV G-4680	TMS 5-5-88	JT		
C	REV / 072J-0199-94	LC 8-2-94	ML		



FOR .436 MAX WIRE INS. DIA

WIRE TERMINAL	322897	BODY: COPPER (QQ-C-576)	
		TINI PL (MIL-T-10727)	
		INSULATION: PVC COLOR: YELLOW	
		METALLIC SLEEVE: COPPER (QQ-C-576)	
METALLIC BAND: STEEL (ASTM A109)		QQ-S-698	
QTY	DESCRIPTION	PART NO.	MATERIAL & FINISH
UNLESS OTHERWISE SPECIFIED DIMENSIONS ARE IN INCHES		CONTRACT NO.	AMP INCORPORATED HARRISBURG, PENNSYLVANIA
TOLERANCES ON: DECIMALS ±.008 ANGLES ± 5°		DR. <i>J. Epler</i> 11-10-69	
MATERIAL	SEE TABLE	CHK <i>JM Ensminger</i> 1-5-70	NAME WIRE TERMINAL
		APPD <i>Livabel</i> 1-8-70	AMPLI-BOND-RING TONGUE-BENT 90°
		REL <i>JM Ensminger</i> 1-7-70	WIRE SIZE: #4
		DSGN APPD	SIZE A
OTHER APPD	SCALE	SHEET # OF #	