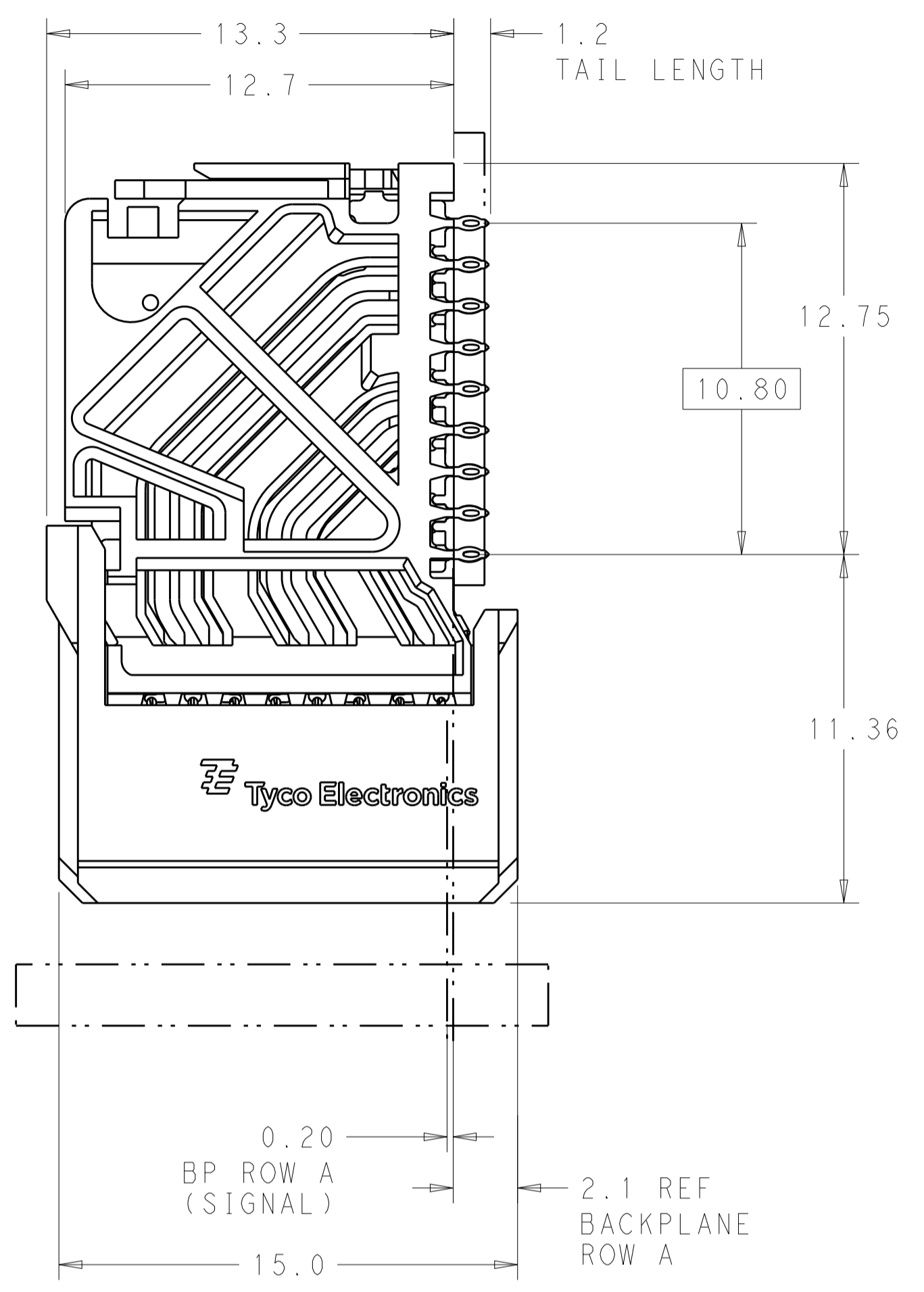
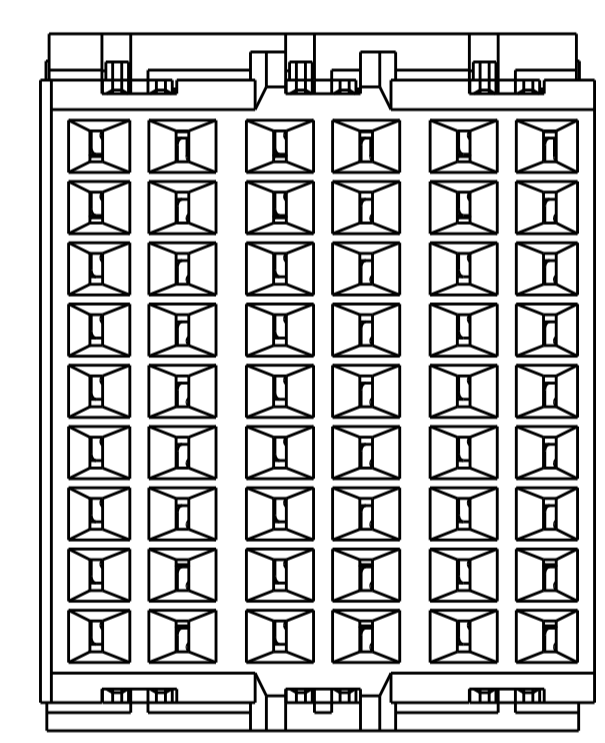
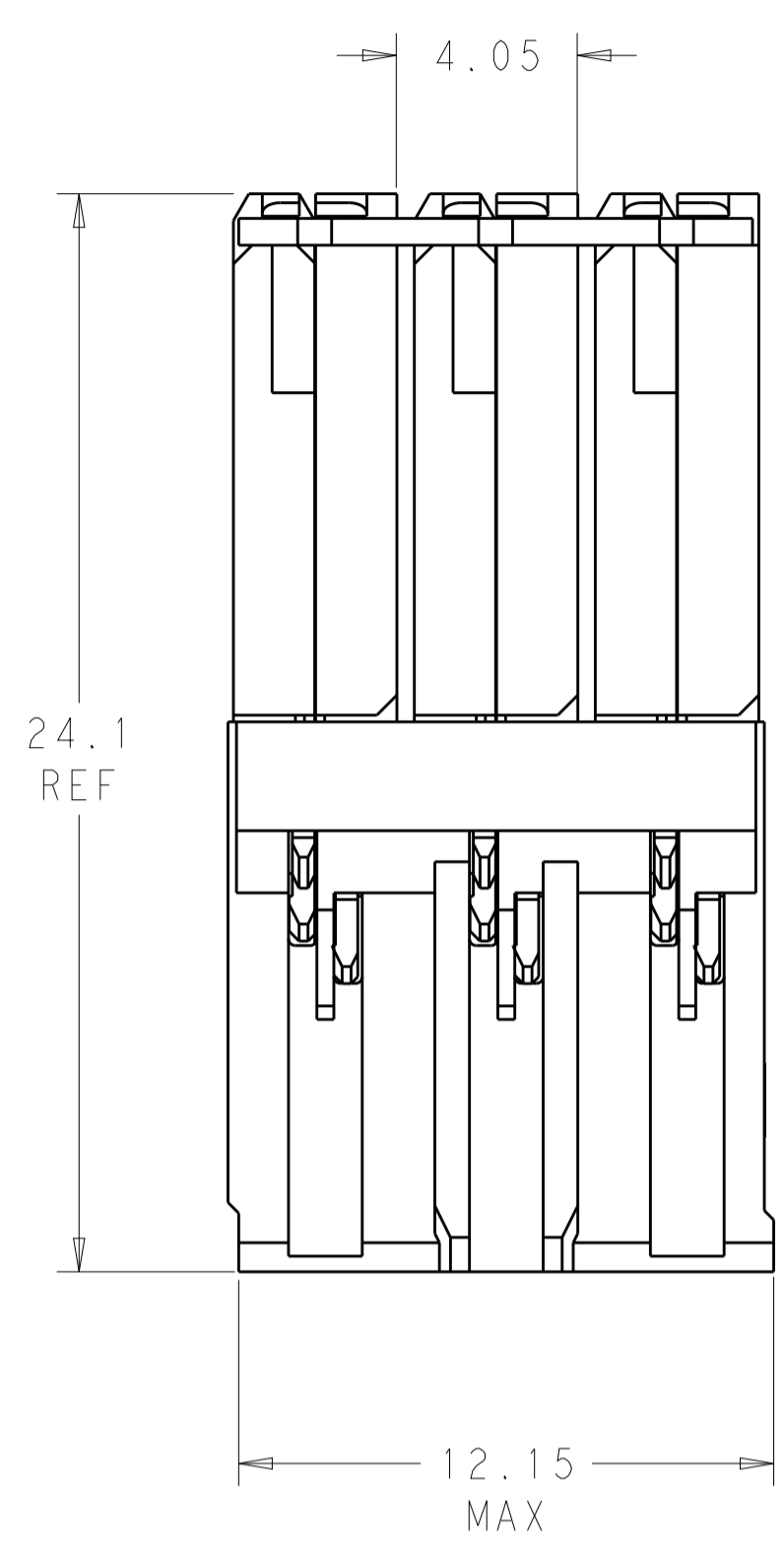
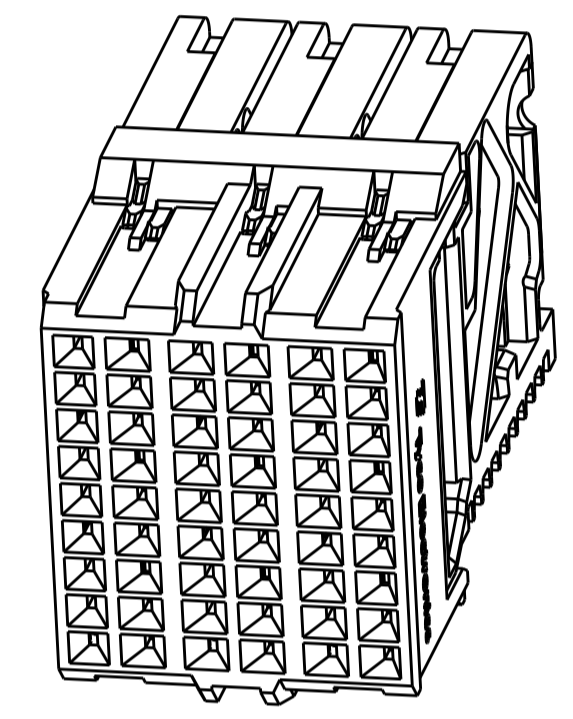


LOC		DIST		REVISIONS			
AD	00	P	LTN	DESCRIPTION	DATE	DWN	APVD
		A		REVISED PER ECO-15-003242	23MAR2015	AP	DD

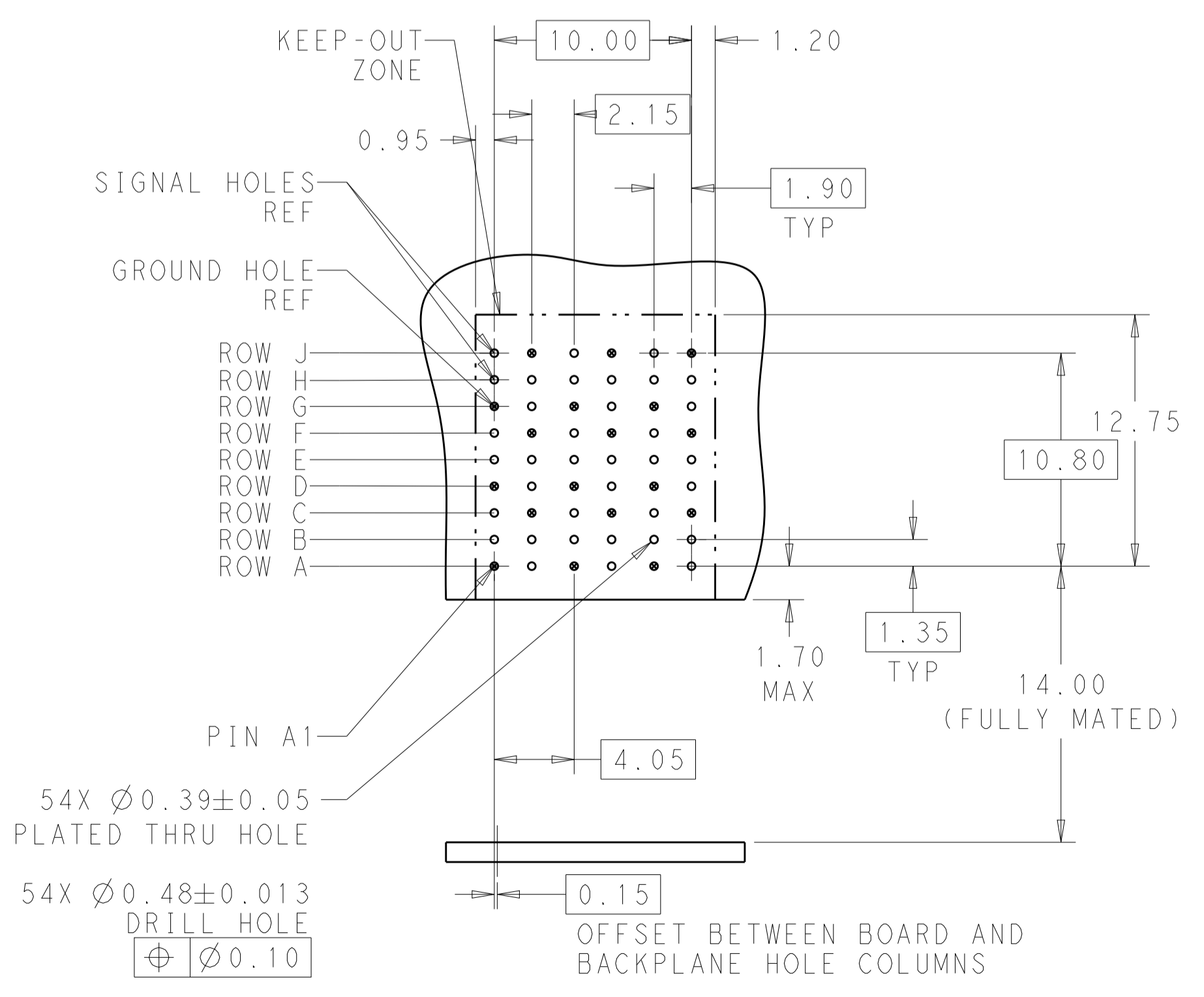


- 1 MATERIAL:
HOUSING: LCP, GLASS FILLED, UL94V-0.
TERMINALS: HIGH PERFORMANCE COPPER ALLOY.
- 2 FINISH:
30µ" SELECTIVE GOLD IN CONTACT AREA. SELECTIVE TIN ON PCB TAILS, NICKEL OVERALL.
- 3 FINISH:
30µ" SELECTIVE GOLD IN CONTACT AREA. SELECTIVE TIN-LEAD ON PCB TAILS, NICKEL OVERALL.



SCALE 4:1

REFER TO WWW.TE.COM FOR PRODUCT AVAILABILITY



54X Ø0.39±0.05 PLATED THRU HOLE
 54X Ø0.48±0.013 DRILL HOLE
 Ø0.10

RECOMMENDED PCB LAYOUT
 MIN BOARD THICKNESS 1.6

NONE	3	2132424-5
NONE	2	2132424-1
KEY POSITION	FINISH	PART NUMBER

THIS DRAWING IS A CONTROLLED DOCUMENT.		DWN	21JUN2011		IMPACT, ORTHOGONAL, 3 PAIR, DAUGHTERCARD, 6 COLUMN, NO GUIDE, SIGNAL MODULE, 0.39 EYELET
DIMENSIONS:		CHK	21JUN2011		
TOLERANCES UNLESS OTHERWISE SPECIFIED:		APVD	21JUN2011		
mm					
0 PLC ± 1 PLC ±0.25 2 PLC ±0.15 3 PLC ± 4 PLC ± ANGLES ±		NAME PRODUCT SPEC APPLICATION SPEC SIZE CAGE CODE DRAWING NO RESTRICTED TO			
MATERIAL		WEIGHT		A100779C=2132424	
SEE TABLE		Customer Drawing		SCALE 6:1 SHEET 1 OF 1 REV A	