

4

3

2

1

THIS DRAWING IS UNPUBLISHED.

RELEASED FOR PUBLICATION

20

© COPYRIGHT 20

BY TE

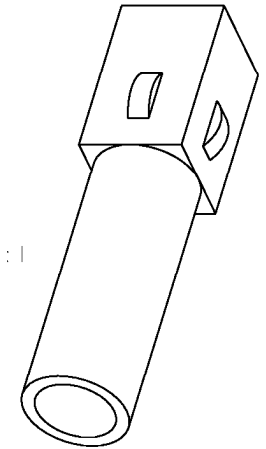
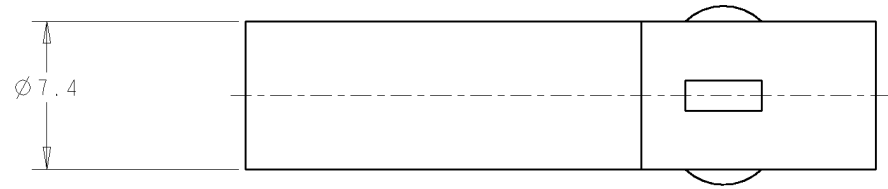
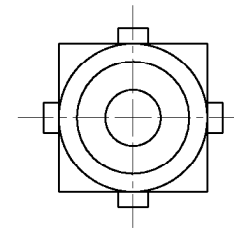
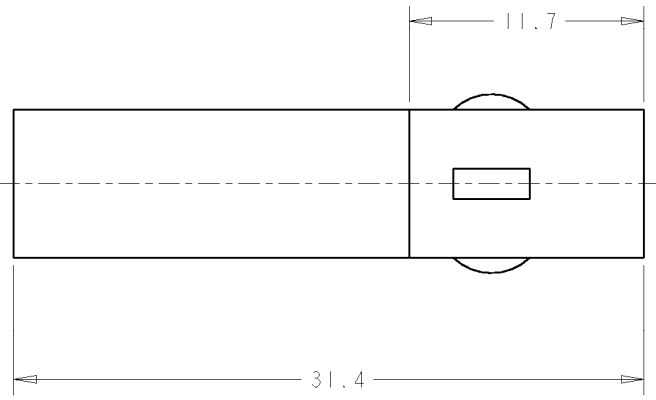
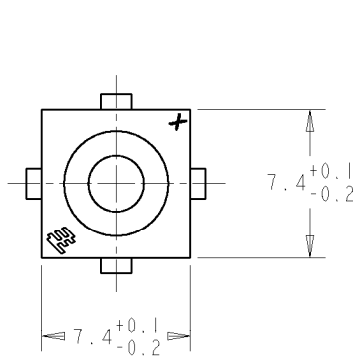
ALL RIGHTS RESERVED.

LOC  
AL

DIST  
2

REVISIONS

P	LTR	DESCRIPTION	DATE	DWN	APVD
A		RELEASED	24JUL2008	J.S.	L.B.
A1		ECR-13-003053	27FEB2013	MGT	R.P.



**⚠ MATERIAL CORRESPONDING TO THE REQUIREMENT OF IEC 60335-1 (INCL. GLOW WIRE TEST 750°C ,WITH OUT FLAME)**

<small>THIS DRAWING IS A CONTROLLED DOCUMENT FOR TE IT IS SUBJECT TO CHANGE AND THE CONTROLLING ENGINEERING ORGANIZATION SHOULD BE CONTACTED FOR THE LATEST REVISION.</small>		DWN J. Salo 24JUL2008
DIMENSIONS: mm		CHK L. Lazaro 24JUL2008
		APVD L. Rattilo 24JUL2008
TOLERANCES UNLESS OTHERWISE SPECIFIED: 0 PLC ± 0.4 1 PLC ± 0.4 2 PLC ± 0.4 3 PLC ± 0.4 4 PLC ± ANGLES ± 1.5°		NAME
MATERIAL SEE TABLE		PRODUCT SPEC
FINISH -		APPLICATION SPEC
WEIGHT -		SIZE
CUSTOMER DRAWING		CAGE CODE
DRAWING NO		DRAWING NO
RESTRICTED TO		RESTRICTED TO

1863011-1	A	PA 6 UL94 V2	NATURAL
PN	REV	MATERIAL	COLOUR



**SINGLE CIRCUIT UNIVERSAL MATE-N-LOK PLUG**

SIZE	CAGE CODE	DRAWING NO	RESTRICTED TO
A3	00779C	-1863011	-

SCALE	SHEET	OF	REV
4:1	1	1	A1