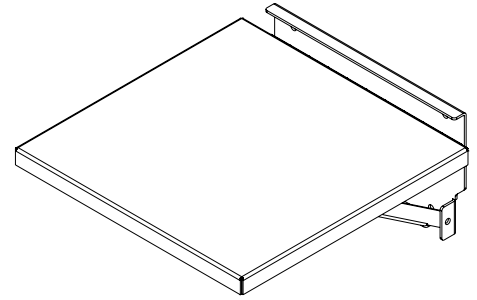


# PART No. FDS1212

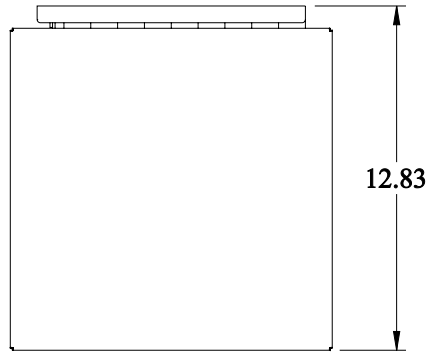
for more information visit  
[www.hammfg.com](http://www.hammfg.com)

Data subject to change without notice

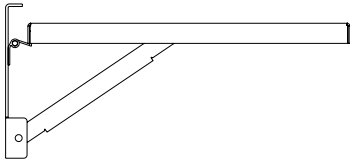
Isometric drawing Not to Scale



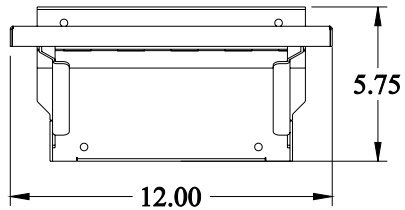
ISOMETRIC VIEW



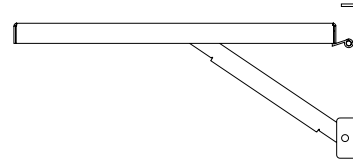
TOP VIEW



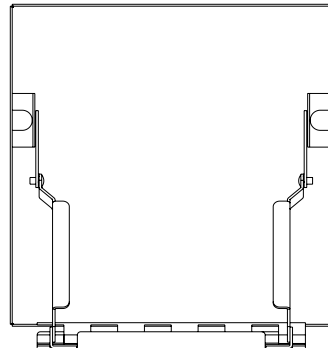
LEFT VIEW



FRONT VIEW



RIGHT VIEW



BOTTOM VIEW