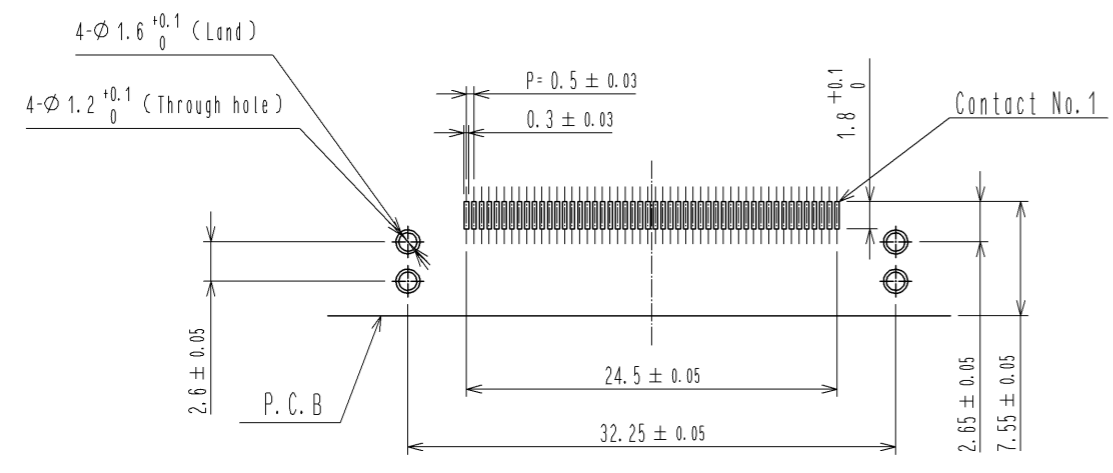


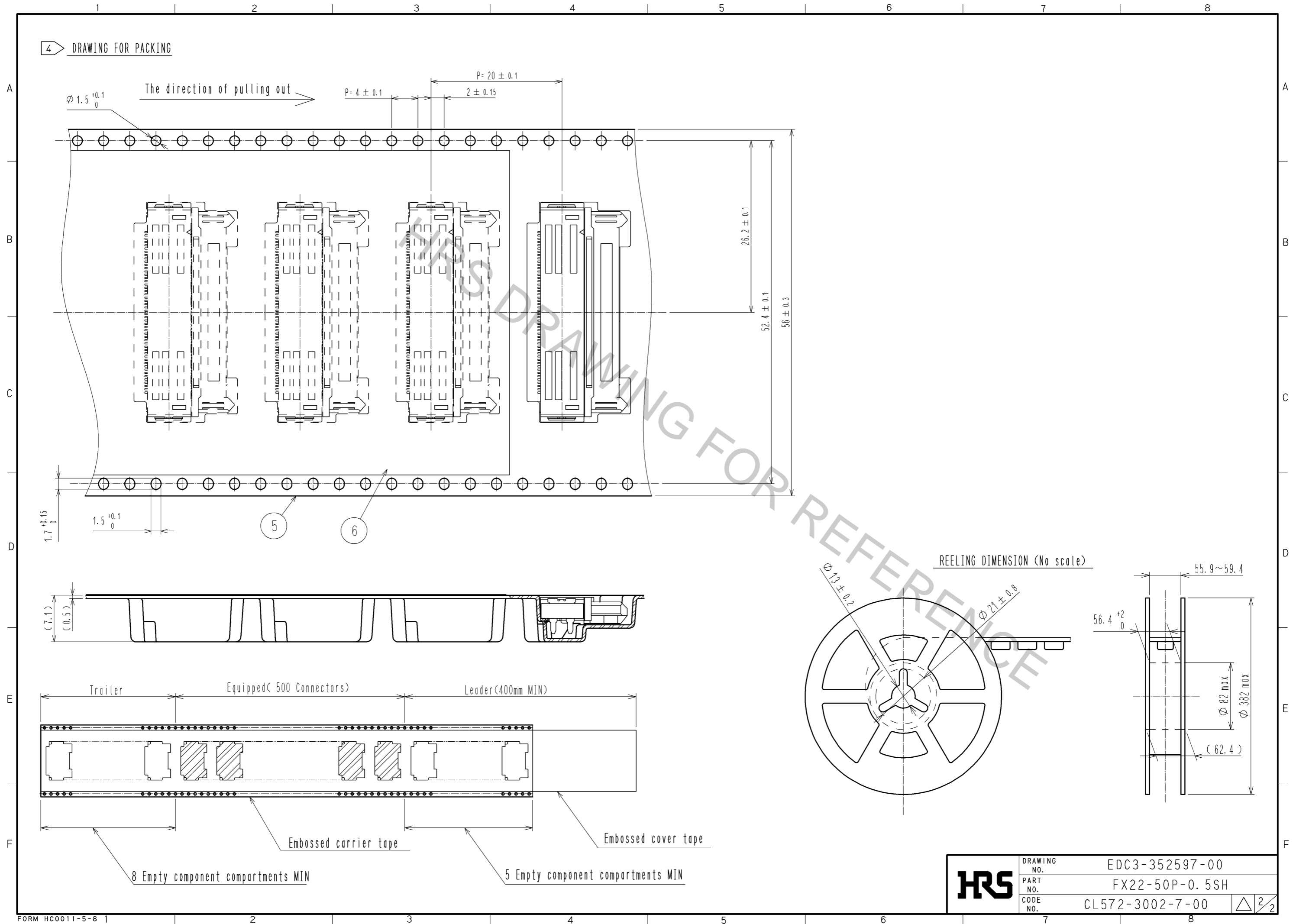
RECOMMENDED LAND PATTERN DIMENSION OF PCB
 (PCB THICKNESS: t=1.6mm METAL MASK THICKNESS: t=0.12mm)



- NOTE 1 Lead CO-Planarity is 0.1mm MAX.
 (2) Floating range of this connector is ±0.6mm MAX.
 (3) It shows the vacuum pickup area.
 (4) Packing for product applies embossed carrier tape packing. (500pcs/RL)
 5 Blemish and hit mark can be occurred through out the manufacturing process which doesn't affect quality level.
 6 The dimensions in parentheses are for references.

3	COPPER ALLOY	CONTACT AREA:GOLD 0.1 μm	6	POLYESTER	(EMBOSSSED COVER TAPE)
		LEAD AREA:GOLD 0.03 μm	5	POLYSTYRENE	(EMBOSSSED CARRIER TAPE)
		UNDER PLATING:NICKEL 1.3 μm	4	BRASS	TIN-PLATING 3 μm
2	POLYAMIDE	BLACK UL94V-0			UNDER PLATING:NICKEL 1 μm
1	POLYAMIDE	BLACK UL94V-0			
NO.	MATERIAL	FINISH . REMARKS	NO.	MATERIAL	FINISH . REMARKS
UNITS mm		SCALE 2 : 1	COUNT	DESCRIPTION OF REVISIONS	DESIGNED
HRS HIROSE ELECTRIC CO., LTD.		APPROVED : HS. OKAWA	14.07.07	DRAWING NO.	EDC3-352597-00
		CHECKED : KN. SHIBUYA	14.07.07	PART NO.	FX22-50P-0.5SH
		DESIGNED : AH. EDASHIGE	14.07.07	CODE NO.	CL572-3002-7-00
		DRAWN : AH. EDASHIGE	14.07.07		

4 DRAWING FOR PACKING



HRS	DRAWING NO.	EDC3-352597-00	\triangle 2/2
	PART NO.	FX22-50P-0.5SH	
	CODE NO.	CL572-3002-7-00	