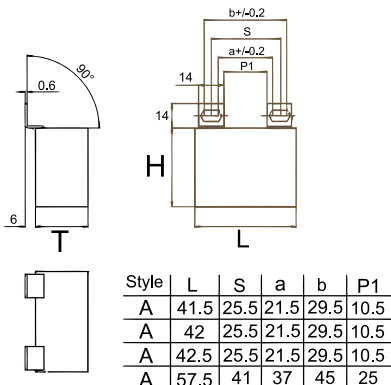


C4BS, Film, Metallized Polypropylene, Power, 2 uF, 5%, 630 VAC, 1200 VDC, 70C, Lead Spacing = 41mm



General Information	
Supplier:	KEMET
Series:	C4BS
Dielectric:	Metallized Polypropylene
Style:	Radial
Features:	IGBT Circuit
RoHS:	Yes
Lead:	Flat Tabs
AEC-Q200:	No
Miscellaneous:	Kemet Style A Tabs

Dimensions	
L	57.5mm NOM
H	45mm NOM
T	30mm NOM
S	41mm +/-0.2mm

Packaging Specifications	
Packaging:	Bulk, Bag
Packaging Quantity:	24

Specifications	
Capacitance:	2 uF
Capacitance Tolerance:	5%
Voltage AC:	630 VAC
Voltage DC:	1200 VDC
Temperature Range:	-40/+85C
Rated Temperature:	70C
Max dV/dt:	598 V/us
Resistance:	3.6 mOhms (100KHz)
Ripple Current:	29 Amps (100kHz 70C), 1195 Amps (Peak)
Inductance:	45 nH