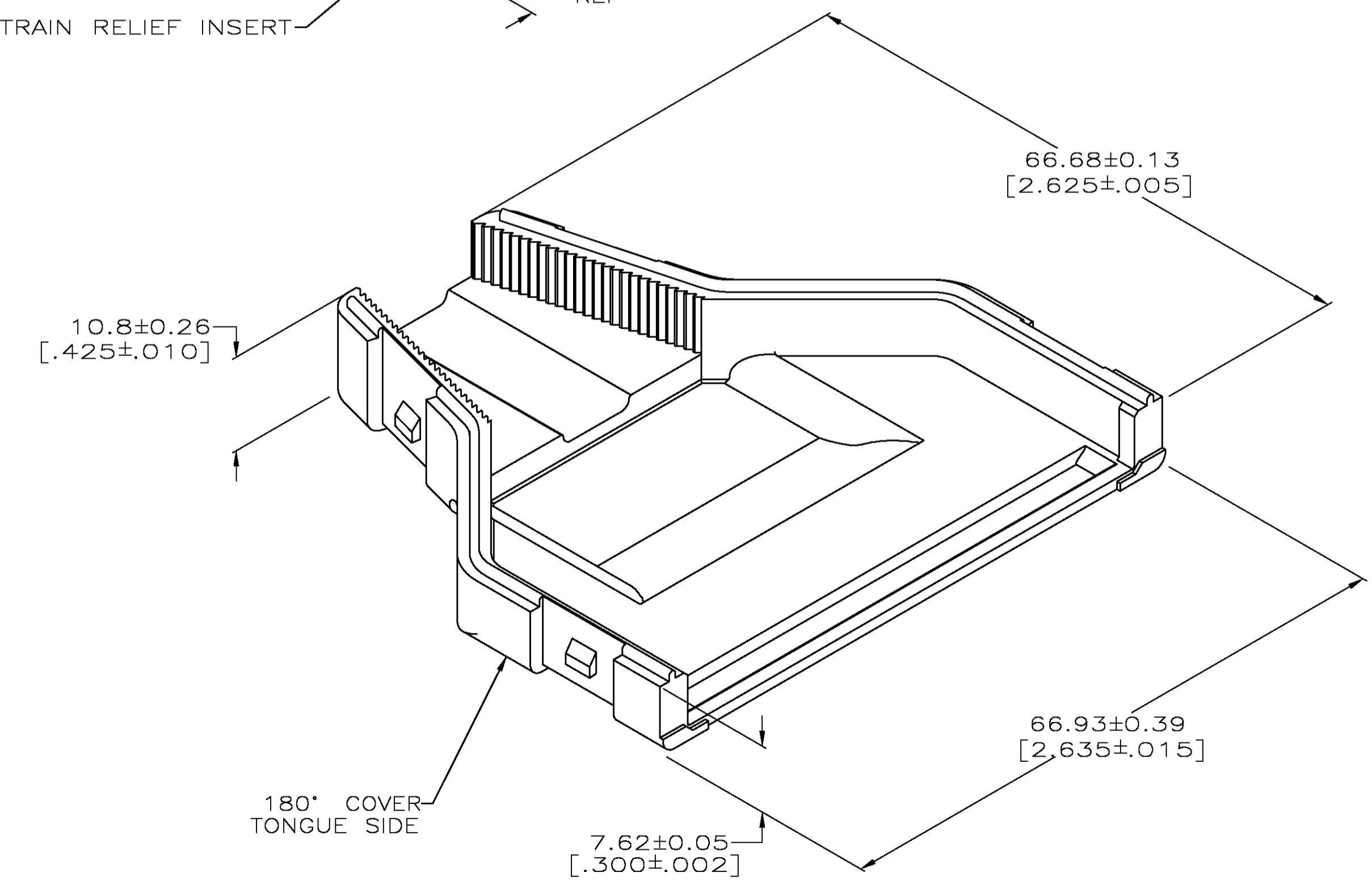
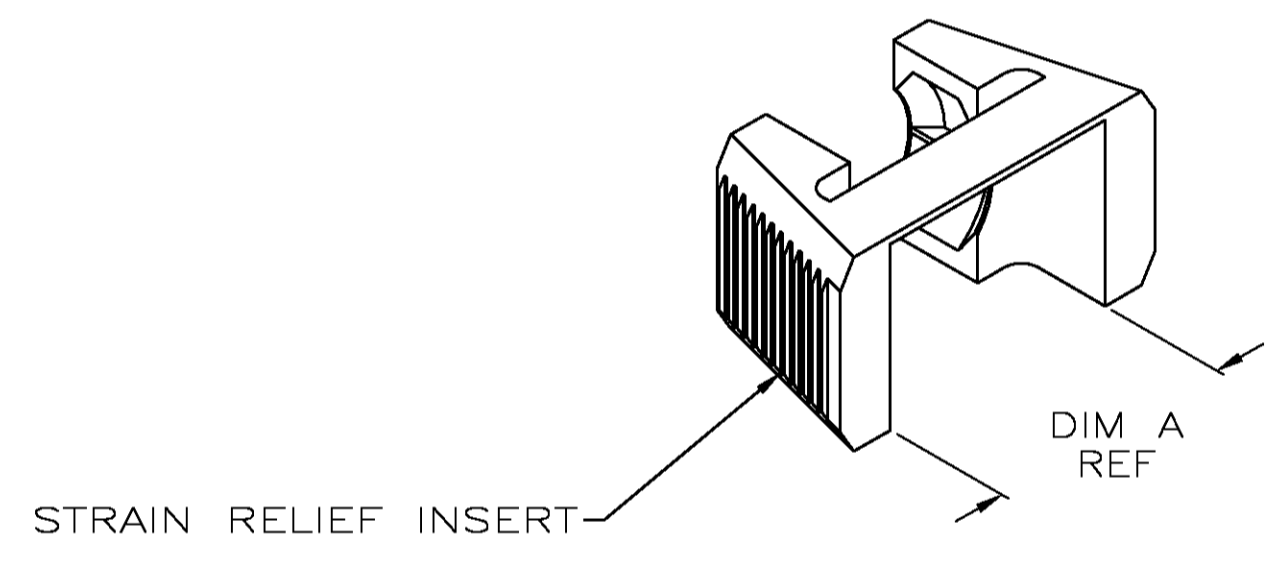
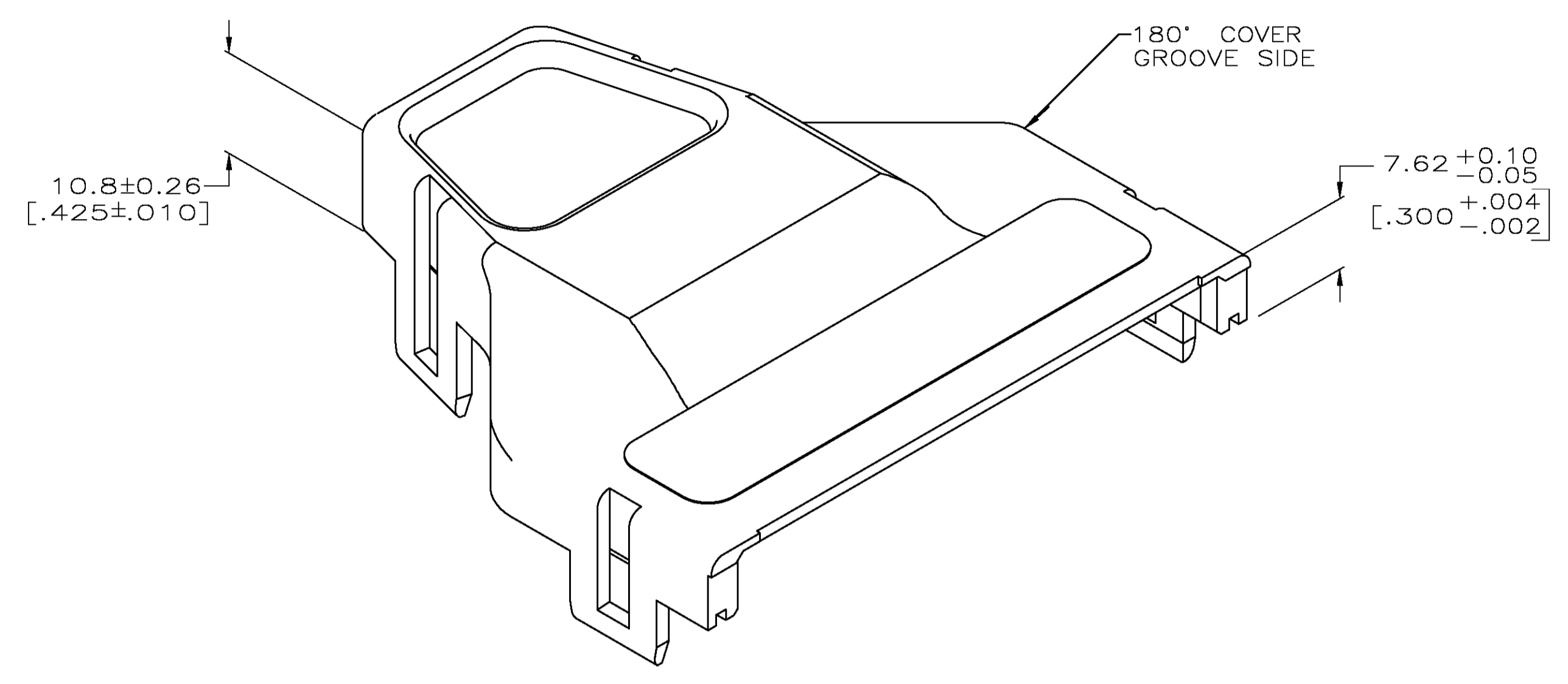


THIS DRAWING IS UNPUBLISHED. RELEASED FOR PUBLICATION .19  
 COPYRIGHT 19 BY AMP INCORPORATED. ALL RIGHTS RESERVED.

LOC		DIST		REVISIONS			
GP	00	REV	DATE	BY	CHK	APPD	
		E	10SEP04	JG	JG		
		E1	08JAN10	KK	AEG		



- 1. THIS KIT SHIPPED NOT ASSEMBLED.
- ⚠ MATERIAL: COVERS- POLYPHENYLENE OXIDE, SEE TABLE FOR COLOR.  
STRAIN RELIEF - POLYPROPYLENE, BLACK.
- ⚠ CABLE DIAMETER LESS THAN 12.7 [.500] SHALL USE 16.26 [.64] STRAIN RELIEF. CABLE DIAMETER GREATER THAN 12.7 [.500] SHALL USE 18.54 [.73] STRAIN RELIEF.
- ⚠ PACKAGED 1 KIT PER POLYBAG.
- ⚠ BULK PACKAGED 500 KITS PER CONTAINER.
- ⚠ OBSOLETE PARTS: OBSOLETE CIS STREAMLINING PER D.RENAUD/D.SINISI

COLOR	PACKAGED	DIM. A	CABLE RANGE DIA	PART NUMBER
⚠ OBSOLETE COMPAQ-GRAY	5	18.67 [.735]	8.89-15.88 [.350-.625]	5-554946-3
BLACK	6	16.13 [.635]	6.35-12.7 [.250-.500]	5-554946-1
BLACK	4	18.67 [.735]	8.89-15.88 [.350-.625]	554946-2
BLACK	4	16.13 [.635]	6.35-12.7 [.250-.500]	554946-1

<small>THIS DRAWING IS A CONTROLLED DOCUMENT FOR AMP PROPRIETARY. IT IS SUBJECT TO CHANGE AND THE COMPANY'S ENGINEERING ORGANIZATION SHOULD BE CONTACTED FOR THE LATEST VERSION.</small>		DWN L. SMITH 3-15-95 CHK D. HUSSEY 4-04-95 APVD M. HUGHES 4-04-95	AMP Incorporated Harrisburg, PA 17105-3608
DIMENSIONS: mm (INCHES)	TOLERANCES UNLESS OTHERWISE SPECIFIED: 0 PLC ± 1 PLC ± 2 PLC ± 3 PLC ± 4 PLC ± ANGLES ±	PRODUCT SPEC APPLICATION SPEC WEIGHT	NAME SIZE CASE CODE DRAWING NO CUSTOMER DRAWING
		NAME SIZE CASE CODE DRAWING NO CUSTOMER DRAWING	COVER KIT, 180 DEGREE, 50 POSITION, SHIELDED, CHAMP® A1 00779 C-554946 SCALE 2:1 SHEET 1 OF 1 REV E1