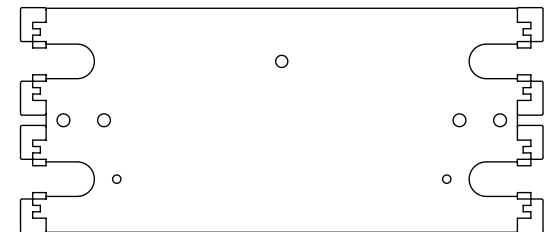
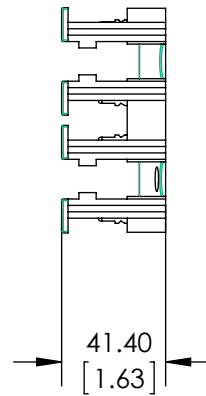
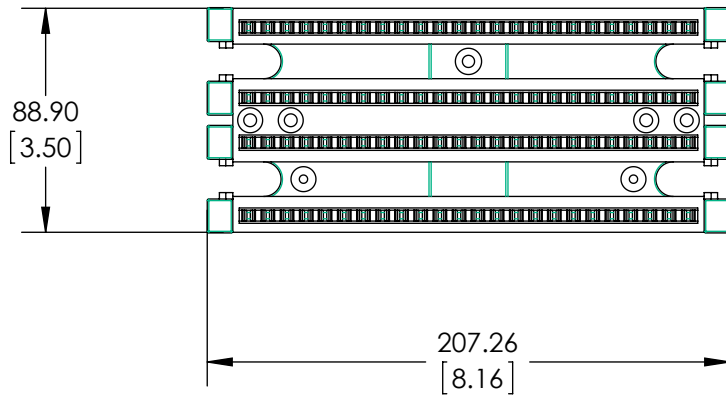
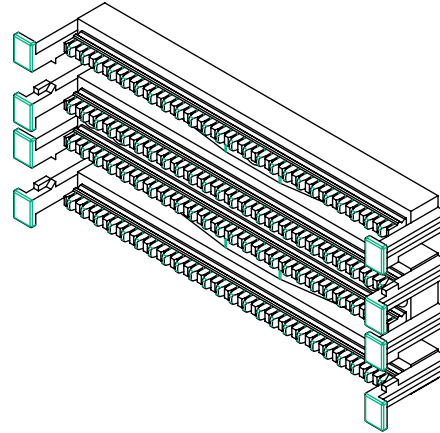
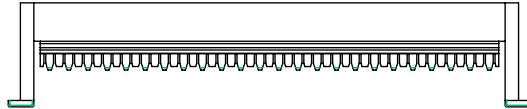


SW2014



Revision level			Revision Record	Changed	Date	Approved	Date
Drawing	State	Part					
00.0	Design Release		SEE ECN# 013472	GRW	6/17/2016	KAC	6/17/2016



Material  
POLYCARBONATE

Units: **millimeters**  
Dimension without tolerances details to:  
.XXX = ±.013  
.XX = ±.13  
.X = ±.3  
None = ±.8  
∠ = ±0.5°  
Dimension Formatted mm/[in]

The copyright of this drawing is reserved by HellermannTyton. It is issued on condition that it is not reproduced, copied, or disclosed to a third party, either wholly or in part, without the consent of HellermannTyton.

Drawn	GRW	6/16/2016
Approved	KAC	6/16/2016

**HellermannTyton**  
North America  
Email: corp@htamericas.com  
Web: www.hellermann.tyton.com

Article/Type-No 853-19227 / T110WB100  
Title **CAT5E 100 PAIR 110 WIRING BLOCK WITHOUT LEGS**  
Drawing-No PRODUCTION : Phase  
**16-1246-001-CSU**

Scale 1:1  
Project Number PRP 16-1246  
Format AH  
Sheet 1/1