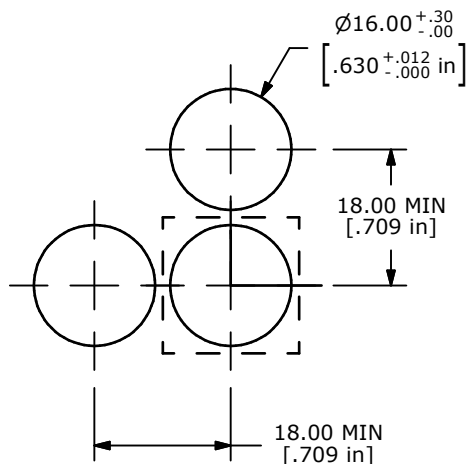
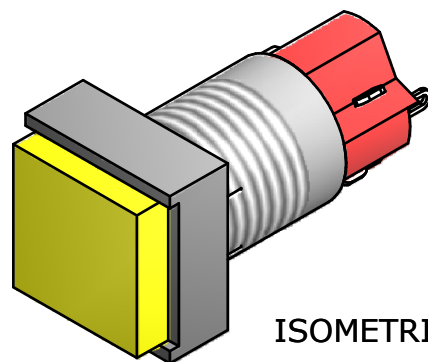


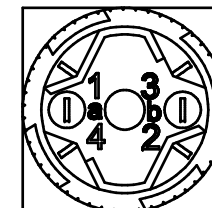
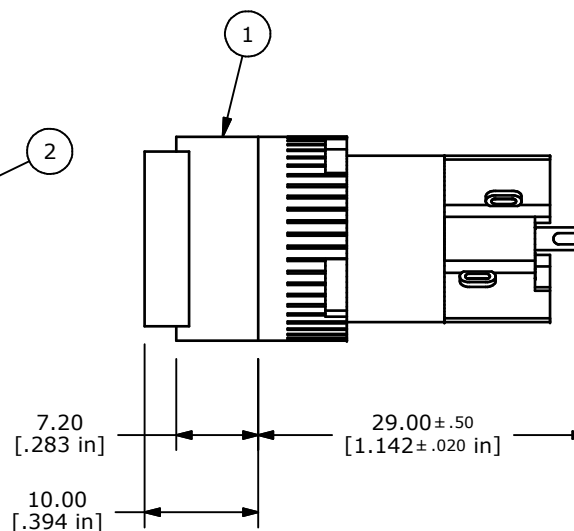
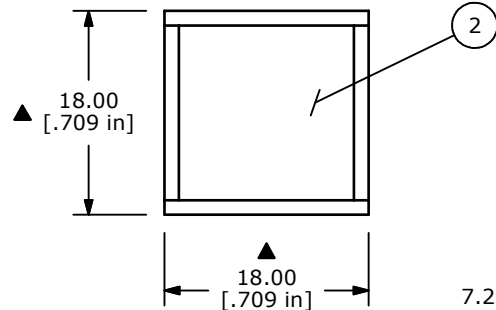
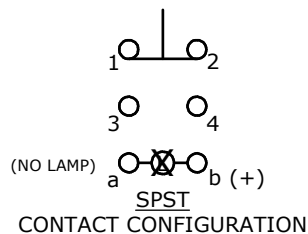
PARTS LIST			
ITEM	QTY	PART NUMBER	DESCRIPTION
1	1	F040005	D16EES11
2	1	F052316	50-003-16 OPAQUE YELLOW (FLAT TOP)



PANEL MOUNTING



ISOMETRIC



- NOTE:
- ALL DIMENSIONS IN MM [INCH]
 - GENERAL TOLERANCE: X.X=±0.4
X.XX=±0.25
 - TERMINAL NUMBERS FOR REF ONLY
 - RATING: 5A @250VAC
8A @125VAC
0.2A @250VDC
6A @24VDC
 - ELECTRICAL LIFE: >50,000 CYCLES
 - TRAVEL: 3.0MM FULL TRAVEL, 2.0MM LATCH
 - PANEL THICKNESS: 0.5 - 5 mm
 - SEALED TO IP40.
 - INSULATION RESISTANCE: 1,000 MEGA-OHM MIN.
 - OPERATING TEMP.: -25°C to 70°C
 - ▲ LAMP VOLTAGE: NONE
 - ▲ DENOTES CRITICAL PARAMETER.
 - PACKAGE: 20 PIECES PER BOX
 - 2002/95/EC (ROHS) COMPLIANT



A	18130	RELEASED FOR PRODUCTION	6/17/08	BLR
REV	PCR NO	DESCRIPTION	DATE	BY

TITLE D16EES110YEL				
SCALE	DATE	DR	DWG	REV
1.5:1	6/17/2008	BLR	XF0756P	A

THE INFORMATION CONTAINED IN THIS DOCUMENT IS PROPRIETARY TO E-SWITCH AND IS NOT TO BE COPIED OR TRANSFERRED