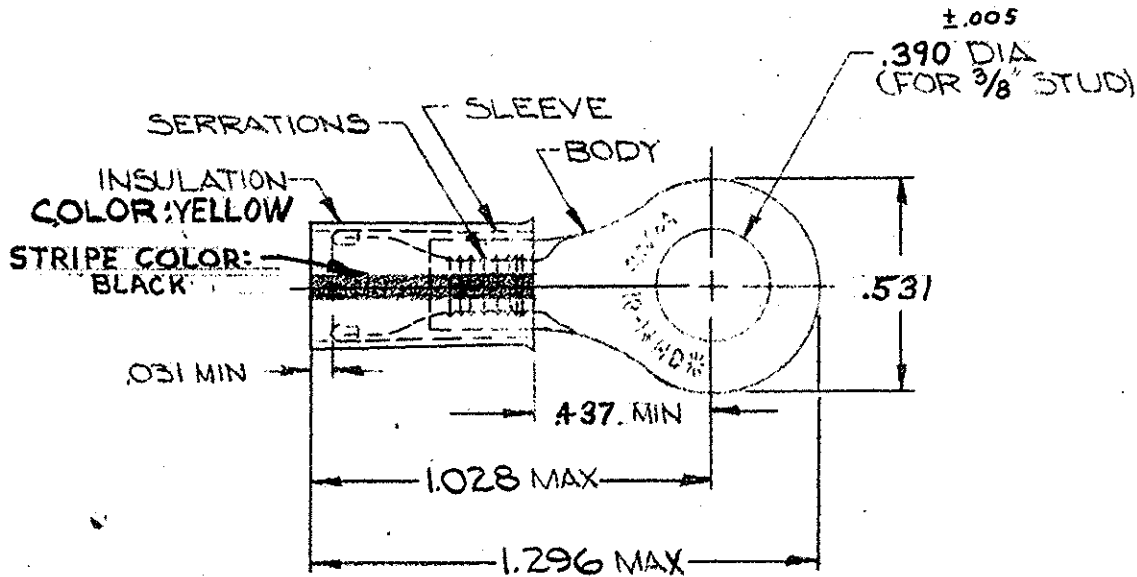


© 1964 BY AMP INCORPORATED. ALL RIGHTS RESERVED. AMP PRODUCTS COVERED BY PATENTS AND/OR PATENTS PENDING.

REVISIONS			
LTR	DESCRIPTION	DATE	APPROVED
A	REDRAWN & REVISED ECN P-5876	2-17-69	RHW
B	REVISED B-630	3-15-71	RY
C	REVISED ECN P-6932	3-14-73	Qme
D	REVISED PER CG3A-0214-02	4/19/02	DR
E	REV PER ECR 05-006823 & 007199	7/21/05	DR/SM



- 1 TONGUE MATERIAL THK = .048<sup>±.002</sup>
- 2 FOR .150 TO .230 WIRE INSULATION DIA

2,500	WIRE TERMINAL ON TAPE	330896-2	SAME AS 330896
500	WIRE TERMINAL	330896	INSULATION: NYLON (MIL-M-20693) TYPE I. SLEEVE: COPPER (QQ-C-576) TIN PL (MIL-T-10727) BODY: COPPER (QQ-C-576) TIN PL (MIL-T-10727)
QTY	DESCRIPTION	PART NO.	MATERIAL & FINISH

UNLESS OTHERWISE SPECIFIED DIMENSIONS ARE IN INCHES TOLERANCES ON: DECIMALS ±.008 ANGLES ± 5°	CONTRACT NO. ---#---		<b>AMP</b>	AMP INCORPORATED HARRISBURG, PENNSYLVANIA		
	DR. <i>Stevens/Kant</i> 1-31-69			NAME WIRE TERMINAL PIDG -RING TONGUE WIRE SIZE: 16-14 H.D.		
	CHK. <i>R. Wolfe</i> 2-17-69		SIZE		CODE IDENT NO.	NUMBER
	APPD. <i>Swabel</i> 2-25-69		A		00779	330896
	REL. <i>Am Ensminger</i> 2/24/69		SCALE(S)		SHEET 1 OF 1	
MATERIAL SEE TABLE	DSGN APPD	OTHER APPD				