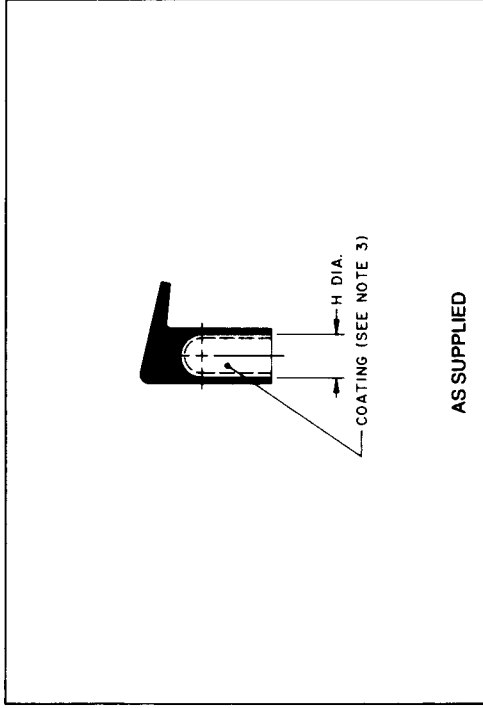


Thermofit® Molded Parts Specification Control Drawing

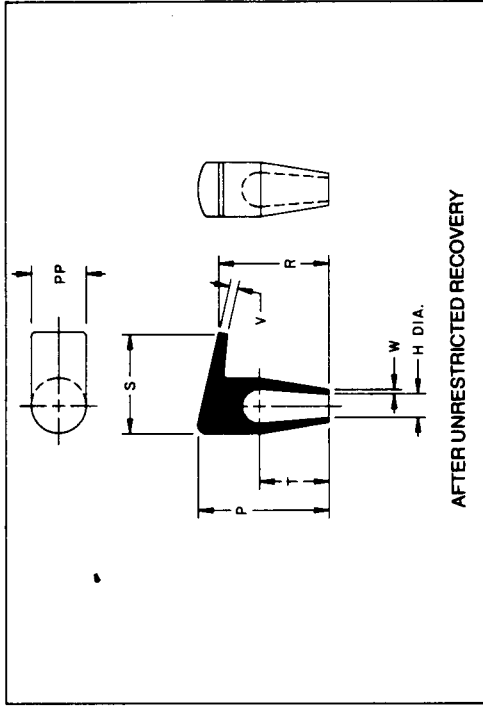
Part Number: 102A992
Description: Switch Cover

Notes:

- All dimensions are in $\frac{\text{Inches}}{\text{[Millimeters]}}$
- Dimensions appearing in table are as follows:
a - as supplied
b - after unrestricted recovery
- Coating is optional. As supplied dimensions appearing in table are for uncoated parts. When coating is added, entry diameters will be reduced by .06 max.
- This part fits MS 24523 switch or equivalent shaped bat handle switch.
- Standard color is grey. Other colors available upon request.



AS SUPPLIED



AFTER UNRESTRICTED RECOVERY

Table of Dimensions

Part Number	H		P ±10% b	R ±10% b	S Ref b	T ±10% b	PP ±10% b	V ±20% b	W ±10% b	Weight Norm
	Min a	Max b								
102A992	.30 [7.6]	.18 [4.6]	.92 [23.4]	.76 [19.3]	.70 [17.8]	.47 [11.9]	.38 [9.7]	.06 [1.52]	.04 [1.02]	.002 [1.0]

Raychem

Raychem Corporation
300 Constitution Drive
Menlo Park, California 94025
415) 361 6055

Revision: **B**
Date: **3-8-90**

Part Number: 102A992
Description: Switch Cover

Thermofit® Molded Parts Specification Control Drawing

Part Number: 102A992
Description: Switch Cover

Compatibility Chart					
Material Dash No.	Material Description	RT Spec	Coating Slash No.	Coating S No.	Coating Description
-3	Polyolefin, Semi-Rigid	RT-301	/42	S-1017	Adhesive

Ordering Information:

102A992 - X - XX / XX

Base part number _____

Material dash number _____
(see compatibility chart)

Modification number _____
(if necessary, see front of SCD binder
for a complete modification list)

Adhesive slash number _____
(if necessary, see compatibility chart)

This drawing is subject to change without notice; consult your nearest field representative for current revision.

Raychem
Raychem Corporation
300 Constitution Drive
Menlo Park, California 94025
415) 361 6055

Revision: **B**
Date: **3-8-90**

Part Number: 102A992
Description: Switch Cover