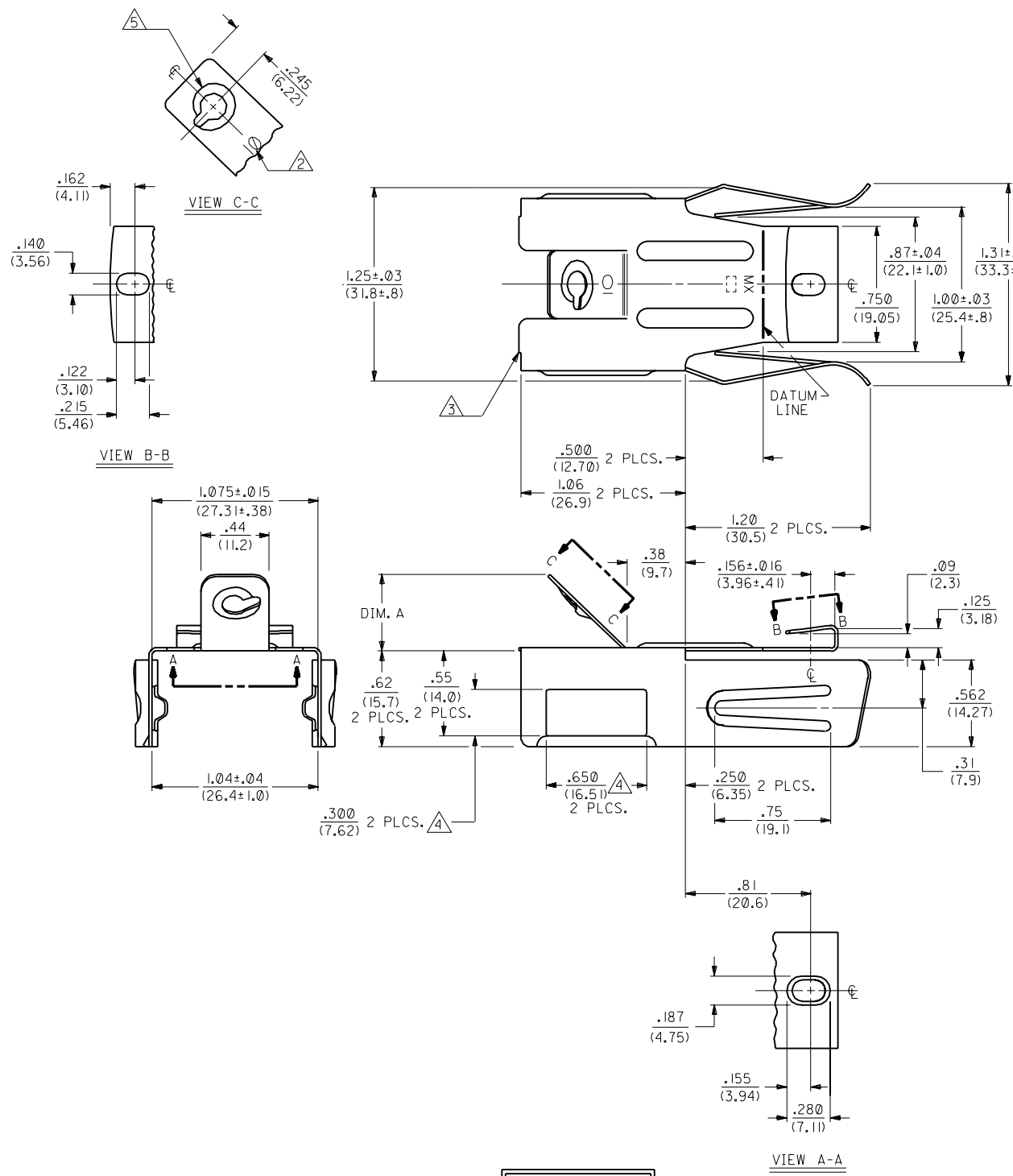


NOTES:

- 1. THESE MOUNTING CLIPS ARE FOR HOLDING THE 2481 SERIES HOUSINGS TO THE MAIN PANEL TOPS OF ELECTRIC RANGES.
- △1 SCREW SIZE INDICATION.
- △3 .015/(.38) MAXIMUM CUT OFF.
- △4 .010/(.25) MAXIMUM MISMATCH.
- △5 THREAD FORM FOR A #10-32 SCREW.
- △6 THIS SURFACE MAY BE FORMED IN THIS DIRECTION A MAXIMUM OF 5°.



2589-ID-10

MATERIAL:

STEEL, STAINLESS, TYPE 301, .020/(.51) THICK.

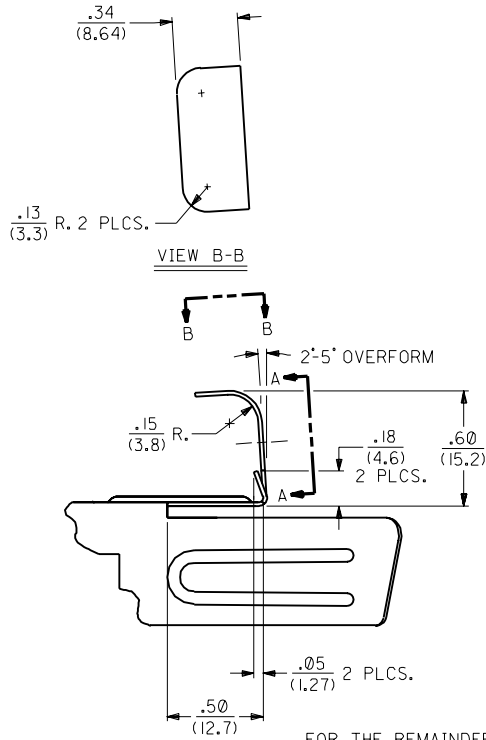
AC	OBSOLETE P/N	UCR2002-0255	01/9/12	COMERCI
AB2	REMOVED NOTCH	UCR2000-0104	8/11/99	COMERCI
AB1	REV. RADII	UCR2000-0086	8/05/99	COMERCI
AB	REVISED	UCR 1999-0818	6/03/99	ELHAG
AA	REVISED	ECN U4 0744	6/16/94	RHR
Z	REVISED	ECN U4 0213	2/14/94	RHR
Y	REVISED	ECN U3 0739	5/13/93	RHR
X	REDRAWN & REDIM.	ECN U2 1712	11/25/92	RHR

3	AB
2	Z
1	AC

DIMENSIONS SHOWN (METRIC) INCH UNLESS OTHERWISE SPECIFIED TOLERANCES ANGULAR ± 1/16° 5°		▽ = 0	▼ = 0	REVISE ONLY ON CAD SYSTEM								
<table border="1"> <tr> <th>INCH</th> <th>METRIC</th> </tr> <tr> <td>3 PLACE ± .010</td> <td>---</td> </tr> <tr> <td>2 PLACE ± .014</td> <td>± 0.25</td> </tr> <tr> <td>1 PLACE ---</td> <td>± 0.35</td> </tr> </table>		INCH	METRIC	3 PLACE ± .010	---	2 PLACE ± .014	± 0.25	1 PLACE ---	± 0.35	TITLE MOUNTING CLIP		
INCH	METRIC											
3 PLACE ± .010	---											
2 PLACE ± .014	± 0.25											
1 PLACE ---	± 0.35											
DRAFT WHERE APPLICABLE MUST REMAIN WITHIN DIMENSIONS		PART NO. SD2589X1										
DRAWN BY RHR		DRWG. NO. SD-2589-*										
CHK'D BY ESS		SHEET NO. 1 of 3										
APP'D BY RAS		DATE 11/20/92										
SCALE 2: 1		MOLEX INCORPORATED U.S.A. 1515E, ILL. 60532										
THIS DRAWING CONTAINS INFORMATION THAT IS PROPRIETARY TO MOLEX INC. AND SHOULD NOT BE USED WITHOUT WRITTEN PERMISSION.		DIV. CP										

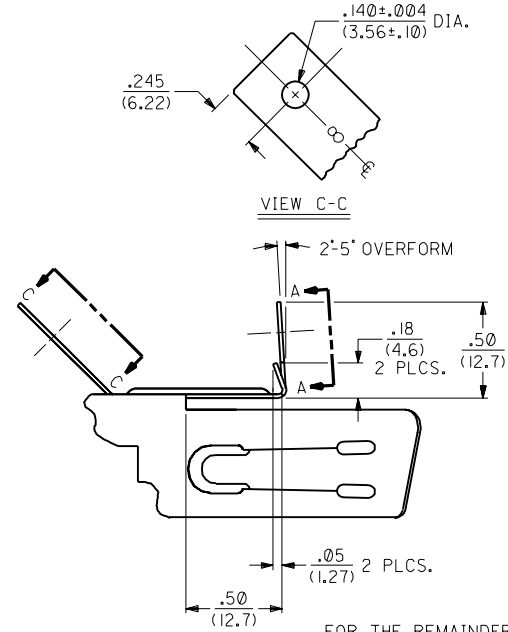
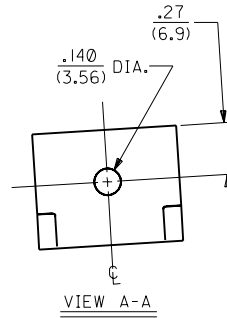


PART NO.	ENG. NO.	DIMENSION	
		A	
089-00-2006	2589-ID-10	.48±.025 (12.2±.64)	
089-00-2022	2589-2C	.53±.025 (13.5±.64)	
089-00-2025	2589-2H	.656±.025 (16.66±.64)	
089-00-2027	2589-2J-10	.562±.025 (14.27±.64)	
089-00-2041	2589-3B	.48±.025 (12.2±.64)	
089-00-2047	2589-6F	.375±.015 (9.53±.38)	
089-00-2100	2589-10C	.48±.025 (12.2±.64)	
089-00-2101	2589-21A	.62±.025 (15.7±.64)	<b>OBSOLETE</b>
089-00-2103	2589-23	.62±.025 (15.7±.64)	



FOR THE REMAINDER  
OF DIMENSIONS AND  
DETAILS SEE SHEET I

**2589-23**



FOR THE REMAINDER  
OF DIMENSIONS AND  
DETAILS SEE SHEET I

**2589-21A** **OBSOLETE**

LTR.		REVISIONS		LTR.		REVISIONS	
		AA	SEE SHEET I				
		Z	SEE SHEET I				
AB	SEE SHEET I	X	SEE SHEET I				

DIMENSIONS SHOWN (METRIC) INCH UNLESS OTHERWISE SPECIFIED TOLERANCES: ANGULAR ± .5°		▽ = 0 ▼ = 0		REVISE ONLY ON CAD SYSTEM	
INCH METRIC 3 PLACE ± .010 --- 2 PLACE ± .014 ± 0.25 1 PLACE --- ± 0.35		TITLE <b>MOUNTING CLIP</b>			
DRAFT WHERE APPLICABLE MUST REMAIN WITHIN DIMENSIONS		MOLEX INCORPORATED U.S.A.		SHEET NO. 3 DATE 2/24/93	
DRAWN BY RHR CHK'D BY ESS		SEE CHART		SD-2589-*	
APP'D BY RAS SCALE 2: 1		FILE NAME SD2589X3 BGV		DIV. CP	

MFG. SH. REV.

SIZE CP C