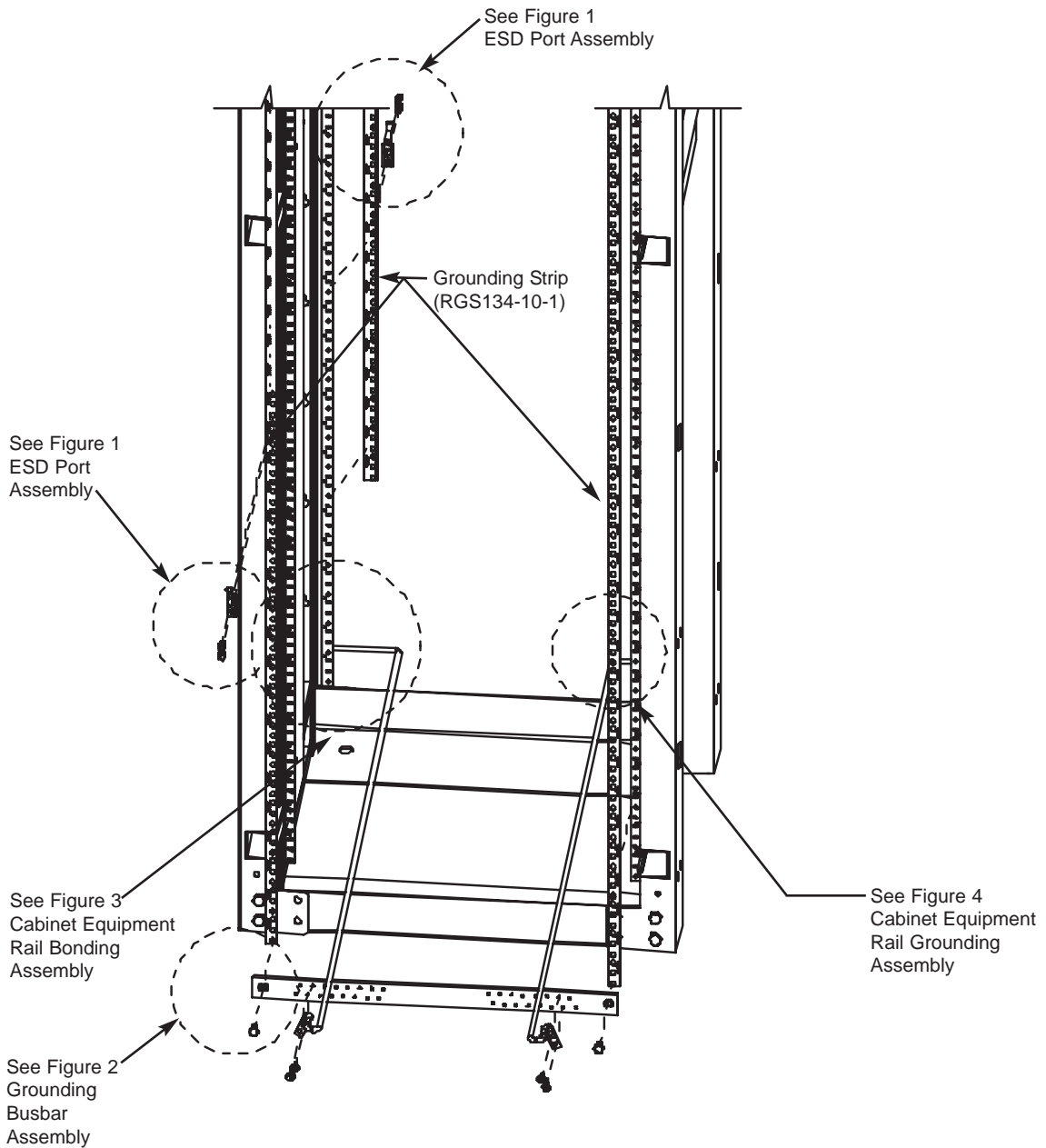


INSTALLATION INSTRUCTIONS T-PMPI-268-PC

©Panduit Corp. 2005



General Assembly Notes

1. Clean all mating surfaces prior to installation using the provided cleaning pad.
2. Apply a very thin layer of anti-oxidizing paste (provided) to all mating surfaces prior to installation.
3. All M6 Thread Forming Screws are to be fastened using a 7mm socket wrench and an installation torque of 35 in-lbs.
4. All 1/4-20 Bolts are to be fastened using a 7/16" socket wrench and an installation torque of 7 ft-lbs.

INSTALLATION INSTRUCTIONS T-PMPI-268-PC

©Panduit Corp. 2005

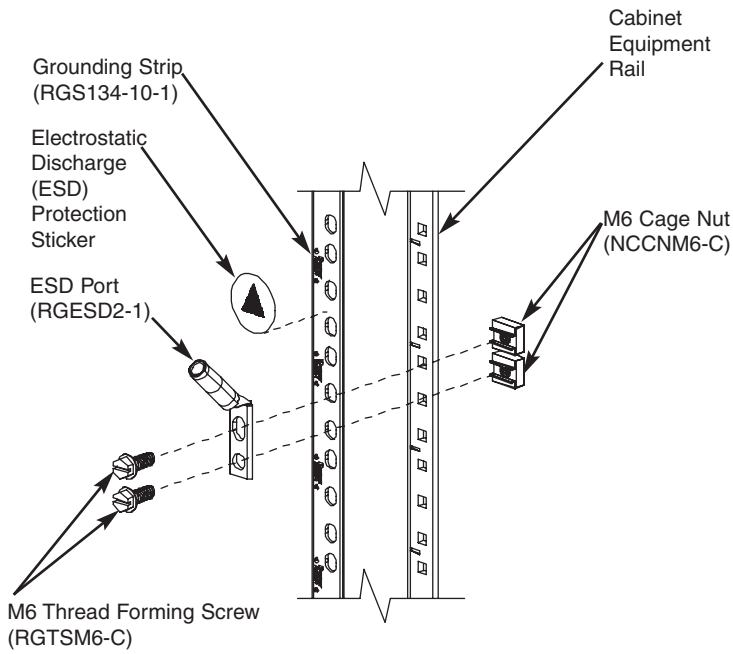


Figure 1. ESD Port Assembly

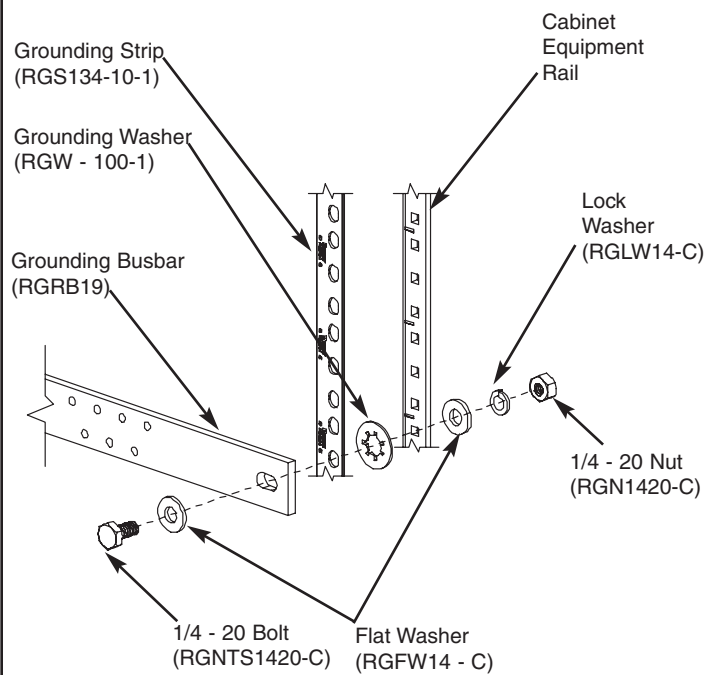


Figure 2. Grounding Busbar Assembly

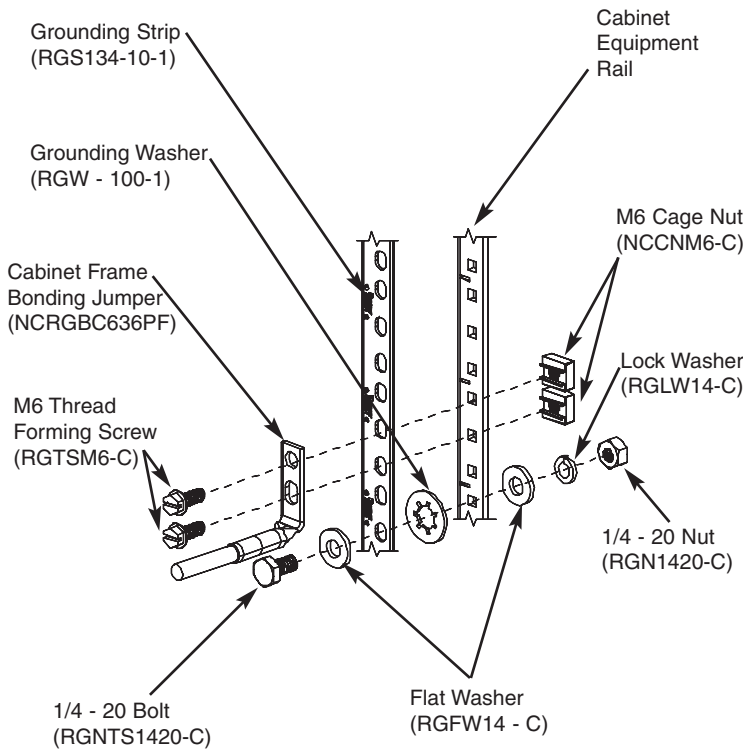


Figure 3. Cabinet Equipment Rail Bonding Assembly

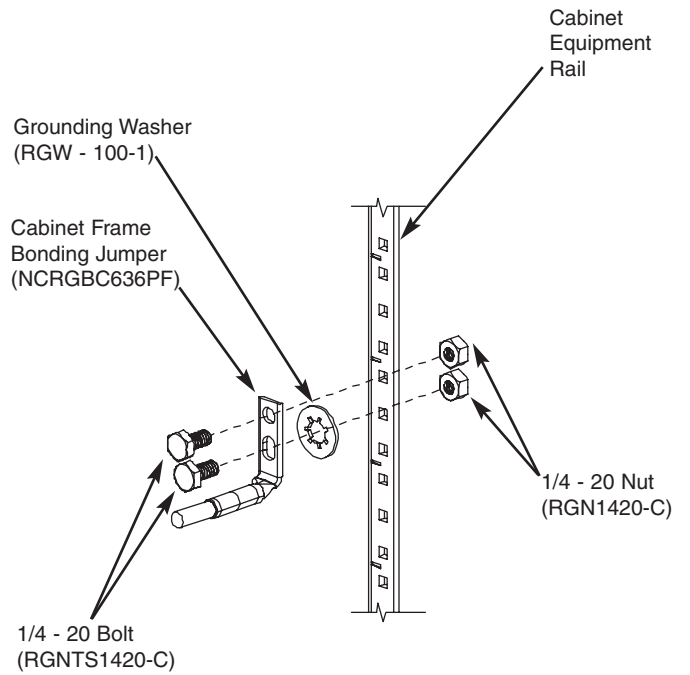


Figure 4. Cabinet Equipment Rail Grounding Assembly

For Instructions in Local Languages and Technical Support:

http://www.panduit.com/resources/install_maintain.asp



www.panduit.com

E-mail: cs@panduit.com

Fax: (815)485-5839