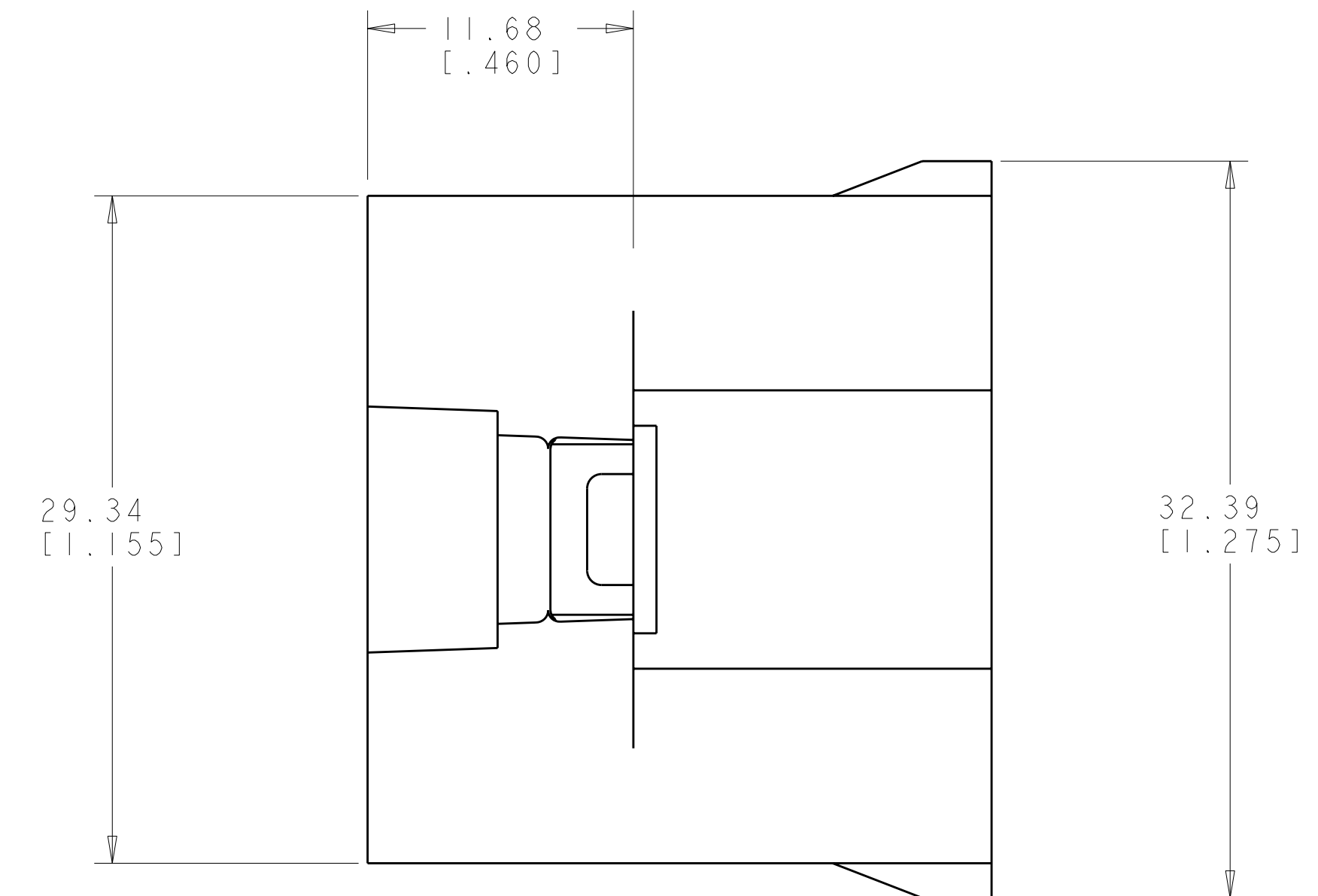


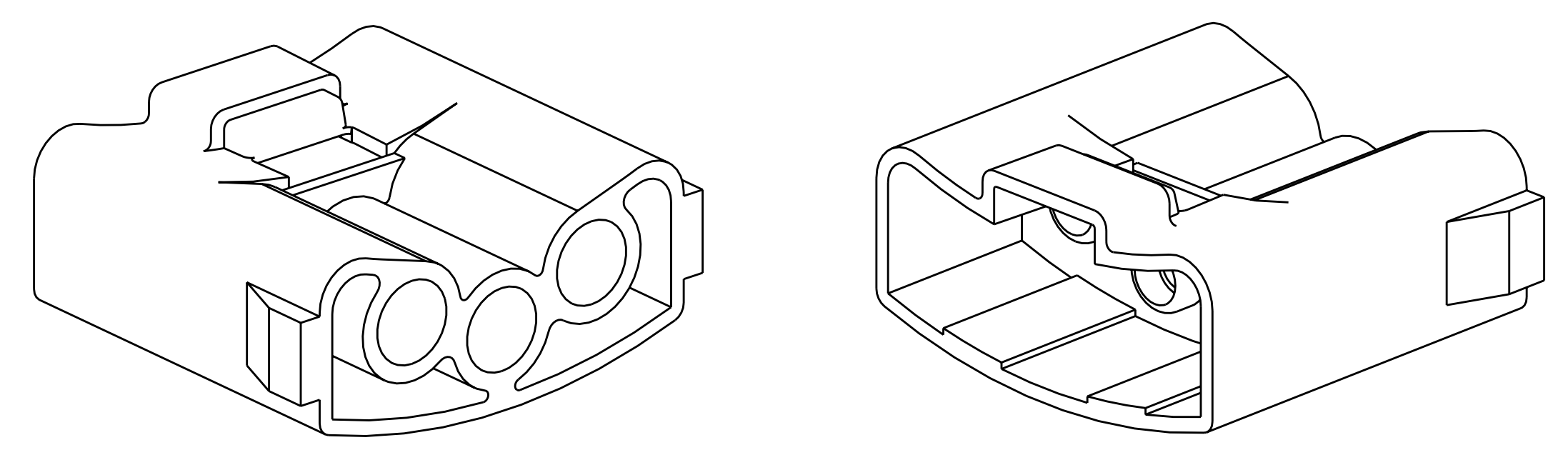
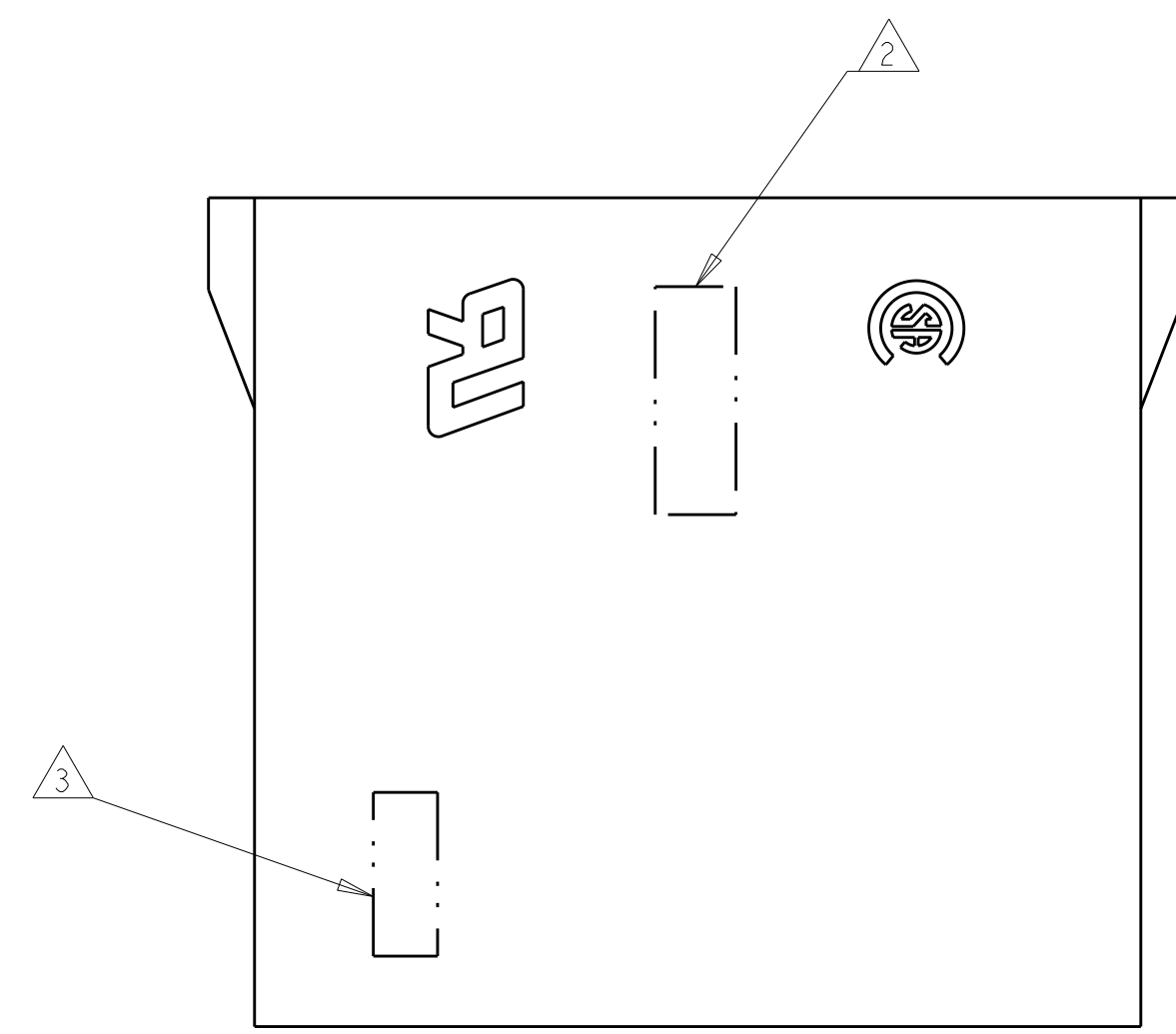
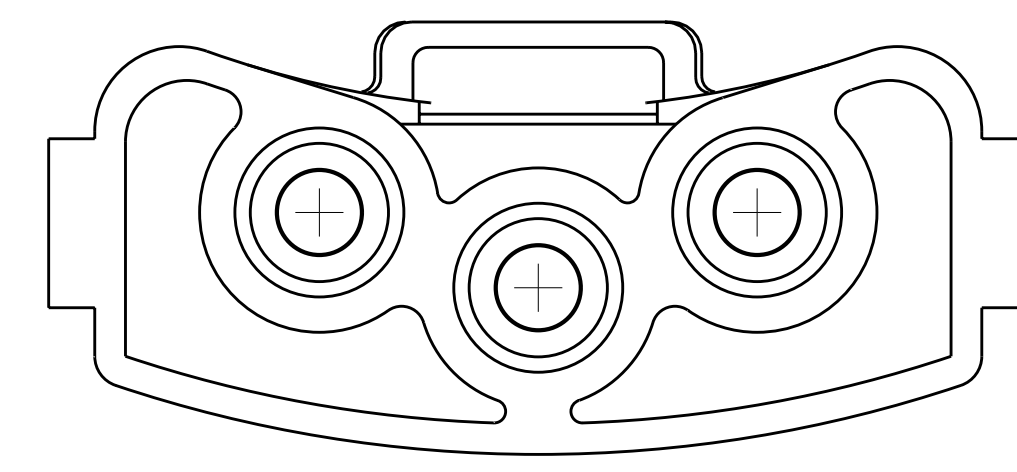
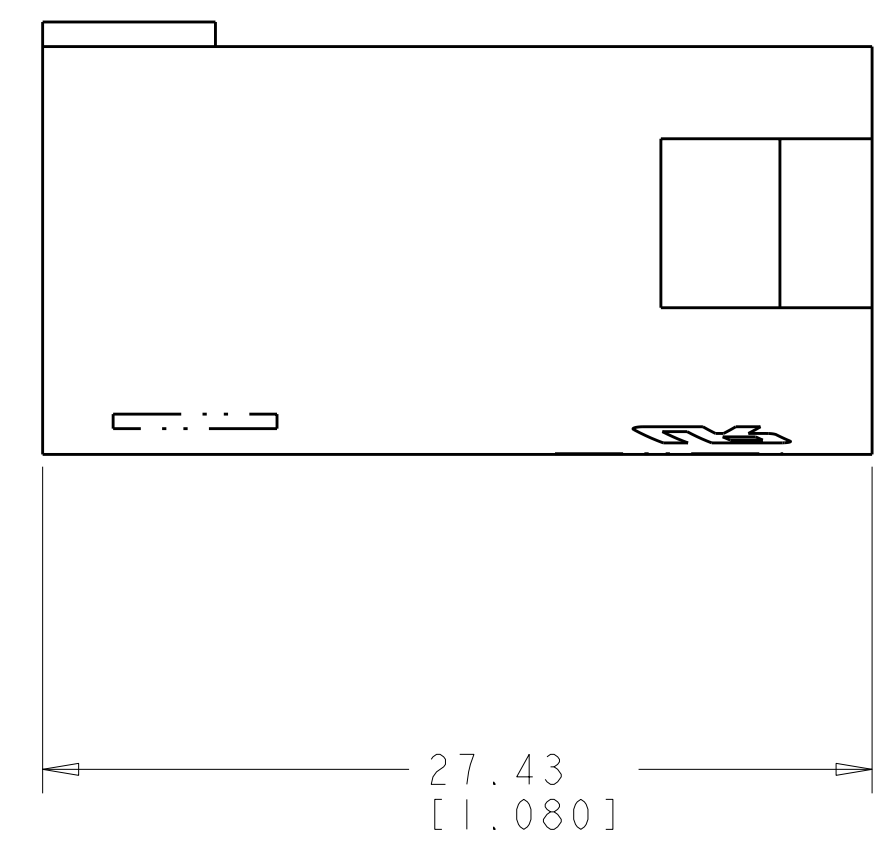
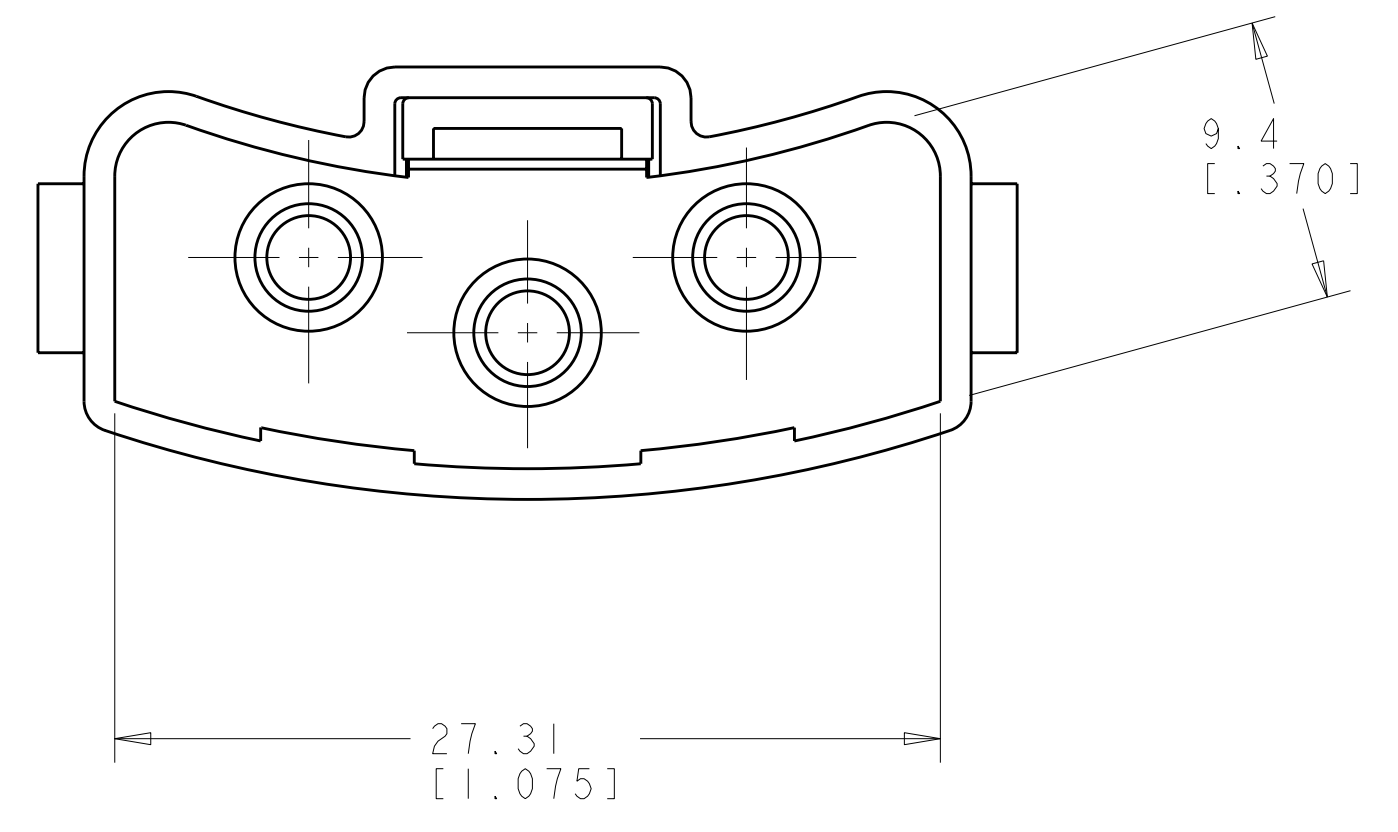
LOC	DIST	REVISIONS					
CM	00	P	LTB	DESCRIPTION	DATE	DWN	APVD
		D		REVISED PER 063B-0557-04	30JUN04	KW	SR
		D1		REVISED PER ECO-06-008785	25APR06	KW	SR



1. THE DIMENSIONS OF THIS CONNECTOR ARE CONTROLLED BY THE MATING PART 770855. BOTH CONNECTOR'S DIMENSIONING ARE BASED ON A FAN MOTOR MANUFACTURED BY G.E. MOTORS. NO DIMENSIONAL CHANGES ON EITHER PART MAY OCCUR WITHOUT CONSULTING G.E. MOTORS.

2. TRADEMARK LOCATION (AMP OR TYCO).

3. MANUFACTURING LOCATION ID (OPTIONAL).



3 DIMENSIONAL VIEW  
 SCALE 3:1



794099-1  
 PART NUMBER

<small>THIS DRAWING IS UNPUBLISHED. RELEASED FOR PUBLICATION BY TYCO ELECTRONICS CORPORATION. ALL RIGHTS RESERVED.</small>		DWN: K. WHITAKER 06DEC2001 CHK: S. RIDGILL 06DEC2001 APVD: S. RIDGILL 06DEC2001	<b>tyco</b> Electronics Tyco Electronics Harrisburg, PA 17105-3608
DIMENSIONS: mm [ INCHES ]	TOLERANCES UNLESS OTHERWISE SPECIFIED: 9 PLC ± 1 PLC ±0.13 (1.005) 5 PLC ± 4 PLC ± ANGLES ±40° 30'	NAME: HOUSING, 3 POSITION, FAN MOTOR CONNECTOR MATE, UNIVERSAL MATE-N-LOK(TM) PRODUCT SPEC: APPLICATION SPEC:	SIZE: A   CAGE CODE: 00779   DRAWING NO: C=794099 WEIGHT: - FINISH: -
MATERIAL: NYLON UL94V-2, NATURAL		CUSTOMER DRAWING	RESTRICTED TO: - SCALE: 4:1   SHEET: 1 OF 1   REV: D1